



Chipsmall Limited consists of a professional team with an average of over 10 year of expertise in the distribution of electronic components. Based in Hongkong, we have already established firm and mutual-benefit business relationships with customers from,Europe,America and south Asia,supplying obsolete and hard-to-find components to meet their specific needs.

With the principle of “Quality Parts,Customers Priority,Honest Operation,and Considerate Service”,our business mainly focus on the distribution of electronic components. Line cards we deal with include Microchip,ALPS,ROHM,Xilinx,Pulse,ON,Everlight and Freescale. Main products comprise IC,Modules,Potentiometer,IC Socket,Relay,Connector.Our parts cover such applications as commercial,industrial, and automotives areas.

We are looking forward to setting up business relationship with you and hope to provide you with the best service and solution. Let us make a better world for our industry!



Contact us

Tel: +86-755-8981 8866 Fax: +86-755-8427 6832

Email & Skype: info@chipsmall.com Web: www.chipsmall.com

Address: A1208, Overseas Decoration Building, #122 Zhenhua RD., Futian, Shenzhen, China



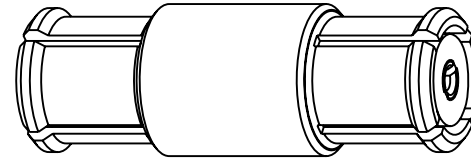
(NOTES:

1. MATERIALS AND FINISHES:
 - BODY - BeCu, GOLD PLATING, .000030 [0.8] THICK OVER NICKEL
 - CONTACT - BeCu, GOLD PLATING, .000030 [0.8] THICK OVER NICKEL
 - INSULATOR - PTFE
2. ELECTRICAL:
 - A. IMPEDANCE: 50 OHM
 - B. FREQUENCY RANGE: DC - 26.5 GHz
 - C. VSWR(RETURN LOSS): 1.2 (20.8 dB), MAX. DC-10GHz
1.4 (15.6 dB), MAX. 10-18GHz
1.5 (14 dB), MAX. 18-26.5GHz
 - D. DIELECTRIC WITHSTANDING VOLTAGE: 500 VRMS, MIN.
3. PHYSICAL:
 - A. DURABILITY: 100 CYCLES MIN.
 - B. ENGAGEMENT FORCE: 15 LB [67 N] MAX
 - C. DISENGAGEMENT FORCE: 2 LB [9 N] MIN
 - E. TEMPERATURE RANGE: -65° C TO 165° C
4. SINGLE PACKAGING:
 - A. QUANTITY: SINGLE PACK
 - B. MARKING: AMPHENOL, SMP-FSBA-990, YYWW
5. BULKPACK AS FOLLOWS:
 - A. QUANTITY: 100 PER BAG
 - B. MARK BAG OR TAG "SMP-FSBA-990B, QTY 100 & YYWW"

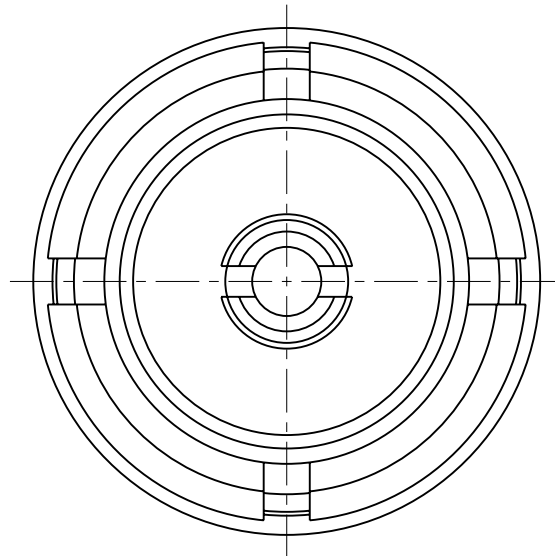
THIRD ANGLE PROJ.

REVISIONS

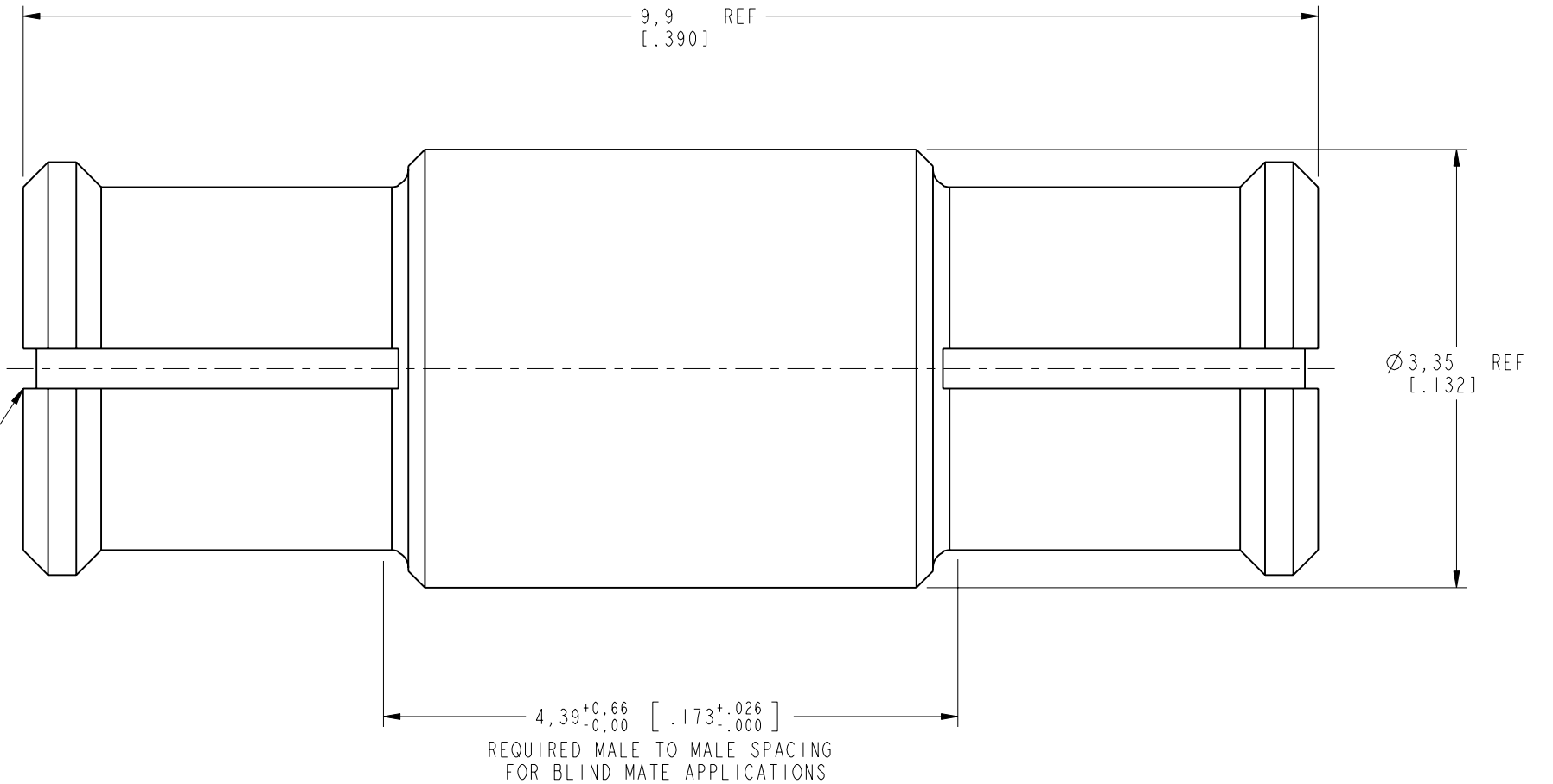
REV	DESCRIPTION	DATE	ECO	APPR
A	RELEASE TO MFG	2/13/03	44371	CPM
B	SEE SHEET 1	5/9/03	44466	CPM
C	CONTACT WAS CHANGED \RD-DM05072502R	07-25-05'		SH
D	SYNCH THE DRAWING WITH DANBURY \RD-DM11072801R3	23-Aug-11	48711	SH



SCALE 6.000



INTERFACE PER
MIL-STD-348
SERIES SMP
(BOTH SIDES)



PART NUMBER	PACKAGING	REF NOTE
SMP-FSBA-990	1 PER BAG	NOTE 4
SMP-FSBA-990B	100 PER BAG	NOTE 5

CUSTOMER OUTLINE DRAWING
ALL OTHER SHEETS ARE FOR INTERNAL USE ONLY

UNLESS OTHERWISE SPECIFIED, DIMENSIONS ARE IN METRIC AND TOLERANCES ARE: <0.5mm ±0.05mm 0.5 - 6mm ±0.1mm 6 - 30mm ±0.2mm 30 - 120mm ±0.3mm ANGLES ±1°	MATERIAL	DRAWN R. MAO	DATE 16-Aug-11	TITLE SMP BULLET ADAPTER FEMALE TO FEMALE	Amphenol RF www.amphenolrf.com
	REFERENCE GEN# ASSYF4_SMP EAR# 866 615X-1783	ENGINEER OWEN BARTHELMES	DATE 2/13/03		
NOTICE - These drawings, specifications, or other data (1) are, and remain the property of Amphenol corp. (2) must be returned upon request; and (3) are confidential and not to be disclosed to any person other than those to whom they are given by Amphenol Corp. the furnishing of these drawings, specifications, or other data by Amphenol Corp., or to any other person to anyone for any purpose is not to be regarded by implication or otherwise in any manner licensing, granting rights to permitting such holder or any other person to manufacture, use or sell any product, process or design, patented or otherwise, that may in any way be related to or disclosed by said drawings, specifications, or other data.	FINISH	APPROVED S. HSIEH	DATE 16-Aug-11	SCALE: 20.0:1.0 SHEET 2 OF 2	ITEM NO. SMP-FSBA-990X
		CAD FILE			DWG SIZE B
					PART NO. SMP-FSBA-990-X