



Chipsmall Limited consists of a professional team with an average of over 10 year of expertise in the distribution of electronic components. Based in Hongkong, we have already established firm and mutual-benefit business relationships with customers from,Europe,America and south Asia,supplying obsolete and hard-to-find components to meet their specific needs.

With the principle of “Quality Parts,Customers Priority,Honest Operation,and Considerate Service”,our business mainly focus on the distribution of electronic components. Line cards we deal with include Microchip,ALPS,ROHM,Xilinx,Pulse,ON,Everlight and Freescale. Main products comprise IC,Modules,Potentiometer,IC Socket,Relay,Connector.Our parts cover such applications as commercial,industrial, and automotives areas.

We are looking forward to setting up business relationship with you and hope to provide you with the best service and solution. Let us make a better world for our industry!



Contact us

Tel: +86-755-8981 8866 Fax: +86-755-8427 6832

Email & Skype: info@chipsmall.com Web: www.chipsmall.com

Address: A1208, Overseas Decoration Building, #122 Zhenhua RD., Futian, Shenzhen, China



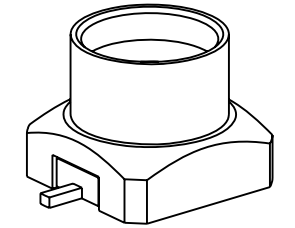
NOTES:

1. MATERIALS AND FINISHES:
 - BODY - BRASS, GOLD PLATING, .000030" [0.8 MICRO-METER] THICK OVER NICKEL
 - CONTACT - BRASS, GOLD PLATING, .000030" [0.8 MICRO-METER] THICK OVER NICKEL
 - INSULATOR - LCP
2. ELECTRICAL:
 - A. IMPEDANCE: 50 OHM
 - B. FREQUENCY RANGE: DC - 18 GHz
 - C. VSWR(RETURN LOSS): 1.10 (26.4 dB), MAX. DC-6GHz
 1.15 (23.1 dB), MAX. 6-10GHz
 1.30 (17.7 dB), MAX. 10-18GHz
 - D. DIELECTRIC WITHSTANDING VOLTAGE: 500 VRMS, MIN.
3. PHYSICAL:
 - A. DURABILITY: 500 CYCLES MIN.
 - B. ENGAGEMENT FORCE: 10 LBS [45 N] MAX
 - C. DISENGAGEMENT FORCE: 2 LBS [9 N] MIN
 - D. INNER CONTACT RETENTION FORCE: 1.5 LB [7 N] MIN
 - E. TEMPERATURE RANGE: -65° C TO +165° C
4. PACKAGING:
 - A. PACKAGE CONNECTOR AS PER ROUTING INSTRUCTIONS.
 - B. MARK BAG OR TAG "SMP-MSLD-PCS, AND DATE CODE"

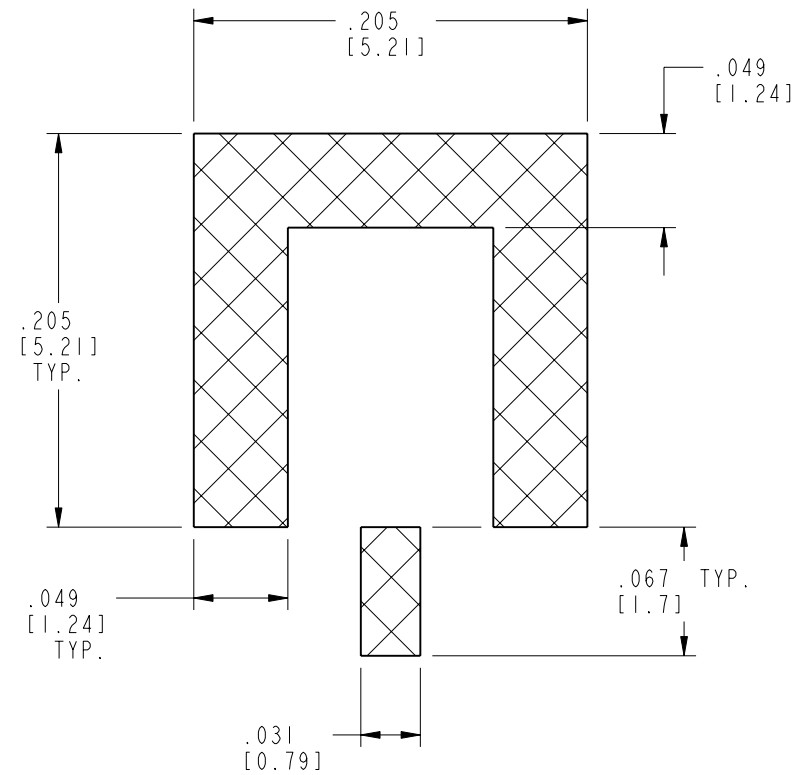
THIRD ANGLE PROJ.

REVISIONS

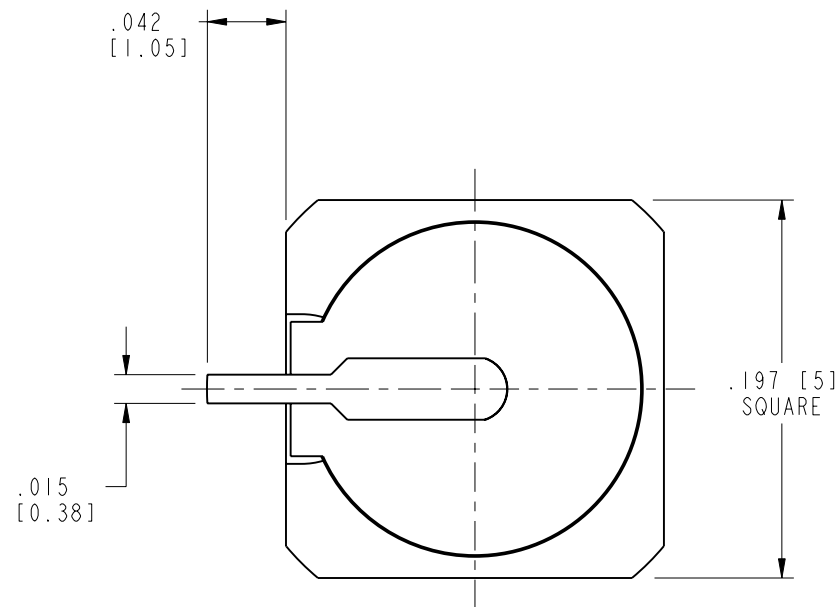
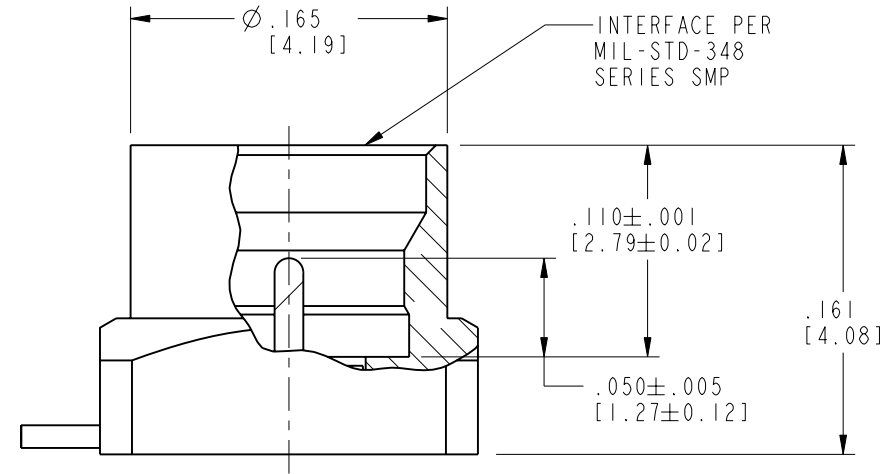
REV	DESCRIPTION	DATE	ECO	APPR
A	RELEASE TO MFG	3/2/05	45426	MAH
B	INSULATOR WAS CHANGED	07-May-07	---	ANGELA
C	SYNCH THE DRAWING WITH DANBURY	07-Nov-12	49307	SH
D	1.27±0.12 WAS 1.30±0.12\RD-DMI3091001J8	24-Sep-13	49741	MD



SCALE 5.000



RECOMMENDED PCB FOOTPRINT
SCALE 10.000



CUSTOMER OUTLINE DRAWING

ALL OTHER SHEETS ARE FOR INTERNAL USE ONLY

UNLESS OTHERWISE SPECIFIED, DIMENSIONS ARE IN INCHES AND TOLERANCES ARE: 2 PLACE DECIMAL 3 PLACE DECIMAL ANGLES ±.015 (0,381 mm) ±.005 (0,127 mm) ± 1°	MATERIAL	DRAWN H. PARIKH	DATE 24-Sep-13	TITLE SMP JACK, PIN CONTACT PCB RECEPTACLE LIMITED DETENT	Amphenol RF www.amphenolrf.com
	NOTICE - These drawings, specifications, or other data (1) are, and remain the property of Amphenol corp. (2) must be returned upon request; and (3) are confidential and not to be disclosed to any person other than those to whom they are given by Amphenol Corp. the furnishing of these drawings, specifications, or other data by Amphenol Corp., or to any other person to anyone for any purpose is not to be regarded by implication or otherwise in any manner licensing, granting rights to permitting such holder or any other person to manufacture, use or sell any product, process or design, patented or otherwise, that may in any way be related to or disclosed by said drawings, specifications, or other data.	REFERENCE GEN# ASSYM7_SMP 615X-1782 PREVIOUSLY SMP-MSLD-PCS-1 CONFIGURATION LEVEL: FINISH	ENGINEER H. PARIKH		
		APPROVED S. HSIEH	DATE 27-Sep-13	SCALE: 10.0:1.0 SHEET 2 OF 2	ITEM NO. SMP-MSLD-PCS
		CAD FILE		DWG SIZE B REV D	PART NO. SMP-MSLD-PCS