

Chipsmall Limited consists of a professional team with an average of over 10 year of expertise in the distribution of electronic components. Based in Hongkong, we have already established firm and mutual-benefit business relationships with customers from,Europe,America and south Asia,supplying obsolete and hard-to-find components to meet their specific needs.

With the principle of “Quality Parts,Customers Priority,Honest Operation,and Considerate Service”,our business mainly focus on the distribution of electronic components. Line cards we deal with include Microchip,ALPS,ROHM,Xilinx,Pulse,ON,Everlight and Freescale. Main products comprise IC,Modules,Potentiometer,IC Socket,Relay,Connector.Our parts cover such applications as commercial,industrial, and automotives areas.

We are looking forward to setting up business relationship with you and hope to provide you with the best service and solution. Let us make a better world for our industry!



## Contact us

Tel: +86-755-8981 8866 Fax: +86-755-8427 6832

Email & Skype: info@chipsmall.com Web: www.chipsmall.com

Address: A1208, Overseas Decoration Building, #122 Zhenhua RD., Futian, Shenzhen, China

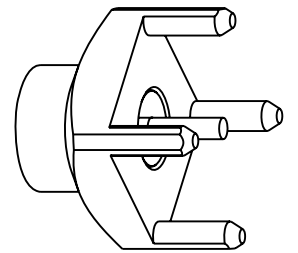
NOTES:

1. MATERIAL AND FINISH (PLATING THICKNESS IN INCHES):  
 BODY - BRASS, GOLD PLATING, .000030 [0.8 um] THICK  
 CONTACT - BRASS, GOLD PLATING, .000030 [0.8 um] THICK  
 INSULATOR - PEEK, NATURAL
2. ELECTRICAL:  
 A. IMPEDANCE: 50 OHM  
 B. FREQUENCY RANGE: DC - 6 GHz  
 C. VSWR(RETURN LOSS): 1.10 (26.4 dB), MAX. DC-2GHz  
 1.22 (20 dB), MAX. 2-6GHz  
 D. DIELECTRIC WITHSTANDING VOLTAGE: 500 VRMS, MIN.
3. PHYSICAL:  
 A. DURABILITY: 500 CYCLES MIN.  
 B. ENGAGEMENT FORCE: 9 LB [40 N] MAX  
 C. DISINGAGEMENT FORCE: 2 LB [8.8 N] MIN  
 D. INNER CONTACT RETENTION FORCE: 1.5 LB [7 N] MIN  
 E. TEMPERATURE RANGE: -65° C TO 165° C

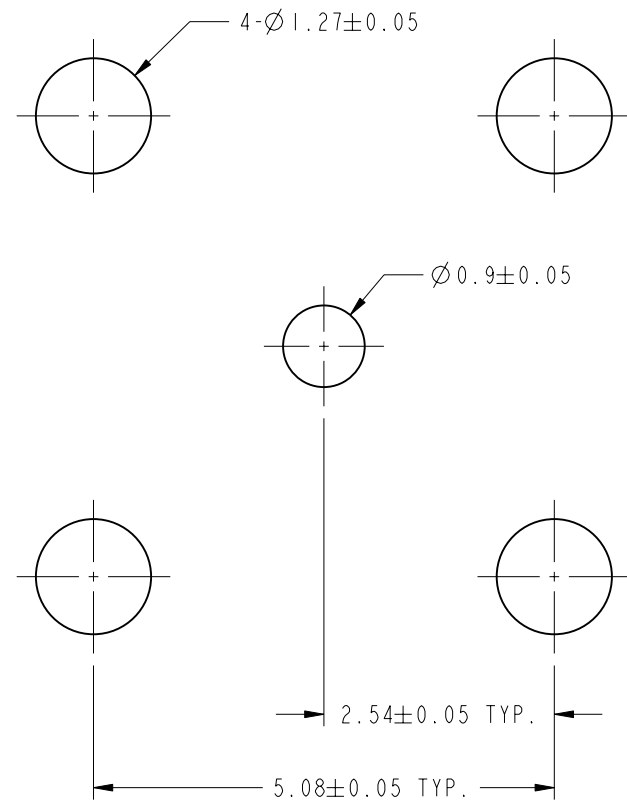
THIRD ANGLE PROJ.

REVISIONS

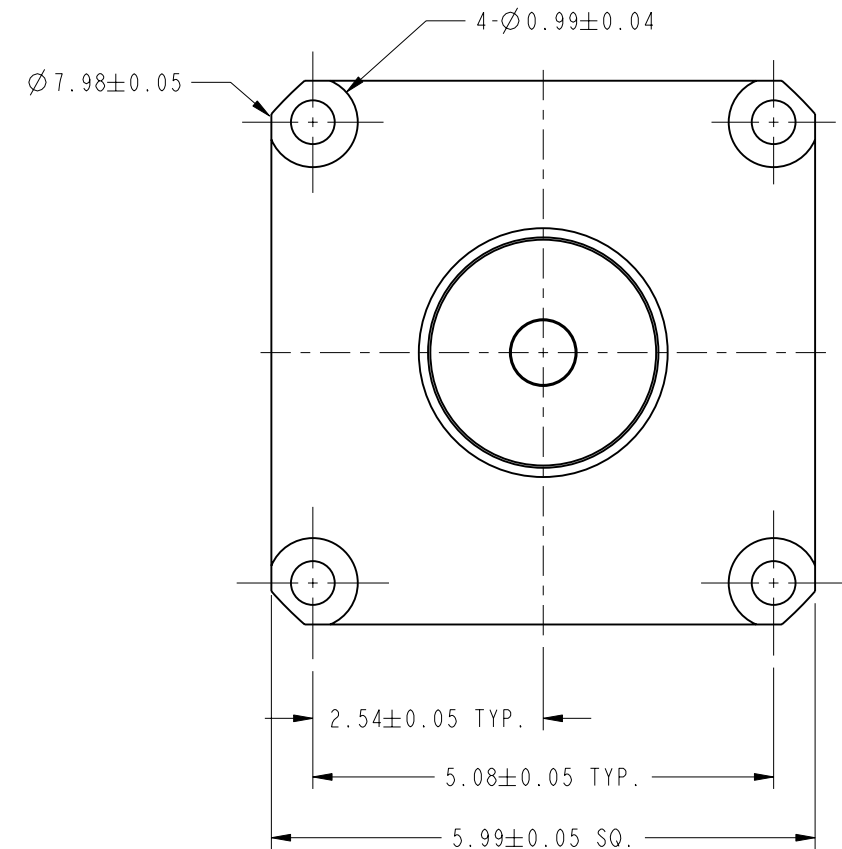
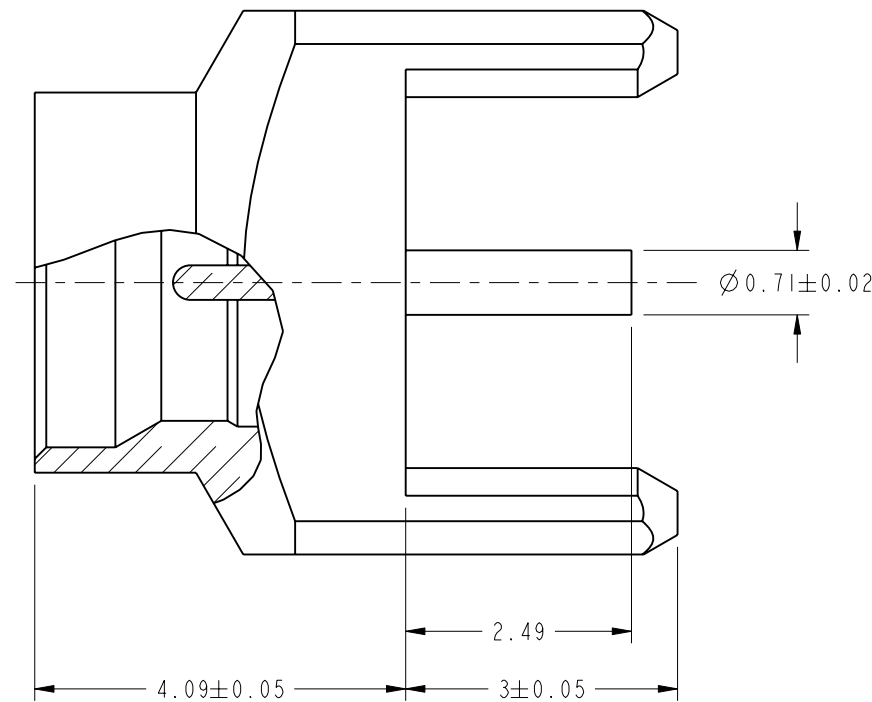
REV	DESCRIPTION	DATE	ECO	APPR
A	RELEASE TO MFG	3/2/05	45425	WAH
B	ADDED RECOMMENDED PCB\RD-DM10052601J1	01-Jun-10	48105	SH



SCALE 4.000



RECOMENDED PCB MOUNTING DIMENSIONS



**CUSTOMER OUTLINE DRAWING**

ALL OTHER SHEETS ARE FOR INTERNAL USE ONLY

UNLESS OTHERWISE SPECIFIED, DIMENSIONS ARE IN METRIC AND TOLERANCES ARE: <0.5mm ±0.05mm    0.5 - 6mm ±0.1mm    6 - 30mm ±0.2mm    30 - 120mm ±0.3mm    ANGLES ±1°	MATERIAL	DRAWN J.CHENG	DATE 01-Jun-10	TITLE SMP JACK PIN CONTACT PCB RECEPTACLE CATCHERS MIT		Amphenol RF Danbury CT USA, Tainan, Taiwan, Shenzhen, China www.amphenolrf.com
	REFERENCE EAR # 1531 AND 615X-1732	ENGINEER S.HSIEH	DATE 9/21/04			
NOTICE - These drawings, specifications, or other data (1) are, and remain the property of Amphenol corp. (2) must be returned upon request; and (3) are confidential and not to be disclosed to any person other than those to whom they are given by Amphenol Corp. the finishing of these drawings, specifications, or other data by Amphenol Corp., or to any other person to anyone for any purpose is not to be regarded by implication or otherwise in any manner licensing, granting rights to permitting such holder or any other person to manufacture, use or sell any product, process or design, patented or otherwise, that may in any way be related to or disclosed by said drawings, specifications, or other data.	CONFIGURATION LEVEL: Released	APPROVED S.HSIEH	DATE 01-Jun-10	DWG SIZE B	REV B	DRAWING NO. SMP-MSLD-PCT
	FINISH	I:\SMP\SMP-MSLD-PCT				
						PART NO. SMP-MSLD-PCT