



Chipsmall Limited consists of a professional team with an average of over 10 year of expertise in the distribution of electronic components. Based in Hongkong, we have already established firm and mutual-benefit business relationships with customers from,Europe,America and south Asia,supplying obsolete and hard-to-find components to meet their specific needs.

With the principle of “Quality Parts,Customers Priority,Honest Operation,and Considerate Service”,our business mainly focus on the distribution of electronic components. Line cards we deal with include Microchip,ALPS,ROHM,Xilinx,Pulse,ON,Everlight and Freescale. Main products comprise IC,Modules,Potentiometer,IC Socket,Relay,Connector.Our parts cover such applications as commercial,industrial, and automotives areas.

We are looking forward to setting up business relationship with you and hope to provide you with the best service and solution. Let us make a better world for our industry!



Contact us

Tel: +86-755-8981 8866 Fax: +86-755-8427 6832

Email & Skype: info@chipsmall.com Web: www.chipsmall.com

Address: A1208, Overseas Decoration Building, #122 Zhenhua RD., Futian, Shenzhen, China



NOTES:

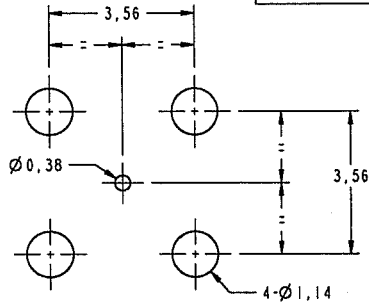
1. MATERIAL AND FINISH (PLATING THICKNESS IN MICRO-INCHES):
 BODY - PHOSPHOR BRONZE, GOLD PLATING
 CONTACT - BERYLLIUM COPPER, GOLD PLATING
 INSULATOR - PEEK, NATURAL

2. 2 X PRE-TIN SQ. LEGS AND (Ø0.28) CONTACT POST WITH 63/37 Sn/Pb SOLDER, ACHIEVING APPROX. UNIFORM THICKNESS BUILD UP. A SOLDER-FREE REGION EXTENDING NO MORE THAN 0.76 FROM PWB MATING SURFACE IS PERMISSIBLE.

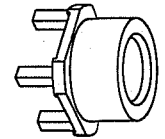
THIRD ANGLE PROJ.

REVISIONS

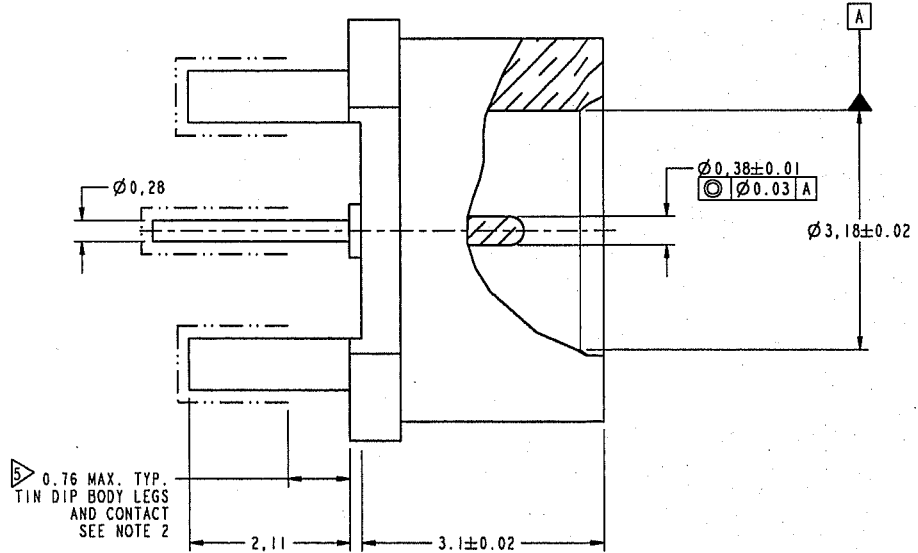
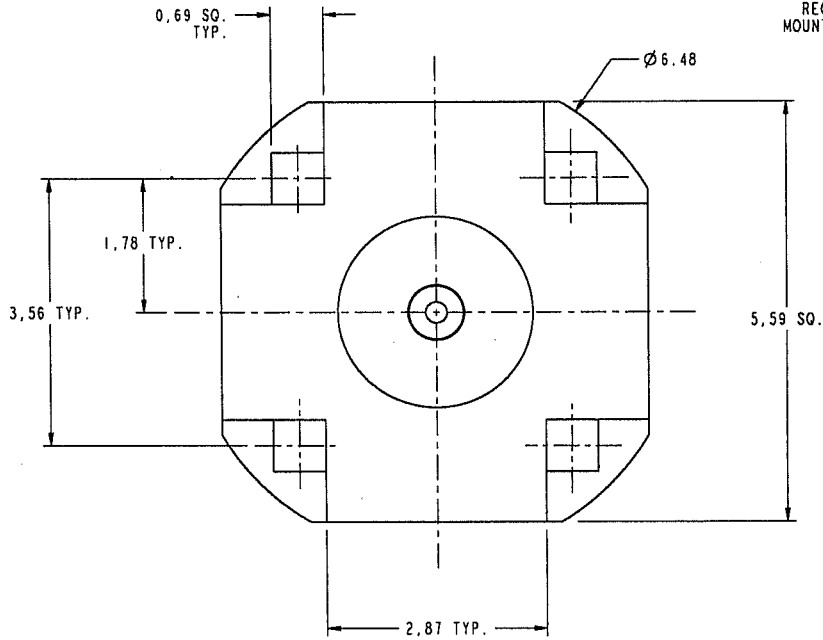
REV	DESCRIPTION	DATE	ECO	APPR
A	RELEASE TO MFG	27 Feb-08	46942	[Signature]



RECOMMENDED PCB MOUNTING DIMENSIONS



SCALE 4.000



0.76 MAX. TYP. TIN DIP BODY LEGS AND CONTACT SEE NOTE 2

CUSTOMER OUTLINE DRAWING

ALL OTHER SHEETS ARE FOR INTERNAL USE ONLY

UNLESS OTHERWISE SPECIFIED, DIMENSIONS ARE IN METRIC AND TOLERANCES ARE:
 0.5 - 6mm ±0.1mm
 6 - 30mm ±0.2mm
 30 - 120mm ±0.3mm
 ANGLES ±1°

NOTICE - These drawings, specifications, or other data (1) are, and remain the property of Amphenol Corp. (2) must be returned upon request; and (3) are confidential and not to be disclosed to any person other than those to whom they are given by Amphenol Corp. The furnishing of these drawings, specifications, or other data by Amphenol Corp., or to any other person to anyone for any purpose is not to be regarded by implication or otherwise in any manner licensing, granting rights to permitting such holder or any other person to manufacture, use or sell any product, process or design, patented or otherwise, that may in any way be related to or disclosed by said drawings, specifications, or other data.

MATERIAL	DRAWN	H. PARIKH	DATE	15-Jun-06	TITLE	SMP TYPE PCB THRU HOLES SMOOTH BORE			Amphenol RF Danbury CT USA, Tainan, Taiwan, Shenzhen, China www.amphenolrf.com	
	ENGINEER	H. PARIKH	DATE	15-Jun-06		DRAWING NO.	SMP-MSSB-PCT-4			
REFERENCE	APPROVED	M. HOYACK	DATE	1/31/08	SCALE:	15.0:1.0	SHEET	2 OF 2	ITEM NO.	SMP-MSSB-PCT-4
CONFIGURATION LEVEL: Release	CAD FILE	I:\SMP\SMP-MSSB-PCT-4			DWG SIZE	B	CODE ID	74868	REV	A
FINISH							PART NO.			SMP-MSSB-PCT-4