



Chipsmall Limited consists of a professional team with an average of over 10 year of expertise in the distribution of electronic components. Based in Hongkong, we have already established firm and mutual-benefit business relationships with customers from,Europe,America and south Asia,supplying obsolete and hard-to-find components to meet their specific needs.

With the principle of “Quality Parts,Customers Priority,Honest Operation,and Considerate Service”,our business mainly focus on the distribution of electronic components. Line cards we deal with include Microchip,ALPS,ROHM,Xilinx,Pulse,ON,Everlight and Freescale. Main products comprise IC,Modules,Potentiometer,IC Socket,Relay,Connector.Our parts cover such applications as commercial,industrial, and automotives areas.

We are looking forward to setting up business relationship with you and hope to provide you with the best service and solution. Let us make a better world for our industry!



Contact us

Tel: +86-755-8981 8866 Fax: +86-755-8427 6832

Email & Skype: info@chipsmall.com Web: www.chipsmall.com

Address: A1208, Overseas Decoration Building, #122 Zhenhua RD., Futian, Shenzhen, China



Trisil™ for telecom equipment protection

Features

- Bidirectional crowbar protection
- Voltage: range from 120 V to 320 V
- Low V_{BO} / V_R ratio
- Micro capacitance equal to 12 pF @ 50 V
- Low leakage current: $I_R = 2 \mu\text{A}$ max
- Holding current: $I_H = 150 \text{ mA}$ min.
- Repetitive peak pulse current:
 $I_{PP} = 80 \text{ A}$ (10/1000 μs)

Benefits

- Trisils are not subject to ageing and provide a fail safe mode in short circuit for better protection.
- Helps equipment meet main standards such as UL60950, IEC 950 / CSA C22.2 and UL1459.
- Epoxy meets UL94, V0.
- Package is JEDEC registered (DO-214AA).

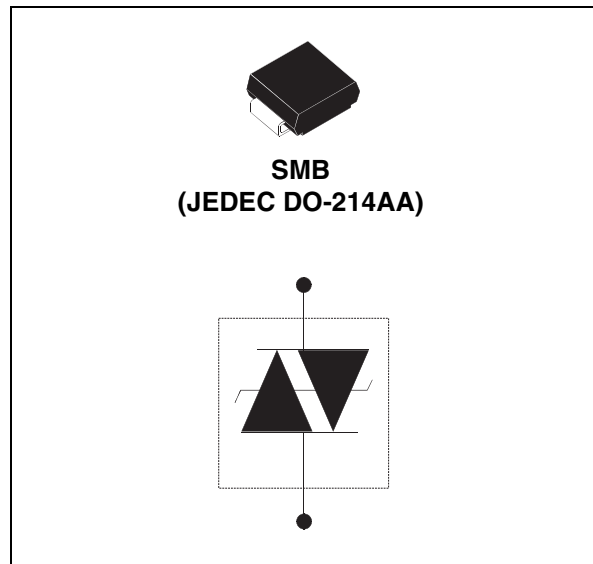
Complies with the following standards

- GR-1089 Core
- ITU-T-K20/K21
- IEC 61000-4-5
- TIA/EIA IS-968
- UL497B recognized, UL file E136224

Applications

Any sensitive equipment requiring protection against lightning strikes and power crossing:

- Terminals (phone, fax, modem...) and central office equipment



Description

The SMP80MC is a series of micro capacitance transient surge arrestors designed for the protection of high debit rate communication equipment. Its micro capacitance avoids any distortion of the signal and is compatible with digital transmission like ADSL2 and ADSL2+.

TM: Trisil is a trademark of STMicroelectronics.

1 Characteristics

Table 1. In compliance with the following standards

Standard	Peak surge voltage (V)	Waveform voltage	Required peak current (A)	Current waveform	Minimum serial resistor to meet standard (Ω)
GR-1089 Core First level	2500	2/10 μ s	500	2/10 μ s	5
	1000	10/1000 μ s	100	10/1000 μ s	2.5
GR-1089 Core Second level	5000	2/10 μ s	500	2/10 μ s	10
GR-1089 Core Intra-building	1500	2/10 μ s	100	2/10 μ s	0
ITU-T-K20/K21	6000	10/700 μ s	150	5/310 μ s	10
	1500		37.5		0
ITU-T-K20 (IEC61000-4-2)	8000	1/60 ns	ESD contact discharge		0
	15000		ESD air discharge		0
IEC61000-4-5	4000	10/700 μ s	100	5/310 μ s	0
	4000	1.2/50 μ s	100	8/20 μ s	0
TIA/EIA IS-968, lightning surge type A	1500	10/160 μ s	200	10/160 μ s	2.5
	800	10/560 μ s	100	10/560 μ s	0
TIA/EIA IS-968, lightning surge type B	1000	9/720 μ s	25	5/320 μ s	0

Table 2. Absolute ratings ($T_{amb} = 25\text{ °C}$)

Symbol	Parameter	Conditions	Value	Unit
I_{PP}	Repetitive peak pulse current (see Figure 2)	10/1000 μs	80	A
		8/20 μs	200	
		10/560 μs	100	
		5/310 μs	120	
		10/160 μs	150	
		1/20 μs	200	
		2/10 μs	250	
I_{FS}	Fail-safe mode: maximum current ⁽¹⁾	8/20 μs	5	kA
I_{TSM}	Non repetitive surge peak on-state current (sinusoidal)	t = 0.2 s	14	A
		t = 1 s	8	
		t = 2 s	6.5	
		t = 15 mn	2	
I^2t	I^2t value for fusing	t = 16.6 ms	7.5	A^2s
		t = 20 ms	7.8	
T_{stg}	Storage temperature range		-55 to 150	$^{\circ}\text{C}$
T_j	Operating junction temperature range		-40 to 150	
T_L	Maximum lead temperature for soldering during 10 s.		260	

1. In fail safe mode the device acts as a short circuit.

Table 3. Thermal resistances

Symbol	Parameter	Value	Unit
$R_{th(j-a)}$	Junction to ambient (with recommended footprint)	100	$^{\circ}\text{C/W}$
$R_{th(j-l)}$	Junction to leads	20	$^{\circ}\text{C/W}$

Figure 1. Electrical characteristics - definitions ($T_{amb} = 25\text{ °C}$)

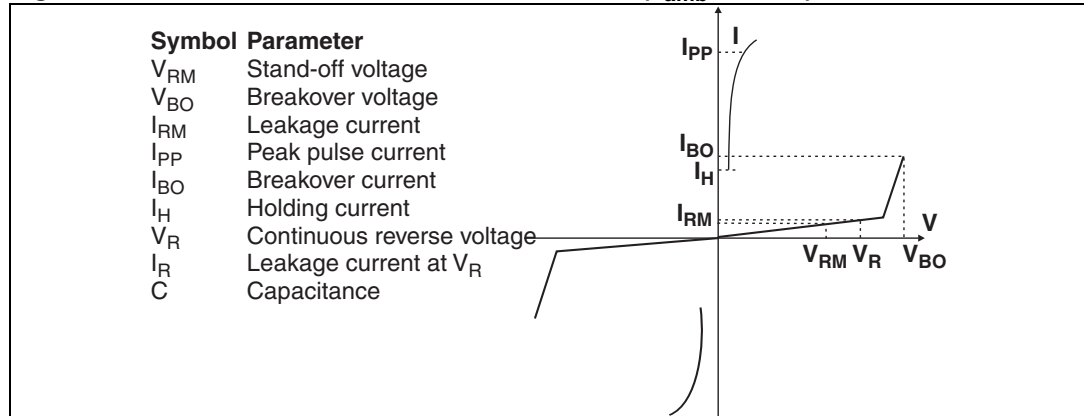


Table 4. Electrical characteristics - values ($T_{amb} = 25\text{ °C}$)

Types	$I_{RM} @ V_{RM}$		$I_R @ V_R$		Dynamic $V_{BO}^{(1)}$	Static $V_{BO} @ I_{BO}^{(2)}$		$I_H^{(3)}$	$C^{(4)}$	$C^{(5)}$
	max.		max.		max.	max.	max.	min.	typ.	typ.
	μA	V	μA	V	V	V	mA	mA	pF	pF
SMP80MC-120	2	108	5	120	155	155	800	150	12	25
SMP80MC-140		126		140	180	180				
SMP80MC-160		144		160	205	205				
SMP80MC-200		180		200	255	255				
SMP80MC-230		207		230	295	295				
SMP80MC-270		243		270	345	345				
SMP80MC-320		290		320	400	400				

1. See [Figure 10: Test circuit 1 for dynamic \$I_{BO}\$ and \$V_{BO}\$ parameters](#)
2. See [Figure 11: Test circuit 2 for \$I_{BO}\$ and \$V_{BO}\$ parameters](#)
3. See [Figure 12: Test circuit 3 for dynamic \$I_H\$ parameter](#)
4. $V_R = 50\text{ V}$ bias, $V_{RMS} = 1\text{ V}$, $F = 1\text{ MHz}$
5. $V_R = 2\text{ V}$ bias, $V_{RMS} = 1\text{ V}$, $F = 1\text{ MHz}$

Figure 2. Pulse waveform

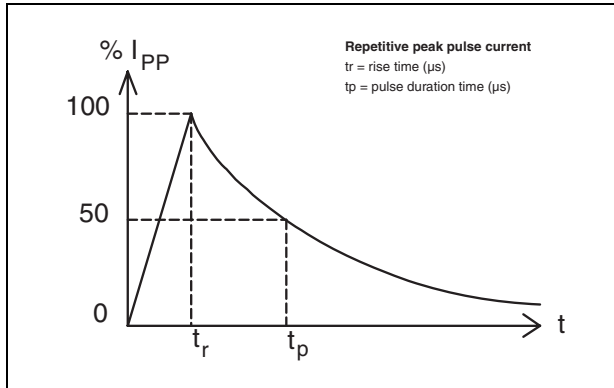


Figure 3. Non repetitive surge peak on-state current versus overload duration

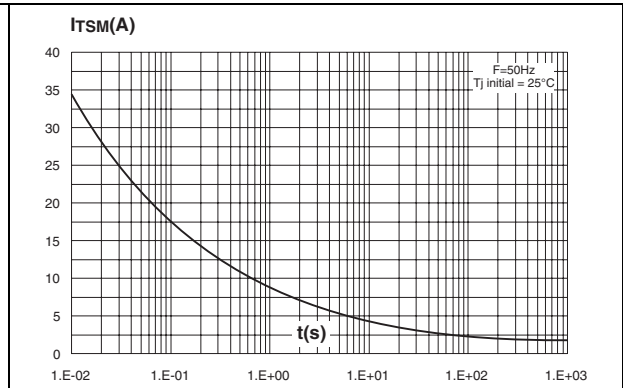


Figure 4. On-state voltage versus on-state current (typical values)

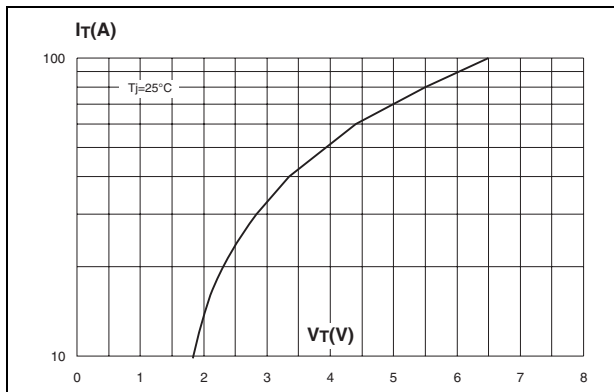


Figure 5. Relative variation of holding current versus junction temperature

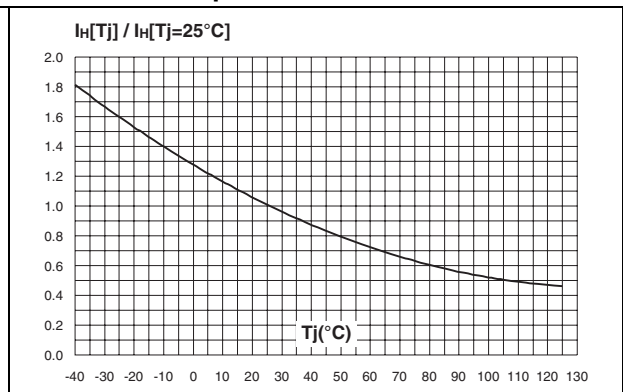


Figure 6. Relative variation of breakover voltage versus junction temperature

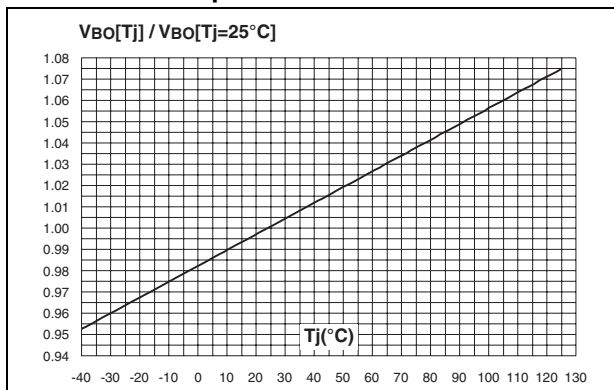


Figure 7. Relative variation of leakage current versus junction temperature (typical values)

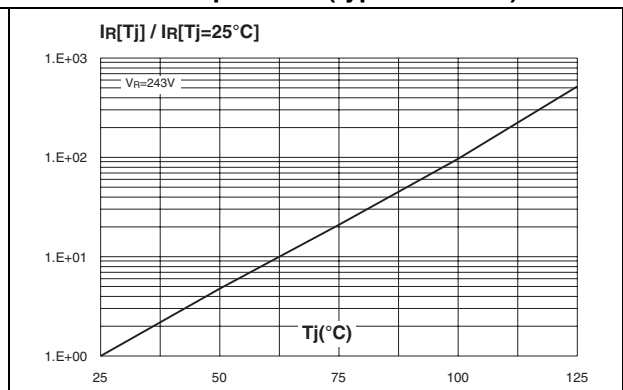


Figure 8. Variation of thermal impedance junction to ambient versus pulse duration

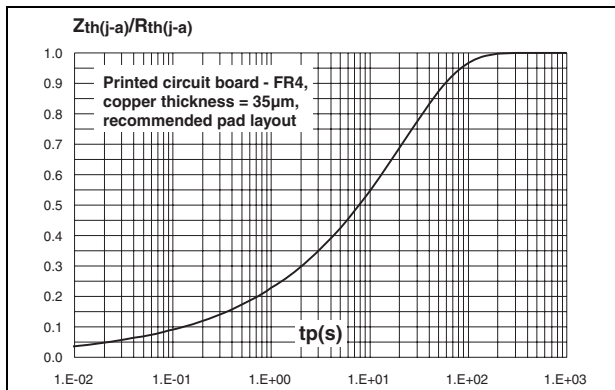


Figure 9. Relative variation of junction capacitance versus reverse voltage applied (typical values)

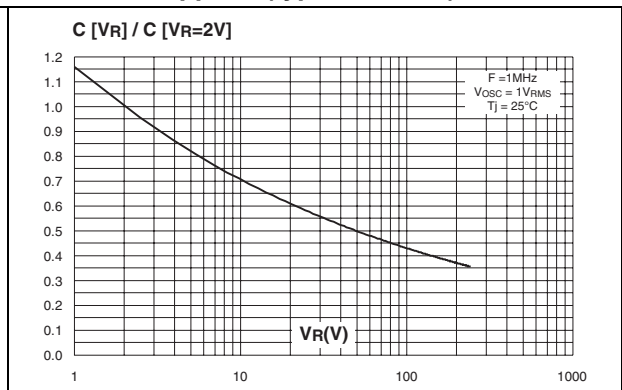


Figure 10. Test circuit 1 for dynamic I_{BO} and V_{BO} parameters

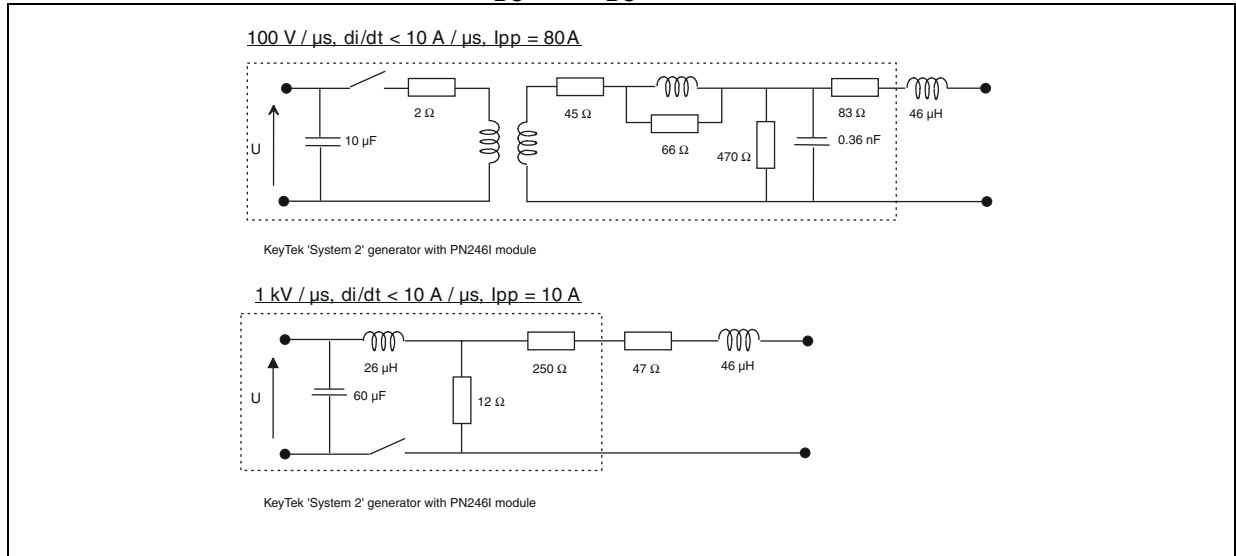


Figure 11. Test circuit 2 for I_{BO} and V_{BO} parameters

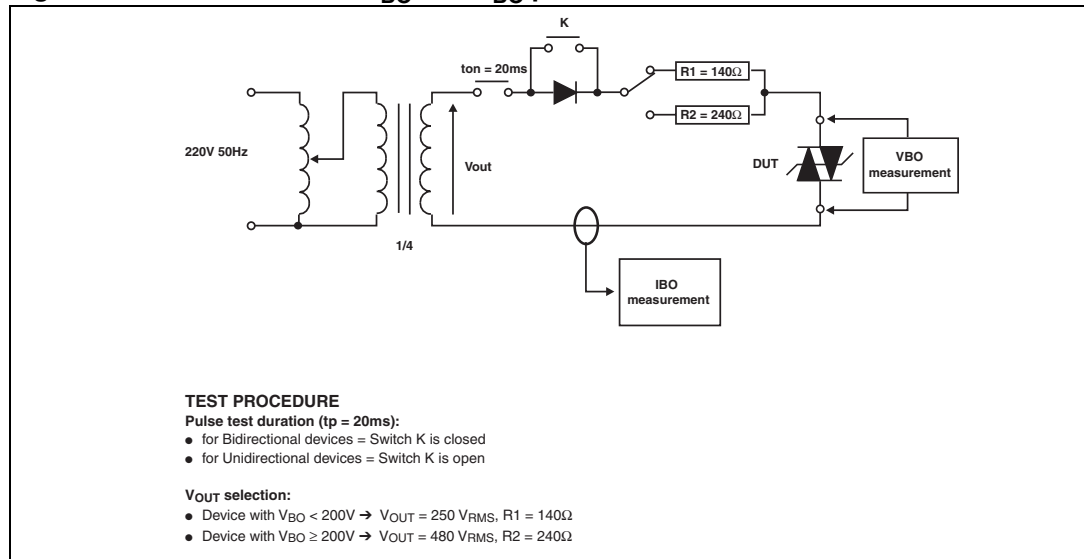
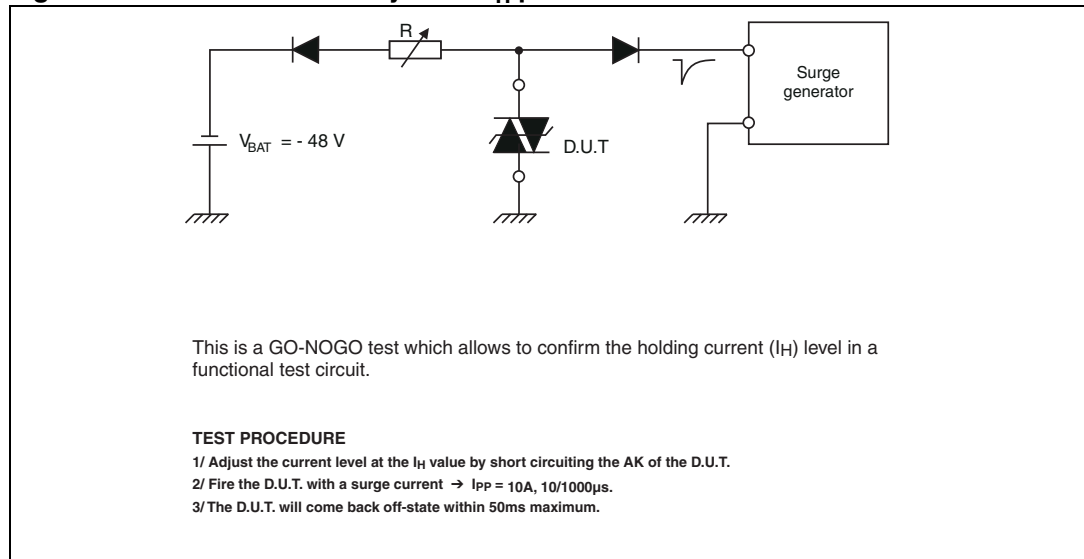
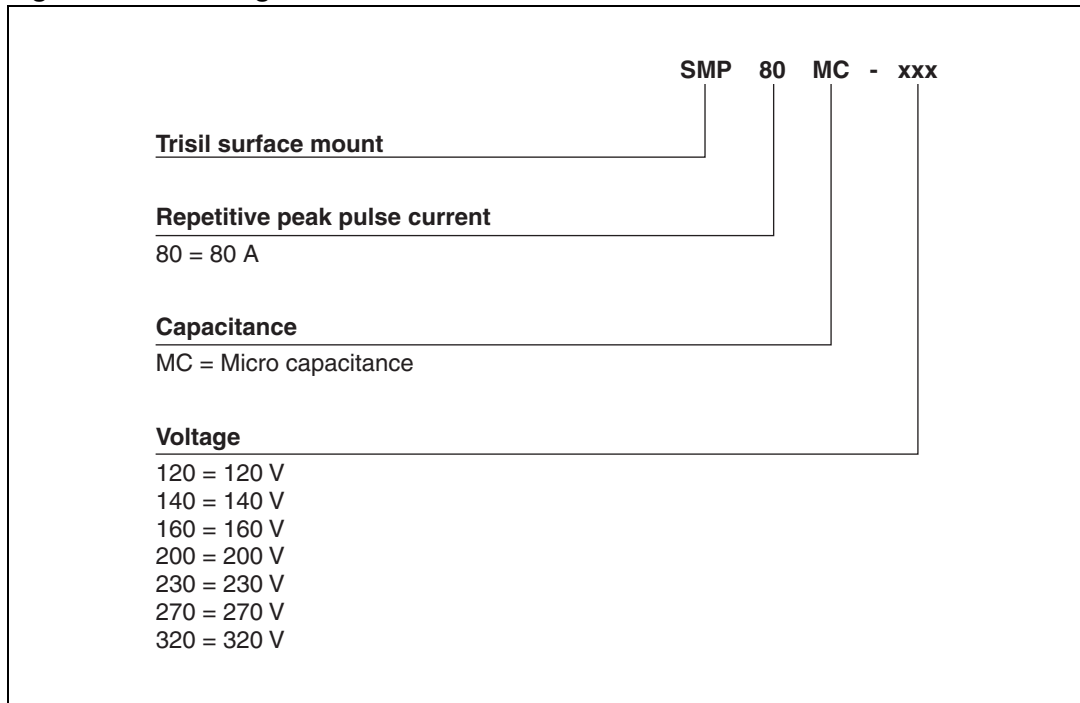


Figure 12. Test circuit 3 for dynamic I_H parameter



2 Ordering Information Scheme

Figure 13. Ordering information scheme



3 Package information

- Epoxy meets UL94, V0
- Lead-free package

In order to meet environmental requirements, ST offers these devices in different grades of ECOPACK® packages, depending on their level of environmental compliance. ECOPACK® specifications, grade definitions and product status are available at: www.st.com. ECOPACK® is an ST trademark.

Table 5. SMB dimensions

Ref.	Dimensions			
	Millimeters		Inches	
	Min.	Max.	Min.	Max.
A1	1.90	2.45	0.075	0.096
A2	0.05	0.20	0.002	0.008
b	1.95	2.20	0.077	0.087
c	0.15	0.40	0.006	0.016
E	5.10	5.60	0.201	0.220
E1	4.05	4.60	0.159	0.181
D	3.30	3.95	0.130	0.156
L	0.75	1.50	0.030	0.059

Figure 14. Footprint dimensions in mm (inches)

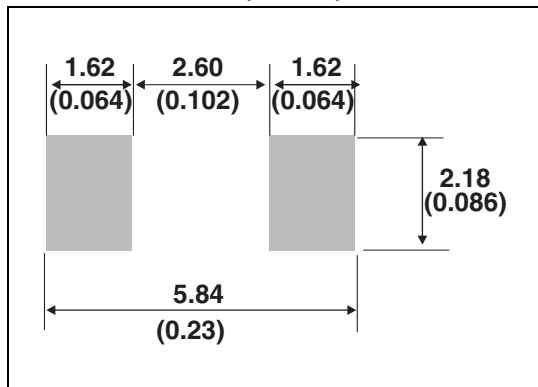
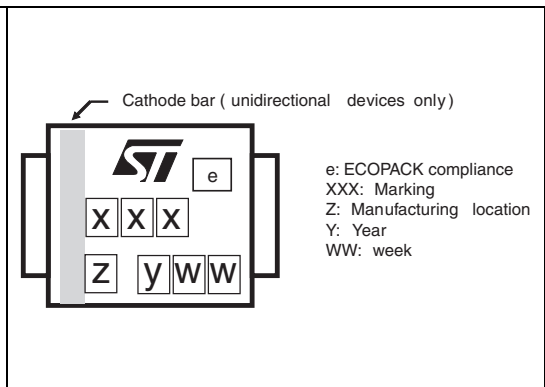


Figure 15. Marking layout⁽¹⁾



1. Marking layout can vary according to assembly location.

4 Ordering information

Table 6. Ordering information

Part Number	Marking	Package	Weight	Base qty	Delivery mode
SMP80MC-120	TP12	SMB	98 mg	2500	Tape and reel
SMP80MC-140	TP14				
SMP80MC-160	TP16				
SMP80MC-200	TP20				
SMP80MC-230	TP23				
SMP80MC-270	TP27				
SMP80MC-320	TP32				

5 Revision history

Table 7. Document revision history

Date	Revision	Changes
September-2001	1	First issue.
11-May-2005	2	New types introduction.
20-Jun-2005	3	Qualification of new types
18-Jan-2007	4	Added product SMP80MC-320
09-Feb-2012	5	Added UL statement in <i>Complies with the following standards</i>

Please Read Carefully:

Information in this document is provided solely in connection with ST products. STMicroelectronics NV and its subsidiaries ("ST") reserve the right to make changes, corrections, modifications or improvements, to this document, and the products and services described herein at any time, without notice.

All ST products are sold pursuant to ST's terms and conditions of sale.

Purchasers are solely responsible for the choice, selection and use of the ST products and services described herein, and ST assumes no liability whatsoever relating to the choice, selection or use of the ST products and services described herein.

No license, express or implied, by estoppel or otherwise, to any intellectual property rights is granted under this document. If any part of this document refers to any third party products or services it shall not be deemed a license grant by ST for the use of such third party products or services, or any intellectual property contained therein or considered as a warranty covering the use in any manner whatsoever of such third party products or services or any intellectual property contained therein.

UNLESS OTHERWISE SET FORTH IN ST'S TERMS AND CONDITIONS OF SALE ST DISCLAIMS ANY EXPRESS OR IMPLIED WARRANTY WITH RESPECT TO THE USE AND/OR SALE OF ST PRODUCTS INCLUDING WITHOUT LIMITATION IMPLIED WARRANTIES OF MERCHANTABILITY, FITNESS FOR A PARTICULAR PURPOSE (AND THEIR EQUIVALENTS UNDER THE LAWS OF ANY JURISDICTION), OR INFRINGEMENT OF ANY PATENT, COPYRIGHT OR OTHER INTELLECTUAL PROPERTY RIGHT.

UNLESS EXPRESSLY APPROVED IN WRITING BY TWO AUTHORIZED ST REPRESENTATIVES, ST PRODUCTS ARE NOT RECOMMENDED, AUTHORIZED OR WARRANTED FOR USE IN MILITARY, AIR CRAFT, SPACE, LIFE SAVING, OR LIFE SUSTAINING APPLICATIONS, NOR IN PRODUCTS OR SYSTEMS WHERE FAILURE OR MALFUNCTION MAY RESULT IN PERSONAL INJURY, DEATH, OR SEVERE PROPERTY OR ENVIRONMENTAL DAMAGE. ST PRODUCTS WHICH ARE NOT SPECIFIED AS "AUTOMOTIVE GRADE" MAY ONLY BE USED IN AUTOMOTIVE APPLICATIONS AT USER'S OWN RISK.

Resale of ST products with provisions different from the statements and/or technical features set forth in this document shall immediately void any warranty granted by ST for the ST product or service described herein and shall not create or extend in any manner whatsoever, any liability of ST.

ST and the ST logo are trademarks or registered trademarks of ST in various countries.

Information in this document supersedes and replaces all information previously supplied.

The ST logo is a registered trademark of STMicroelectronics. All other names are the property of their respective owners.

© 2012 STMicroelectronics - All rights reserved

STMicroelectronics group of companies

Australia - Belgium - Brazil - Canada - China - Czech Republic - Finland - France - Germany - Hong Kong - India - Israel - Italy - Japan - Malaysia - Malta - Morocco - Philippines - Singapore - Spain - Sweden - Switzerland - United Kingdom - United States of America

www.st.com