



Chipsmall Limited consists of a professional team with an average of over 10 year of expertise in the distribution of electronic components. Based in Hongkong, we have already established firm and mutual-benefit business relationships with customers from,Europe,America and south Asia,supplying obsolete and hard-to-find components to meet their specific needs.

With the principle of "Quality Parts,Customers Priority,Honest Operation,and Considerate Service",our business mainly focus on the distribution of electronic components. Line cards we deal with include Microchip,ALPS,ROHM,Xilinx,Pulse,ON,Everlight and Freescale. Main products comprise IC,Modules,Potentiometer,IC Socket,Relay,Connector.Our parts cover such applications as commercial,industrial, and automotives areas.

We are looking forward to setting up business relationship with you and hope to provide you with the best service and solution. Let us make a better world for our industry!



Contact us

Tel: +86-755-8981 8866 Fax: +86-755-8427 6832

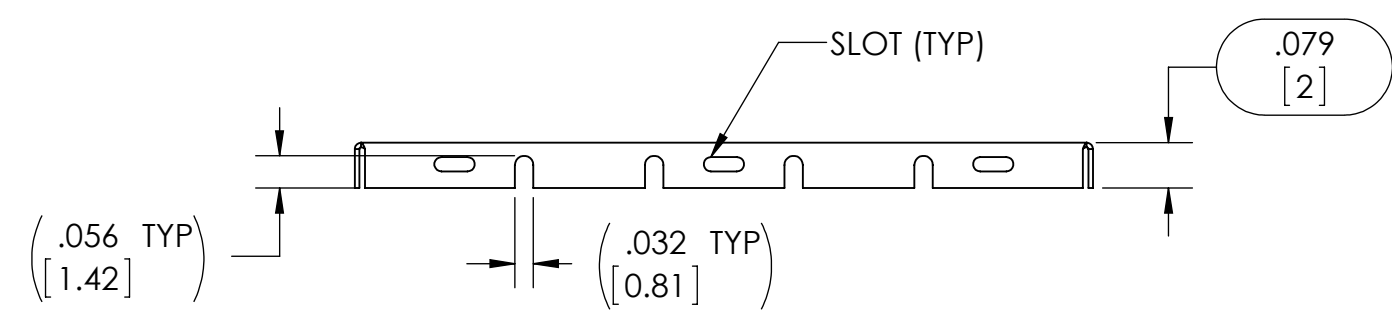
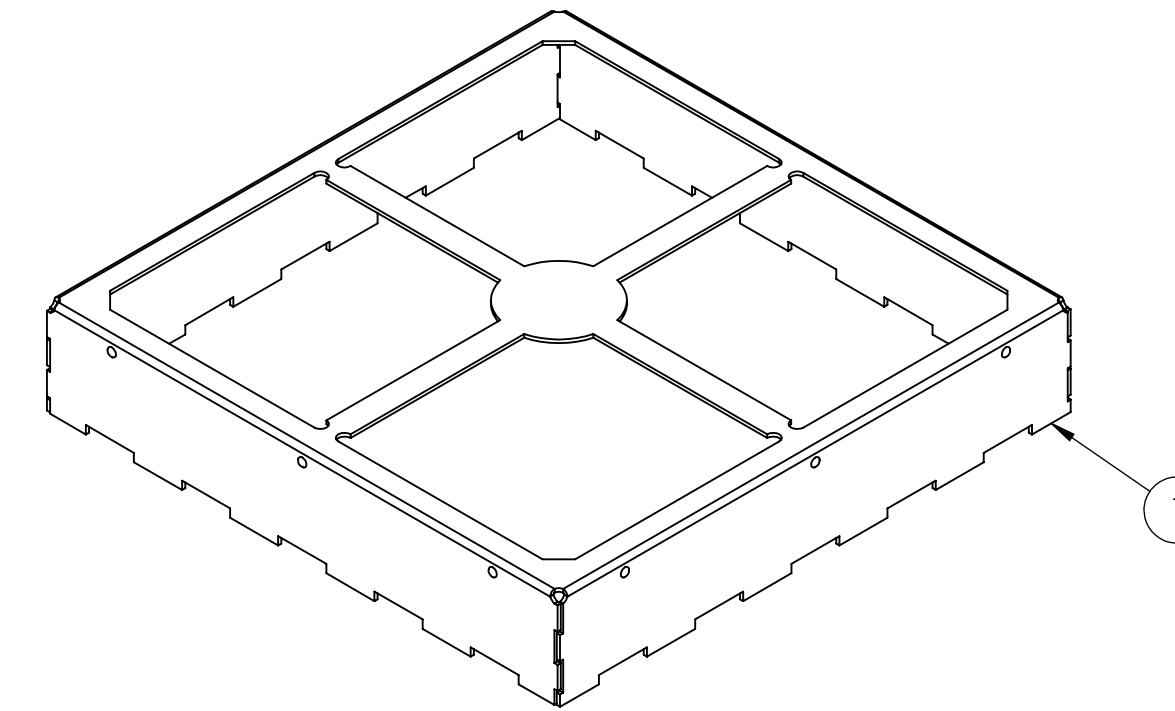
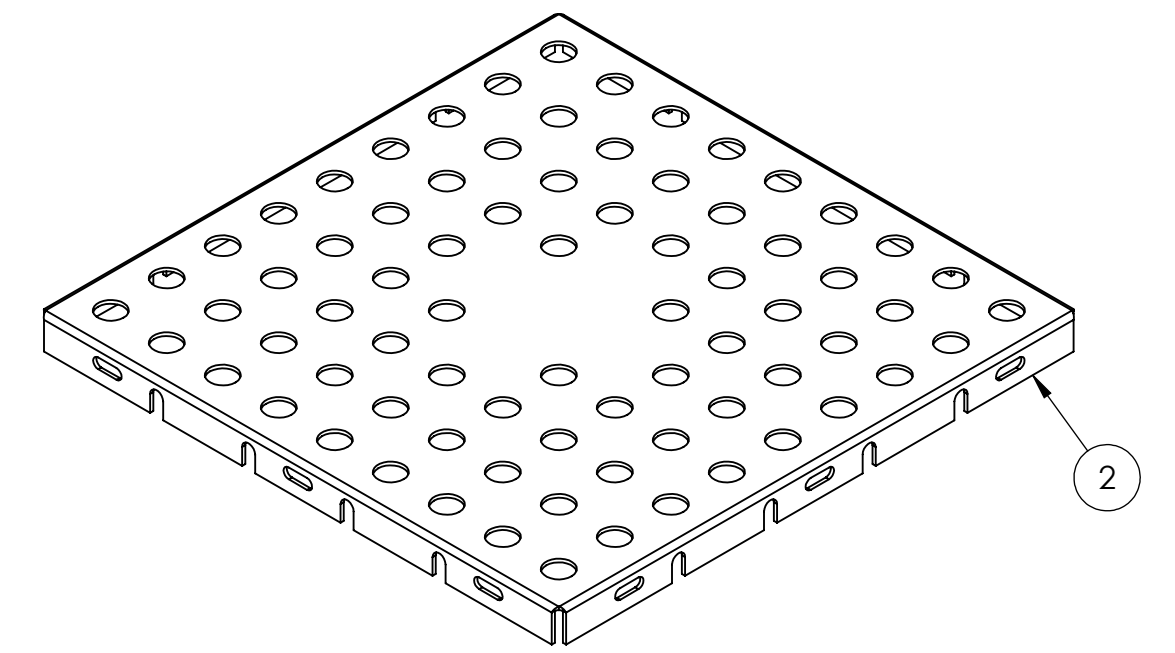
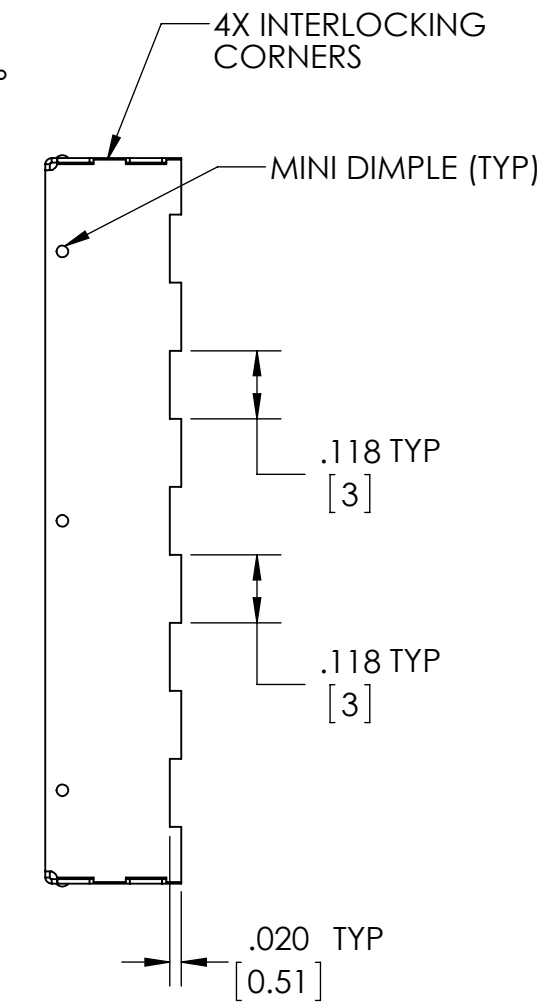
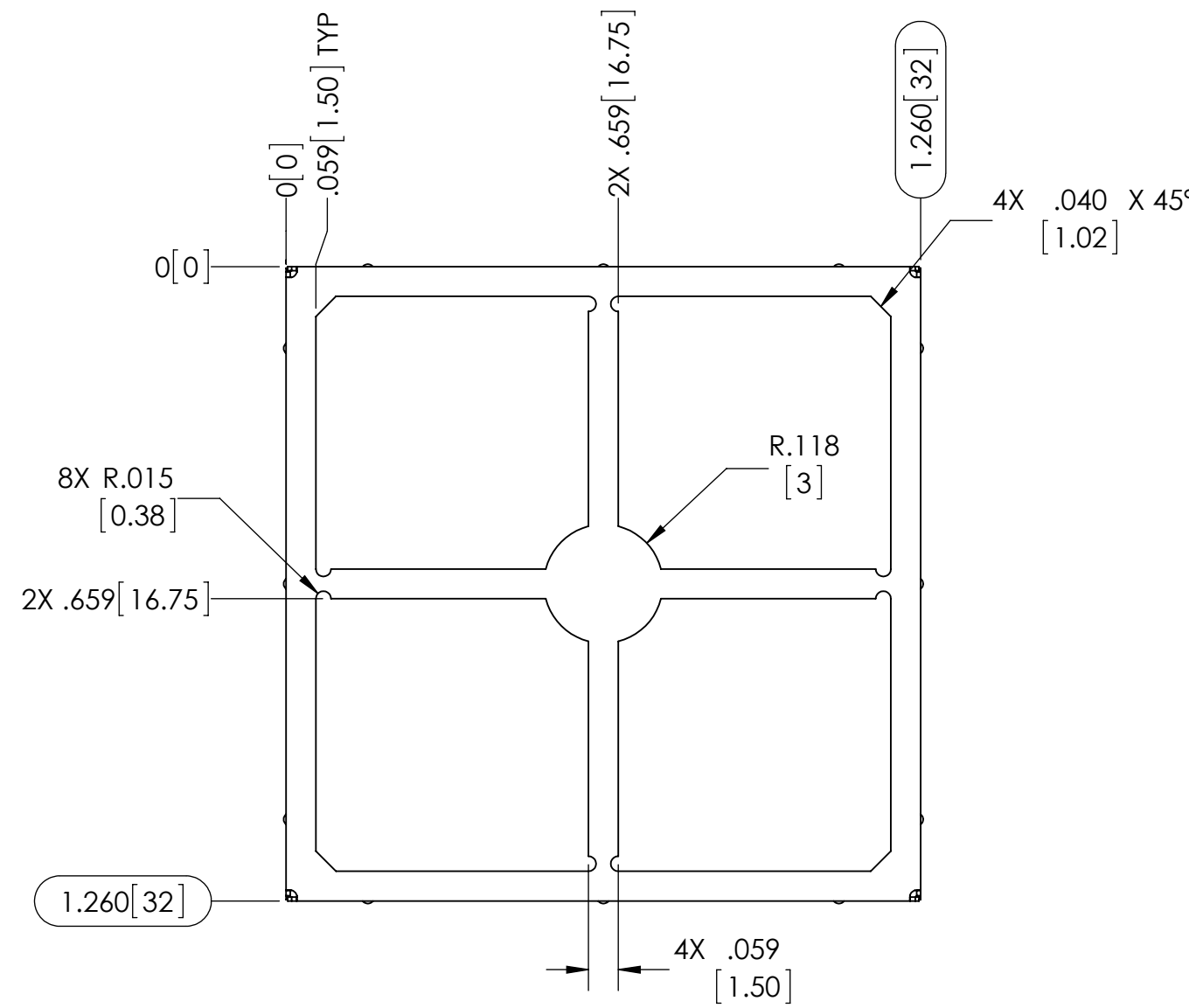
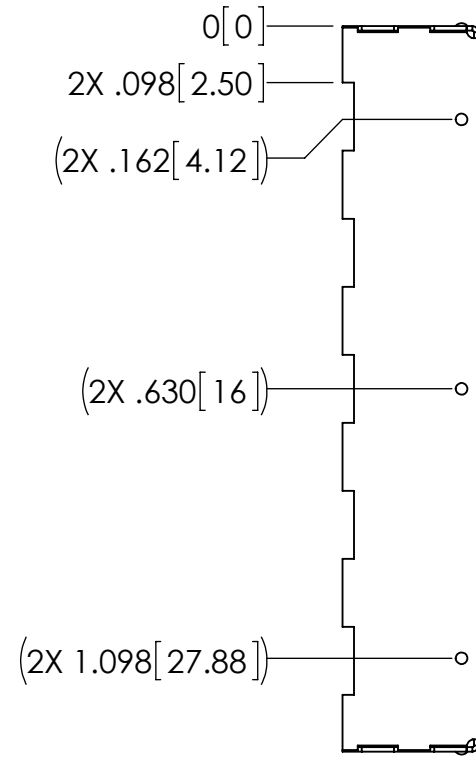
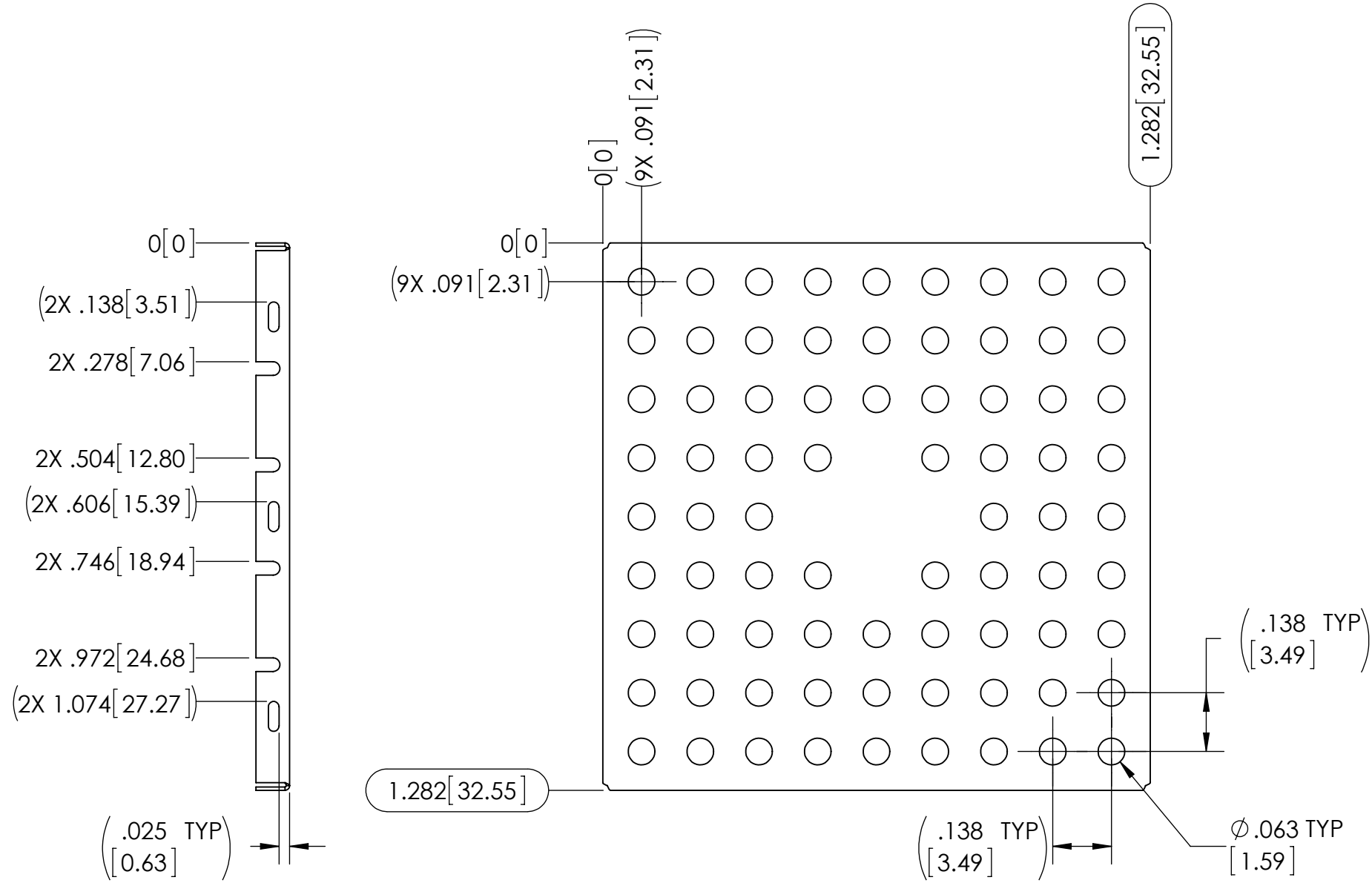
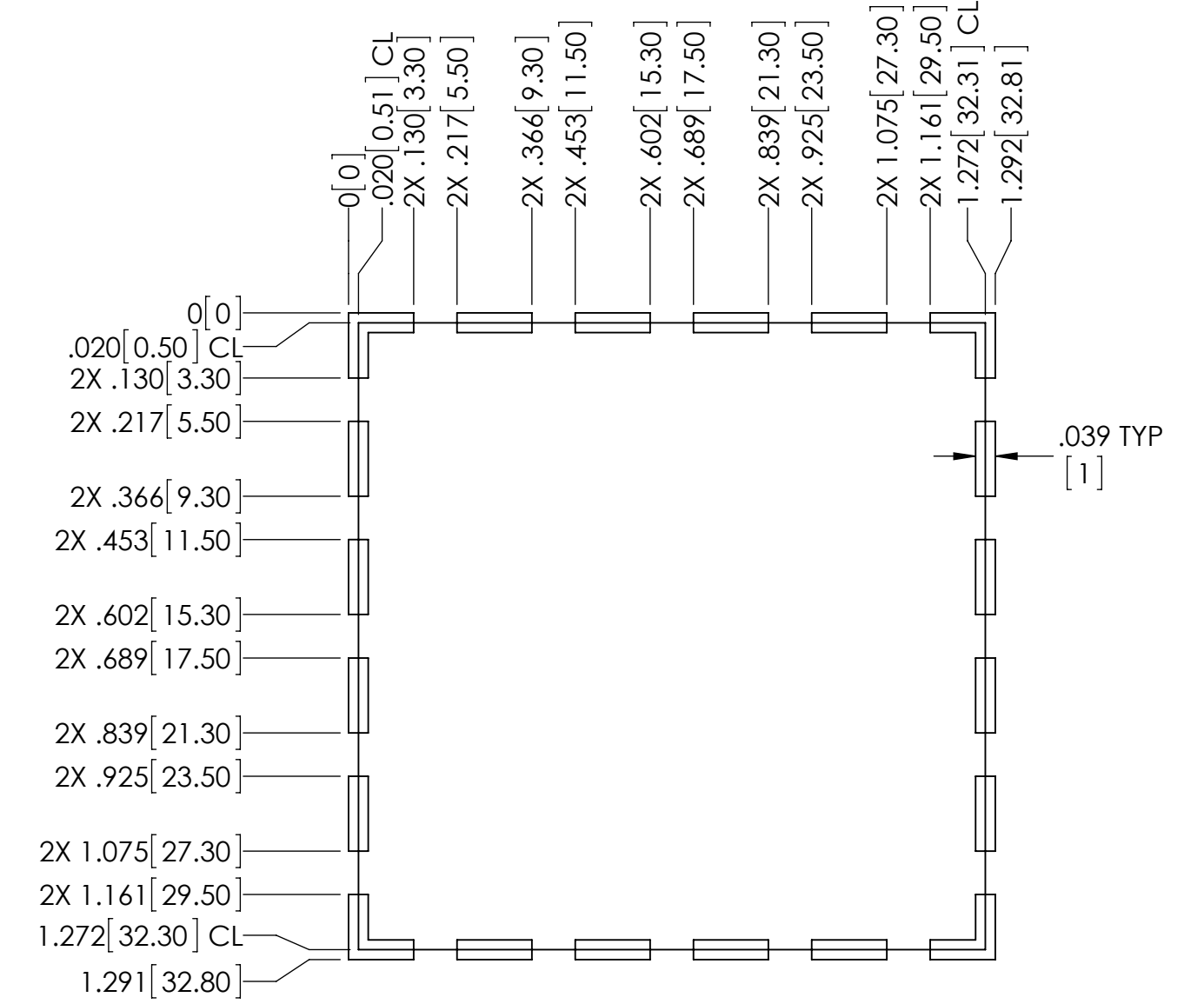
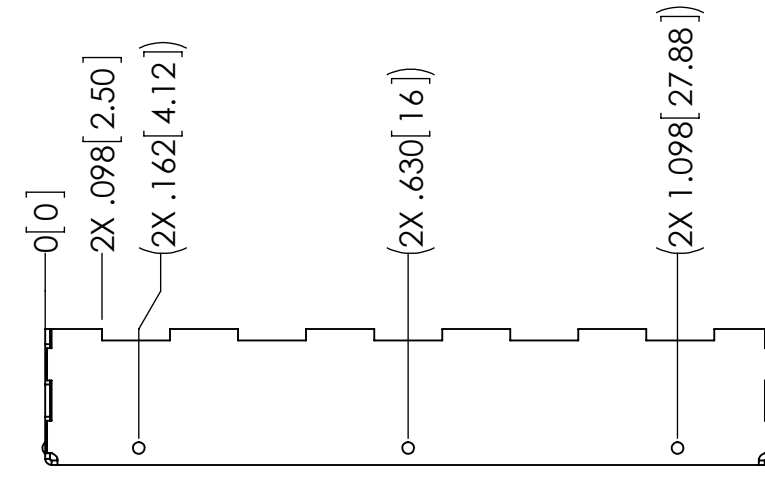
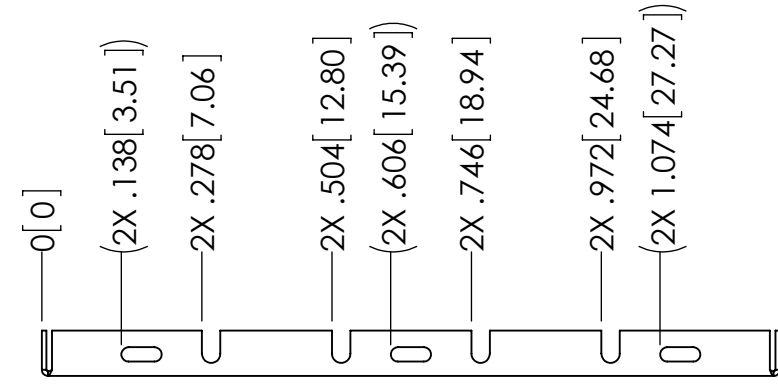
Email & Skype: info@chipsmall.com Web: www.chipsmall.com

Address: A1208, Overseas Decoration Building, #122 Zhenhua RD., Futian, Shenzhen, China

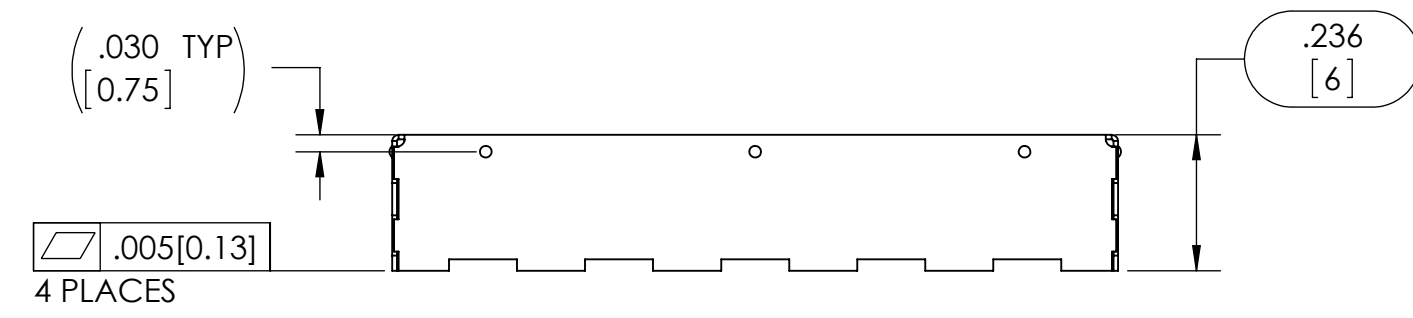


NOTES:

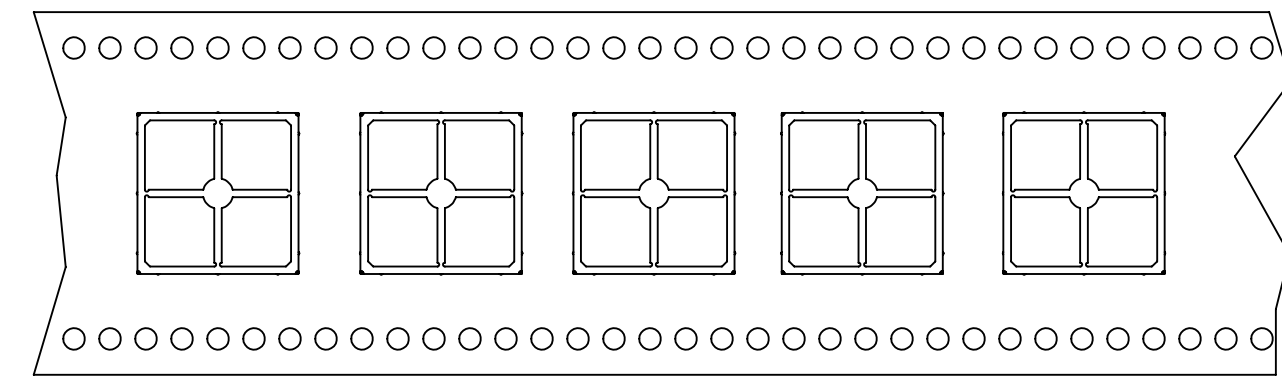
- PART SHALL BE FREE OF BURRS AND SHARP EDGES
- ASSURE ASSEMBLY CAPABILITY BY MATCHING WITH MATING PART
- DIMENSIONS IN [] ARE IN MILLIMETERS



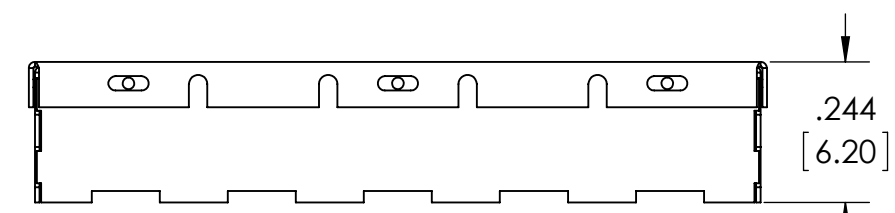
FORMED COVER



FORMED FRAME



CARRIER TAPE



ASSEMBLY

| CARRIER TAPE SPECIFICATIONS | | | | | | |
|-----------------------------|-------------|-------------------------------|----------------|--------------------|--------------------|----------------|
| PART NUMBER | DESCRIPTION | OVERALL DIMENSIONS | OVERALL HEIGHT | CARRIER TAPE WIDTH | CARRIER TAPE PITCH | PARTS PER REEL |
| SMS-204-F | FRAME | 1.260 X 1.260 [32.00 X 32.00] | .236 [6.00] | 44 mm | 36 mm | 225 |
| SMS-204-C | COVER | 1.282 X 1.282 [32.55 X 32.55] | .079 [2.00] | N/A | N/A | BULK PACK |

THIS DOCUMENT CONTAINS PROPRIETARY INFORMATION OWNED BY LEADERTECH. IT IS TO BE USED FOR PRIVATE EXPENSE AND MAY NOT BE REPRODUCED, COPIED, OR DISCLOSED IN WHOLE OR IN PART FOR ANY PURPOSE INCLUDING DESIGN, MANUFACTURE OR PROCUREMENT WITHOUT THE WRITTEN PERMISSION OF LEADERTECH. LEADERTECH DOES NOT GUARANTEE OR WARRANT THE PERFORMANCE CHARACTERISTICS.

| ITEM NO. | PART NUMBER | DESCRIPTION | QTY. |
|----------|-------------|-------------|------|
| 1 | SMS-204 F | FRAME | 1 |
| 2 | SMS-204 C | COVER | 1 |

| | | | | |
|---|--|------------------------|--|--|
| UNLESS OTHERWISE SPECIFIED: - ALL DIMENSIONS ARE IN INCHES - PART SHALL BE FREE OF BURRS AND SHARP EDGES - ALL DIMENSIONS SHOWN APPLY BEFORE PLATING AND COATINGS - ROHS COMPLIANT PER EU DIRECTIVE 2011/65/EU - POI = POINT OF INTERSECTION | | THIRD ANGLE PROJECTION | | a HEICO company The Leading Edge in PCB Handling Technology |
| DRAWN BY: M. PAUL 07/28/2009 | | APPROVED BY: - | | |