



Chipsmall Limited consists of a professional team with an average of over 10 year of expertise in the distribution of electronic components. Based in Hongkong, we have already established firm and mutual-benefit business relationships with customers from,Europe,America and south Asia,supplying obsolete and hard-to-find components to meet their specific needs.

With the principle of “Quality Parts,Customers Priority,Honest Operation,and Considerate Service”,our business mainly focus on the distribution of electronic components. Line cards we deal with include Microchip,ALPS,ROHM,Xilinx,Pulse,ON,Everlight and Freescale. Main products comprise IC,Modules,Potentiometer,IC Socket,Relay,Connector.Our parts cover such applications as commercial,industrial, and automotives areas.

We are looking forward to setting up business relationship with you and hope to provide you with the best service and solution. Let us make a better world for our industry!



Contact us

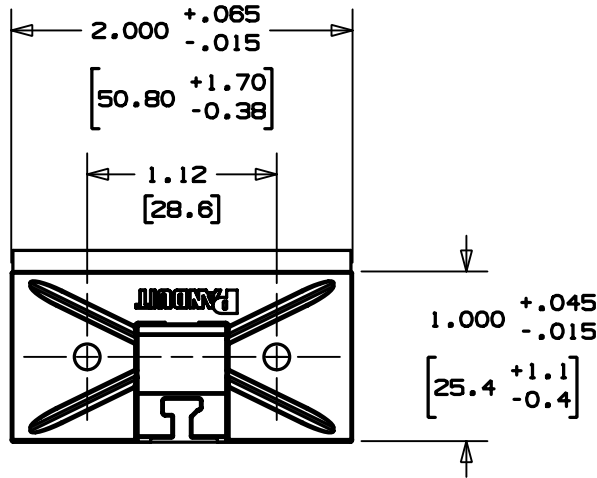
Tel: +86-755-8981 8866 Fax: +86-755-8427 6832

Email & Skype: info@chipsmall.com Web: www.chipsmall.com

Address: A1208, Overseas Decoration Building, #122 Zhenhua RD., Futian, Shenzhen, China



THIS COPY IS PROVIDED ON A RESTRICTED BASIS AND IS NOT TO BE USED IN ANY WAY DETRIMENTAL TO THE INTERESTS OF PANDUIT CORP.



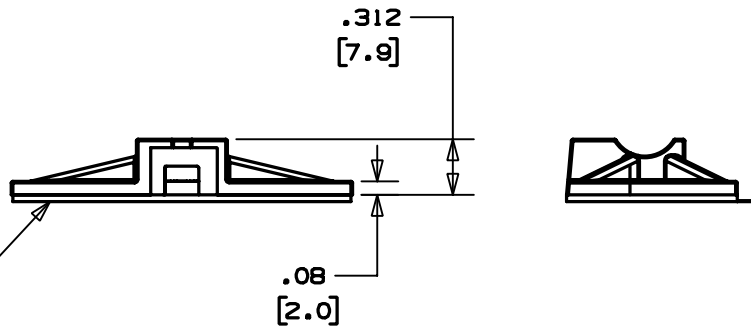
PANDUIT PART NO. *	REC'M FASTENER	USE WITH THESE CABLE TIES **	WEIGHT lbs 100 (g) pcs
SMS-A	-----	S = STANDARD	0.81 (371)
SMS-S6	#6 F.H.C.S or B.H.C.S		0.74 (335)

TO APPLY ADHESIVE MOUNT:

1. REMOVE PROTECTIVE LINER.
2. PLACE IN DESIRED LOCATION.
3. APPLY PRESSURE TO TOP SURFACE OF MOUNT.

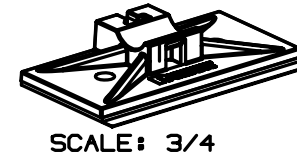
NOTES:

1. SEE CURRENT PRICE SHEET FOR PART NUMBER SUFFIX DESIGNATION FOR PACKAGE SIZE AND COLOR.

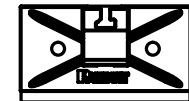


ADHESIVE BACKING:
PRESSURE SENSITIVE FOAM TAPE 0.040" (1.0)
THICK WITH PROTECTIVE LINER. MOUNT IS DESIGNED
TO SUPPORT 11b. (454g) MAX. WEIGHT ON A
CLEAN DRY, SMOOTH, GREASE-FREE SURFACE.

NO WARRANTY, EXPRESSED, OR IMPLIED, IS MADE BY PANDUIT WITH RESPECT TO ADHESIVE BOND PERFORMANCE. AMONG OTHER THINGS, THE CONDITIONS UNDER WHICH THESE MOUNTS MAY BE APPLIED AND/OR THE SURFACE TO WHICH THEY MAY BE APPLIED ARE BEYOND PANDUIT'S CONTROL.



SCALE: 3/4



SCALE: 1/2

DIMENSIONS IN BRACKETS ARE METRIC [mm]			
CAD FILENAME/LAYERS G00239LA_PB_SMS_00			
PANDUIT CORP.		TINLEY PARK, ILLINOIS	
SNAP IN MOUNT (SMS-A, -S6)			
UNLESS OTHERWISE SPECIFIED, DIMENSIONAL TOLERANCES ARE: (.X) ±0.05 (1.3) (.XXX) ±0.010 (0.25) (.XX) ±0.02 (0.5) ANGLES ± 5°		UNLESS OTHERWISE SPECIFIED, ALL DIMENSIONS ARE GIVEN IN INCHES, THIRD ANGLE PROJECTION.	
DRAWN BY JAD	MAT'L:	SCALE FULL	
DATE 1/28/04	ABS	DRAWING NO.	DWG SIZE
CR'D		GB0239LA	A

REV	DATE	BY	CHK	DESCRIPTION	ECN - R	CUST	SUP
R	1/28/04	JAD		INITIAL RELEASE	GB0239LA	R	