



Chipsmall Limited consists of a professional team with an average of over 10 year of expertise in the distribution of electronic components. Based in Hongkong, we have already established firm and mutual-benefit business relationships with customers from,Europe,America and south Asia,supplying obsolete and hard-to-find components to meet their specific needs.

With the principle of “Quality Parts,Customers Priority,Honest Operation,and Considerate Service”,our business mainly focus on the distribution of electronic components. Line cards we deal with include Microchip,ALPS,ROHM,Xilinx,Pulse,ON,Everlight and Freescale. Main products comprise IC,Modules,Potentiometer,IC Socket,Relay,Connector.Our parts cover such applications as commercial,industrial, and automotives areas.

We are looking forward to setting up business relationship with you and hope to provide you with the best service and solution. Let us make a better world for our industry!



## Contact us

Tel: +86-755-8981 8866 Fax: +86-755-8427 6832

Email & Skype: info@chipsmall.com Web: www.chipsmall.com

Address: A1208, Overseas Decoration Building, #122 Zhenhua RD., Futian, Shenzhen, China



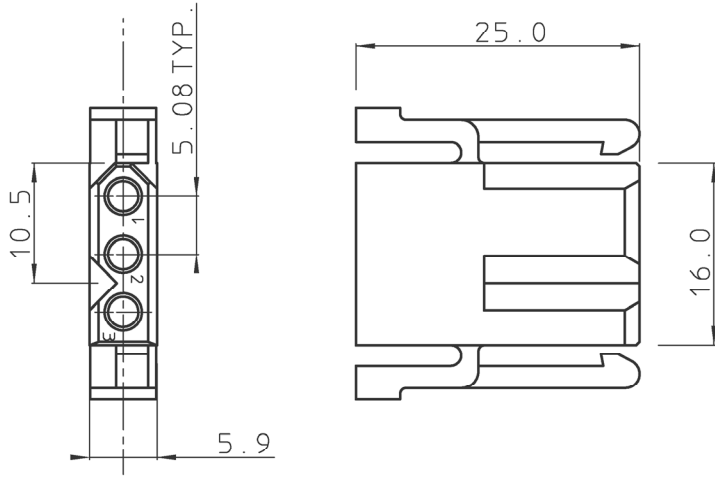
DIT IS ONZE EIGENDOM EN MAG NOCH NAGEMAAKT, HERDRUKT, OVERGEMAAKT AAN DERDEN, NOCH VOOR FABRIKATIE GEBRUIKT WORDEN, ZONDER ONZE SCHRIFTELIJKE TOELATING. BIJ NIET GEBRUIK IS DE TERUGZENDING VERPLICHT.

THIS IS OUR EXCLUSIVE PROPERTY. IT IS NOT TO BE COPIED, REPRINTED OR DISCLOSED TO A THIRD PARTY, NOR USED FOR MANUFACTURING WITHOUT OUR WRITTEN CONSENT, AND HAS TO BE RETURNED TO US IN CASE OF NO USAGE.

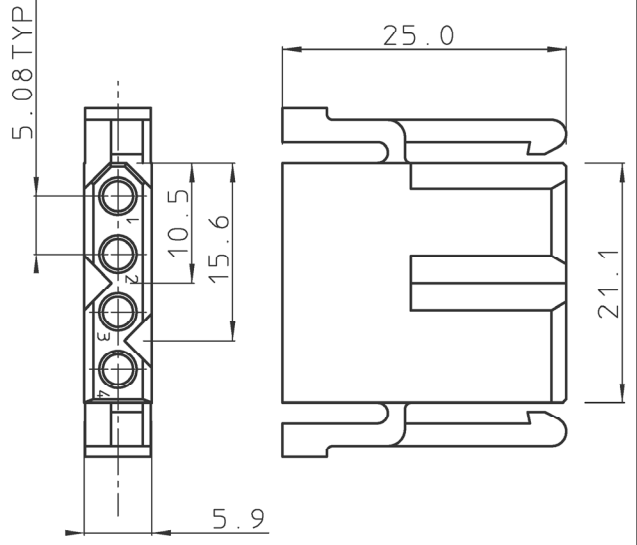
BS, A , 200405, 001, 01

REV.	DATE	DESCRIPTION	BY	C'K'D'
01	12-02-96	CONVERSION ME10	NIETVELT	

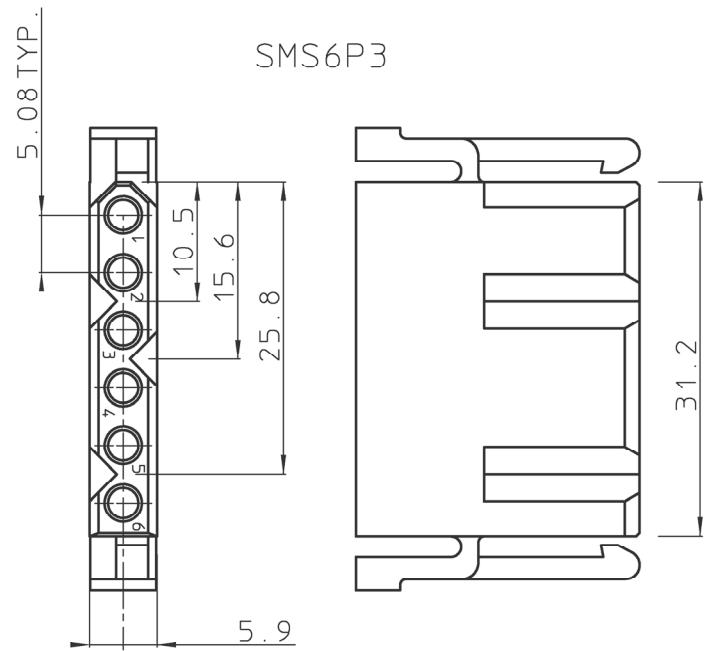
SMS3P3



SMS4P3



SMS6P3



**MATERIAL :**

BODY : POLYAMIDE 6.6 UL94V2 ; COLOUR : BLACK OR UL94V0 ; COLOUR : OCHRE.

**PERFORMANCE CHARACTERISTICS :**

OPERATING TEMPERATURE : -55°C TO +105°C  
 INSULATING RESISTANCE : 5000M $\Omega$  MIN.  
 TEST POTENTIAL : 2000 VAC

**NOTES :**

- CONNECTOR ACCEPTS #16 STRIP FORMED, MACHINED AND SUBMINIATURE COAXIAL PIN AND SOCKET CONTACTS.
- CONTACTS TO BE ORDERED SEPARATELY : REFER TO DATA SHEETS 2-110, 2-111, 2-112, 2-113, 2-114.

GEN. ST.	01	02	03	04	05	06	07	08	0D	50	60	70	80	90																	
INT. ST.	10	11	12	13	14	18	20	31	32	33	34	38	39	40	42	43	44	45	46	48	56	70	72	73	75	76	81	82	83	84	88

1DEC  $\pm 0,2$  1DEC  
 2DEC  $\pm 0,1$  2DEC  
 ANGLES  $\pm 1^\circ$  HOEKEN

WE RESERVE THE RIGHT TO CHANGE DIMENSIONS OR REQUIREMENTS WITHOUT PRIOR NOTICE.

ALL DIMENSIONS IN MM  
  
 ALLE AFMETINGEN IN MM

<b>APPR.</b>	<b>DATE</b>	<b>SIGN.</b>
DRAFT	30.06.86	E. CREELLE
CHECKED		
PROD. MGR.		
PR. ENG. MGR.		
PR. MGT. MGR.		

**REFERENCES / REFERENTIES**

QIKMATE IN-LINE PINHEADER PLUG  
**CAT. No. SMS-P3**

**SOURIAU**  
 Route Nationale 23  
 72470 CHAMPAGNE

SCALE  
 1.5 / 1

BS, A , 200405, 001, 01  
 DRAWING NR. CUSTOMER DRAWING

**NOT EXPORT CONTROLLED**