



Chipsmall Limited consists of a professional team with an average of over 10 year of expertise in the distribution of electronic components. Based in Hongkong, we have already established firm and mutual-benefit business relationships with customers from,Europe,America and south Asia,supplying obsolete and hard-to-find components to meet their specific needs.

With the principle of "Quality Parts,Customers Priority,Honest Operation,and Considerate Service",our business mainly focus on the distribution of electronic components. Line cards we deal with include Microchip,ALPS,ROHM,Xilinx,Pulse,ON,Everlight and Freescale. Main products comprise IC,Modules,Potentiometer,IC Socket,Relay,Connector.Our parts cover such applications as commercial,industrial, and automotives areas.

We are looking forward to setting up business relationship with you and hope to provide you with the best service and solution. Let us make a better world for our industry!



## Contact us

Tel: +86-755-8981 8866 Fax: +86-755-8427 6832

Email & Skype: info@chipsmall.com Web: www.chipsmall.com

Address: A1208, Overseas Decoration Building, #122 Zhenhua RD., Futian, Shenzhen, China



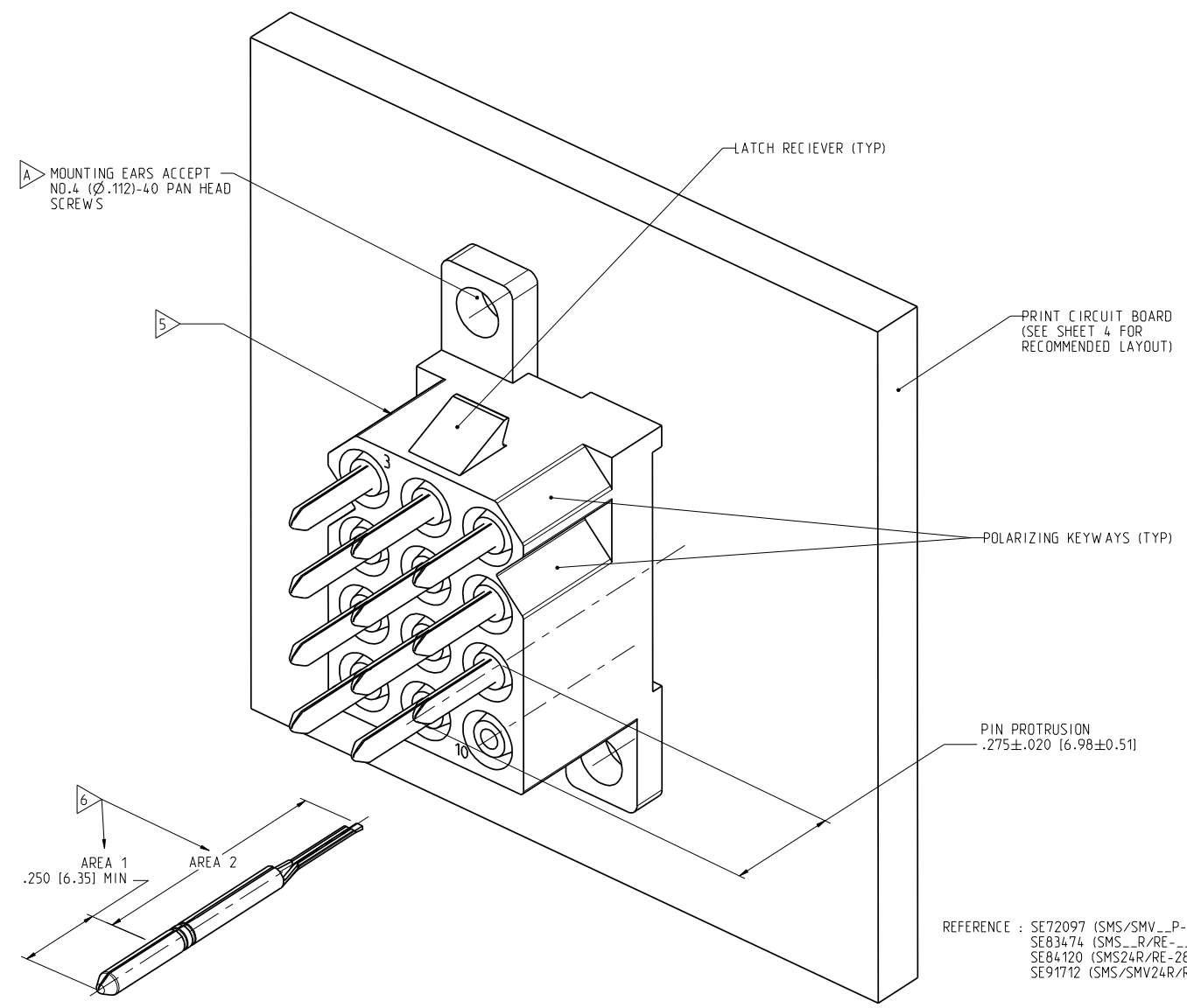
THIS DRAWING IS A CONTROLLED DOCUMENT FOR SOURIAU USA, INC. CONTACT THE DOCUMENT CONTROL CENTER FOR THE LATEST REVISION.

THE INFORMATION CONTAINED IN THIS DRAWING IS CONFIDENTIAL AND MAY NOT BE DISCLOSED WITHOUT WRITTEN CONSENT FROM SOURIAU USA, INC.

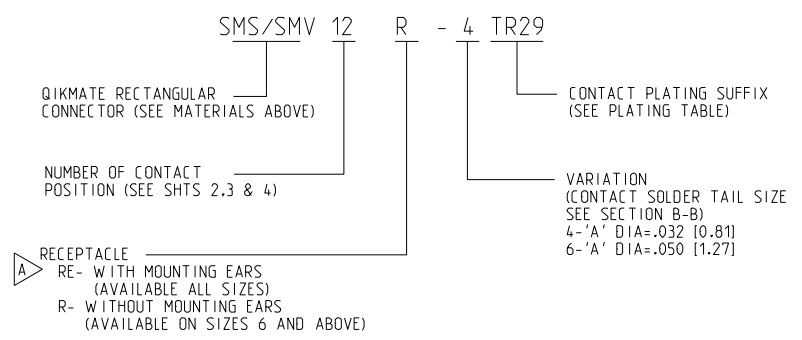
DWG. NO. SE81873		
TABLE-2: CONTACT PLATING		
CONTACT MATERIAL	PLATING SUFFIX	PLATING DESCRIPTION
PHOSPHOR BRONZE	TR29	TIN-ALLOY PREPLATED
BRASS-CA260	TW4	TIN-ALLOY POST-PLATED
	D70	.0000050 [0.00013] MIN GOLD OVER .0000750 [0.00190] MIN NICKEL
	S2	AREA 1 .000050 [0.00127] MIN GOLD OVER .000200 [0.00508] MIN NICKEL
		AREA 2 .0000050 [0.00013] MIN GOLD OVER .000200 [0.00508] MIN NICKEL
	S4	AREA 1 .000050 [0.00127] MIN GOLD OVER .0000750 [0.00190] MIN NICKEL
		AREA 2 .000005 [0.00013] MIN GOLD OVER .0000750 [0.00190] MIN NICKEL
S5	AREA 1 .000030 [0.00076] MIN GOLD OVER .000075 [0.00190] MIN NICKEL	
	AREA 2 .000005 [0.00013] MIN GOLD OVER .000075 [0.00190] MIN NICKEL	

TABLE-1 CONNECTOR BODY MATERIAL			
PART NO.	MATERIAL	SPECIFICATION	COLOR
SMS__R/RE-_____	NYLON	ASTM-D4066-01A UL94-V2	BLACK
SMV__R/RE-_____	6/6	UL94-V0	

- NOTES: UNLESS OTHERWISE SPECIFIED.
- CONTACT IDENTIFICATION APPEARS ON MATING FACE ONLY.
  - ORIENTATION OF SOLDER TAILS MAY DIFFER FROM ILLUSTRATION.
  - THIS CONNECTOR MATES WITH SOURIAU CATALOG NO. SMS/SMV\_\_P-1 SEE SE72097.
  - CANADIAN STANDARD ASSN (CSA) SYMBOL MAY APPEAR ON TERMINATION SIDE OF CONNECTOR.
  - CONNECTOR BODY MATERIAL PER TABLE-1
  - SEE CONTACT PLATING PER TABLE-2



TYPICAL CATALOG NO. DESCRIPTION



K	REVISED PER ECN 10853	SCP	NPP
		05-05-09	05-05-09
9	REDRAWN ON CAD TO 'E' SIZE, SHTS 2.3 & 4 .525±.015 WAS .52 AND .275±.015 WAS .27 FOR ALL SIZES (ECN3129)	DET	PEP
		10-24-94	10-24-94
REV	DESCRIPTION	BY	CHKD
		DATE	DATE

BOARD MOUNT QIKMATE RECTANGULAR CONNECTOR

LINEAR MEASURE: $\frac{INCH}{mm}$ INCH [mm]	
THIRD ANGLE PROJECTION	
TOLERANCES UNLESS OTHERWISE SPECIFIED	
No. OF PLACES	INCH [mm]
ONE PLACE	±.1 [±3]
TWO PLACES	±.02 [±0.5]
THREE PLACES	±.010 [±0.25]
ANGLES±1°	

CAGE NO: 09922	SIZE: C
<b>CUSTOMER</b>	
INTERPRET THIS DRAWING IN ACCORDANCE WITH ASME Y14.5M - 1994.	

DRAWING TITLE <b>SMS/SMV-R/RE- (SEE TABLE)</b>	
DRAWN: SCP	05-05-09
CHKD: NP	05-05-09
DSGN: DL	12-20-78
MFG: DH	05-05-09
QC: BB	05-05-09
DRAWING SCALE: 3:1	
DRAWING NO.	REV
SE81873	K
1 OF 4	

REFERENCE : SE72097 (SMS/SMV\_\_P-1)  
SE83474 (SMS\_\_R/RE-\_\_)  
SE84120 (SMS24R/RE-2856)  
SE91712 (SMS/SMV24R/RE-45\_\_\_\_)

SUPERSEDES: SD81873-8

4

3

2

1

4

3

2

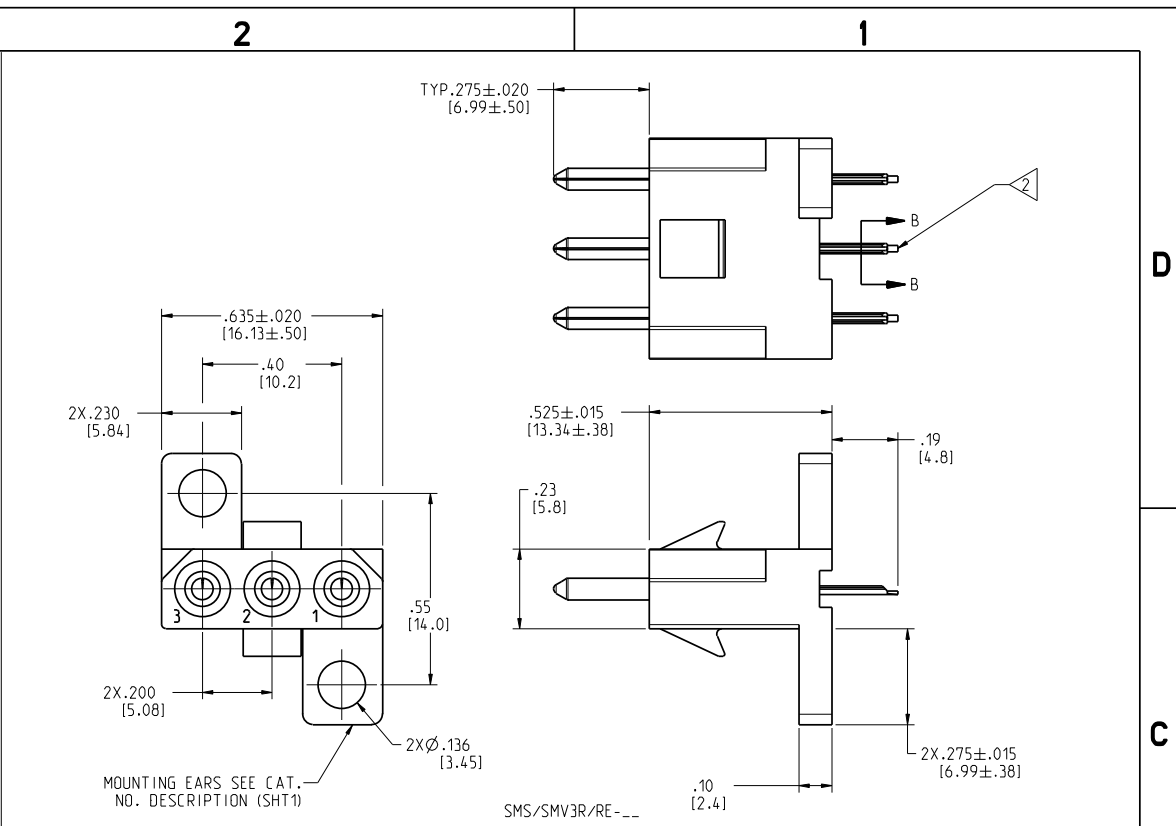
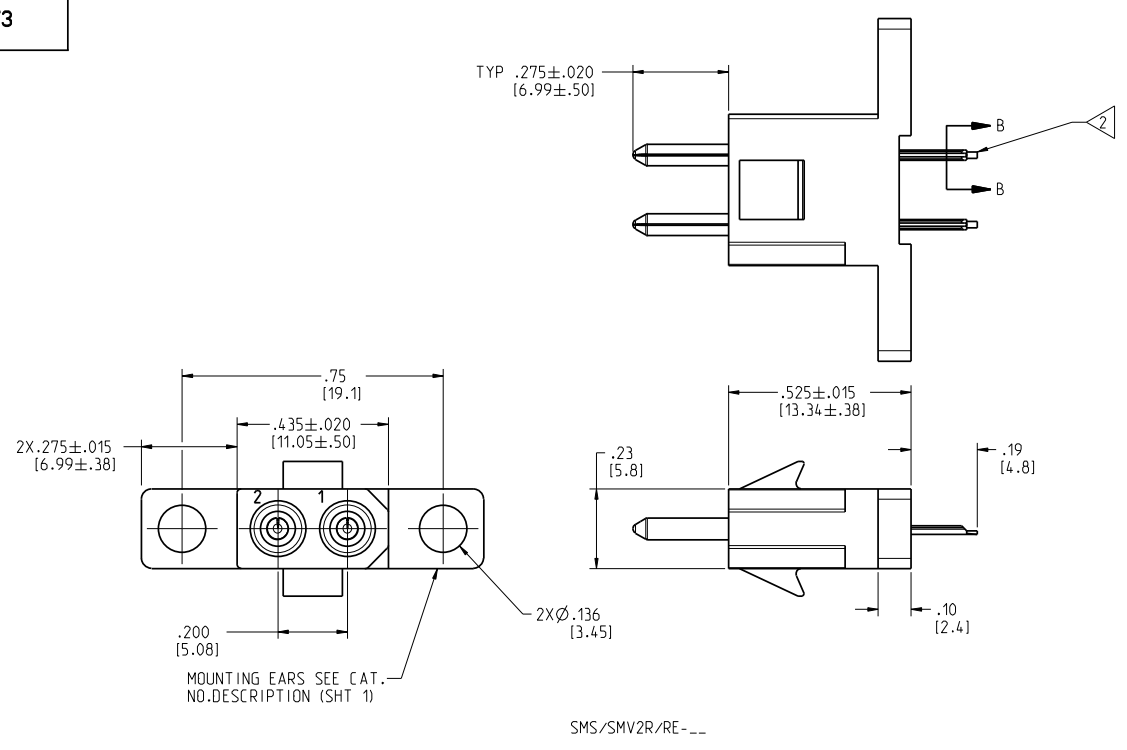
1

PRO-E

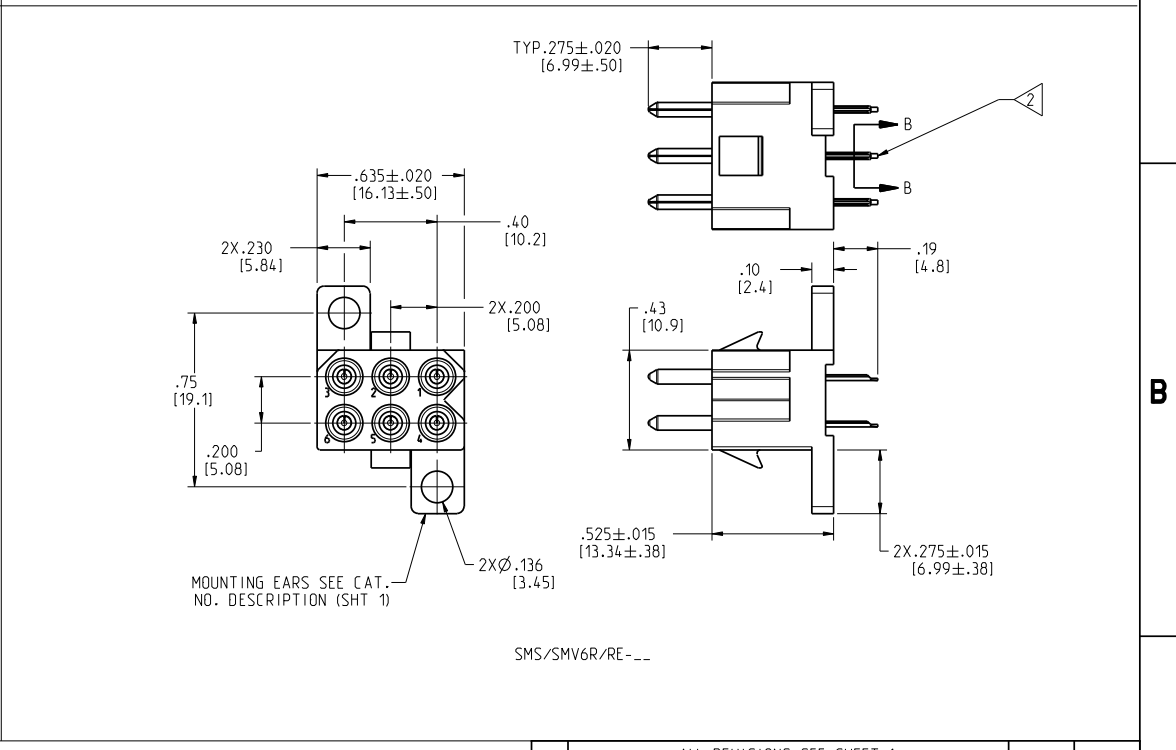
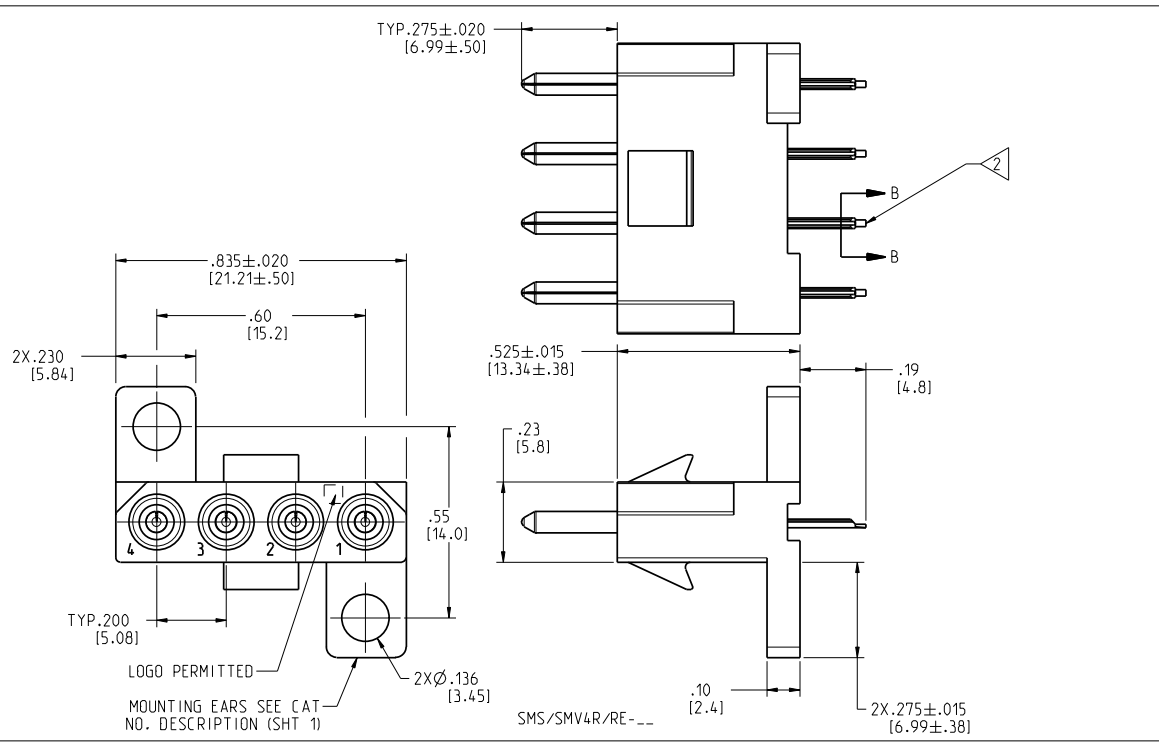
DWG. NO.  
**SE81873**

THIS DRAWING IS A CONTROLLED DOCUMENT FOR SOURIAU USA, INC. CONTACT THE DOCUMENT CONTROL CENTER FOR THE LATEST REVISION.

**C**

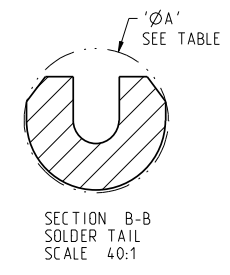


**B**



THE INFORMATION CONTAINED IN THIS DRAWING IS CONFIDENTIAL AND MAY NOT BE DISCLOSED WITHOUT WRITTEN CONSENT FROM SOURIAU USA, INC.

**4**



CATALOG NO.	DIAMETER "A"
SMS/SMV_R/RE-4---	.032 [0.81]
SMS/SMV_R/RE-6---	.050 [1.27]

LINEAR MEASURE:	<input type="checkbox"/> INCH [mm]	<input type="checkbox"/> INCH [mm]
THIRD ANGLE PROJECTION		
TOLERANCES UNLESS OTHERWISE SPECIFIED		
No. OF PLACES	INCH [mm]	
ONE PLACE	±.1 [±3]	
TWO PLACES	±.02 [±0.5]	
THREE PLACES	±.010 [±0.25]	
ANGLES	±1°	

ALL REVISIONS SEE SHEET-1		-	-
REV	DESCRIPTION	BY DATE	CHKD DATE
DRAWING TITLE			
<b>BOARD MOUNT QIKMATE RECTANGULAR CONNECTOR</b>			
CAT NO. <b>SMS/SMV_R/RE- (SEE TABLE)</b>			
CAGE NO: 09922	SIZE: C	DRAWN: SCP 05-05-09	
<b>CUSTOMER</b>		CHKD: NP 05-05-09	DRAWING SCALE: 3:1
		DSGN: DL 12-20-78	
INTERPRET THIS DRAWING IN ACCORDANCE WITH ASME Y14.5M - 1994.		MFG: DH 05-05-09	DRAWING NO. REV
		QC: BB 05-05-09	
		<b>SE81873</b>	
		www.souriau.com	
		2 OF 4	

**A**

**PRO-E**

**4**

**3**

**2**

**1**

**D**

**C**

**B**

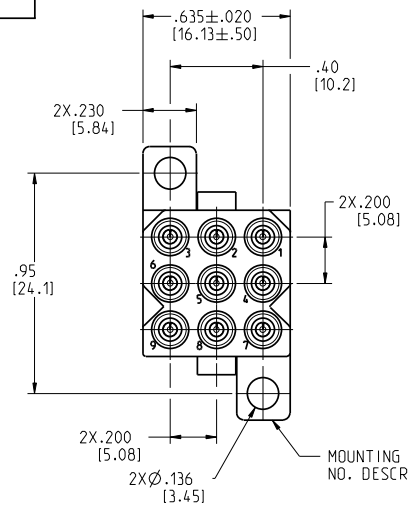
THIS DRAWING IS A CONTROLLED DOCUMENT FOR SOURIAU USA, INC. CONTACT THE DOCUMENT CONTROL CENTER FOR THE LATEST REVISION.

C

B

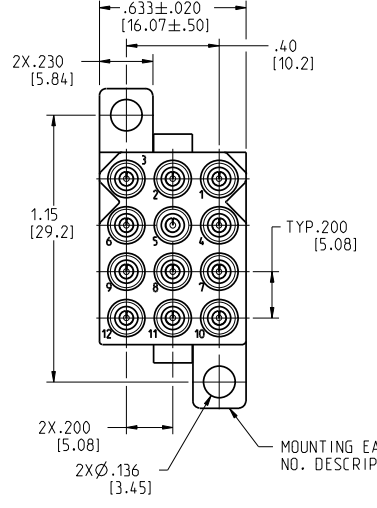
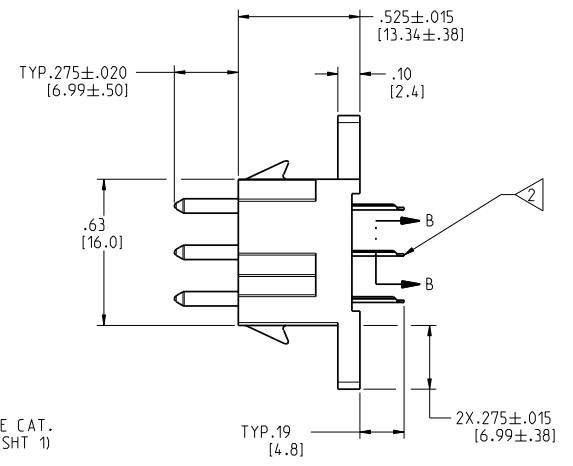
THE INFORMATION CONTAINED IN THIS DRAWING IS CONFIDENTIAL AND MAY NOT BE DISCLOSED WITHOUT WRITTEN CONSENT FROM SOURIAU USA, INC.

DWG. NO.  
**SE81873**



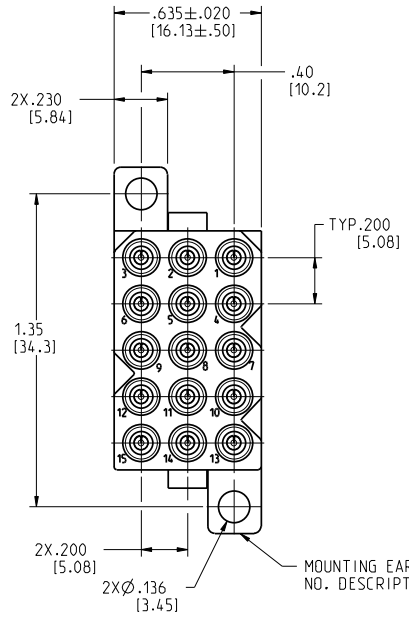
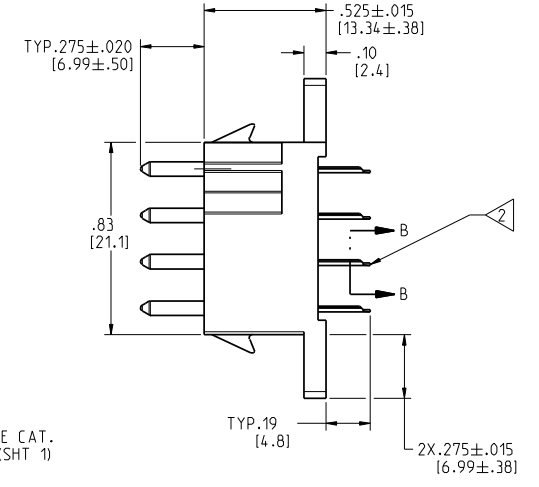
MOUNTING EARS SEE CAT. NO. DESCRIPTION (SHT 1)

SMS/SMV9R/RE---



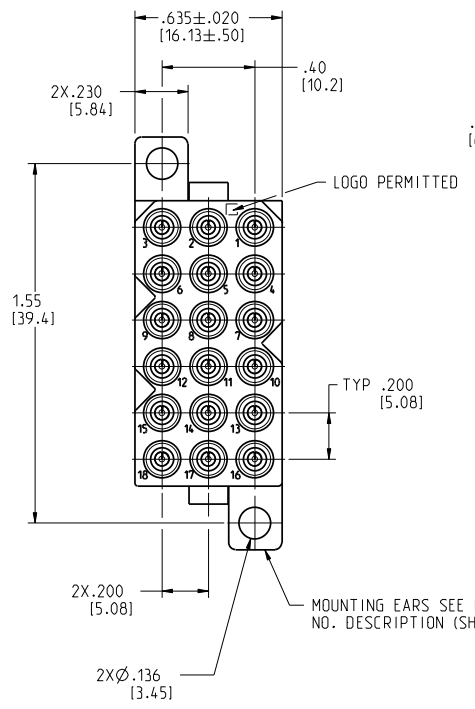
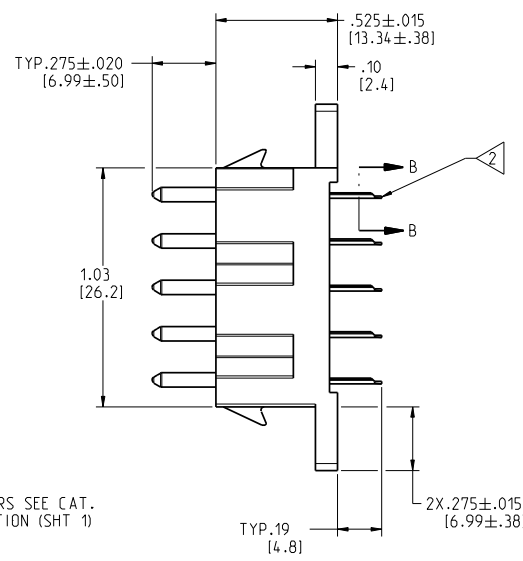
MOUNTING EARS SEE CAT. NO. DESCRIPTION (SHT 1)

SMS/SMV12R/RE---



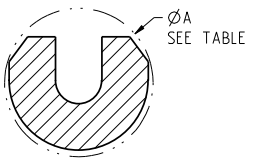
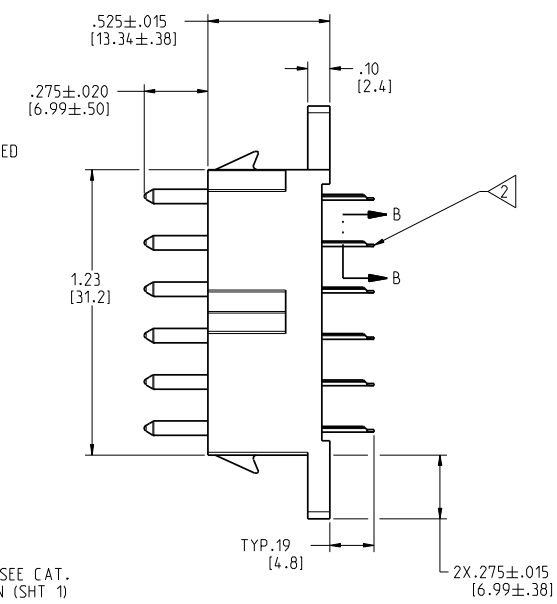
MOUNTING EARS SEE CAT. NO. DESCRIPTION (SHT 1)

SMS/SMV15R/RE---



MOUNTING EARS SEE CAT. NO. DESCRIPTION (SHT 1)

SMS/SMV18R/RE---



SECTION B-B  
SOLDER TAIL  
SCALE 40:1

CATALOG NO.	DIAMETER "A"
SMS/SMV__R/RE-4---	.032 [0.81]
SMS/SMV__R/RE-6---	.050 [1.27]

LINEAR MEASURE:	$\frac{\text{INCH}}{\text{mm}}$ INCH [mm]
THIRD ANGLE PROJECTION	
TOLERANCES UNLESS OTHERWISE SPECIFIED	
No. OF PLACES	INCH [mm]
ONE PLACE	±.1 [±3]
TWO PLACES	±.02 [±0.5]
THREE PLACES	±.010 [±0.25]
ANGLES	±1°

ALL REVISIONS SEE SHEET-1		-	-
REV	DESCRIPTION	BY DATE	CHKD DATE
DRAWING TITLE			
<b>BOARD MOUNT QIKMATE RECTANGULAR CONNECTOR</b>			
CAT. NO. <b>SMS/SMV__R/RE- (SEE TABLE)</b>			
CAGE NO: 09922	SIZE: C		
<b>CUSTOMER</b>			
INTERPRET THIS DRAWING IN ACCORDANCE WITH ASME Y14.5M - 1994.		www.souriau.com	
DRAWN: SCP	05-05-09		
CHKD: NP	05-05-09		
DSGN: DL	12-20-78		
MFG: DH	05-05-09		
QC: BB	05-05-09		
DRAWING SCALE: 2:1			
DRAWING NO. <b>SE81873</b>		REV <b>K</b>	
3 OF 4			

4

3

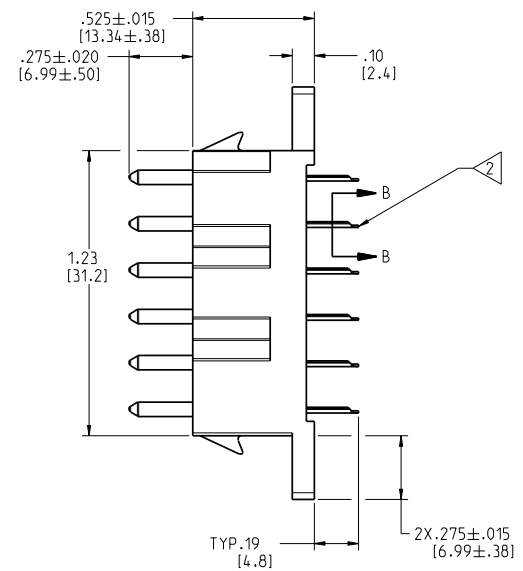
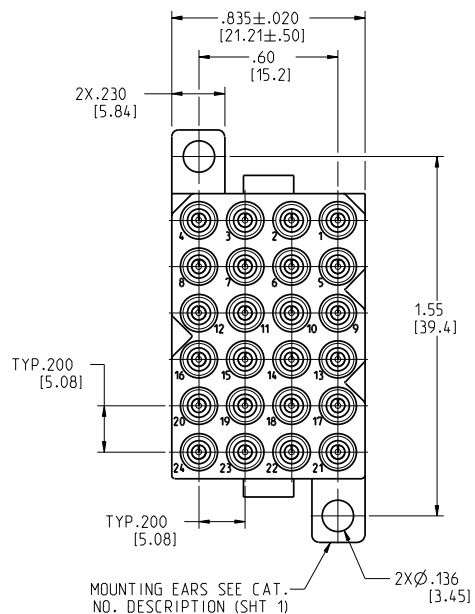
2

1

PRO-E

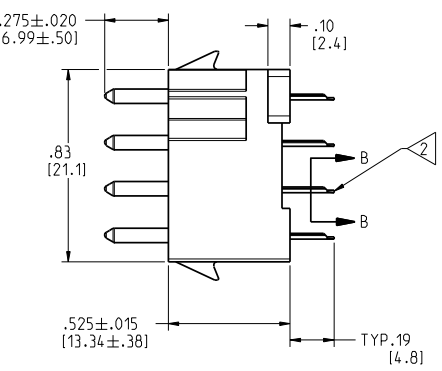
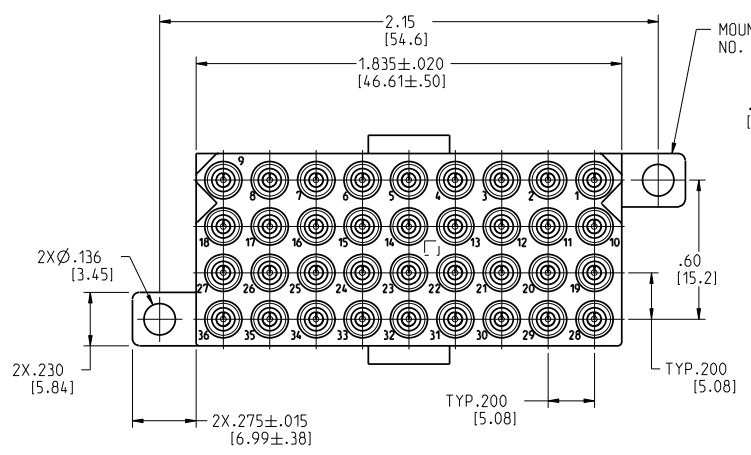
DWG. NO.  
**SE81873**

THIS DRAWING IS A CONTROLLED DOCUMENT FOR SOURIAU USA, INC. CONTACT THE DOCUMENT CONTROL CENTER FOR THE LATEST REVISION.



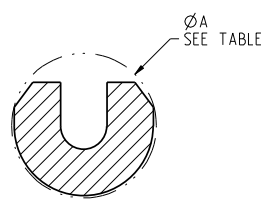
MOUNTING EARS SEE CAT. NO. DESCRIPTION (SHT 1)

SMS/SMV24R/RE---



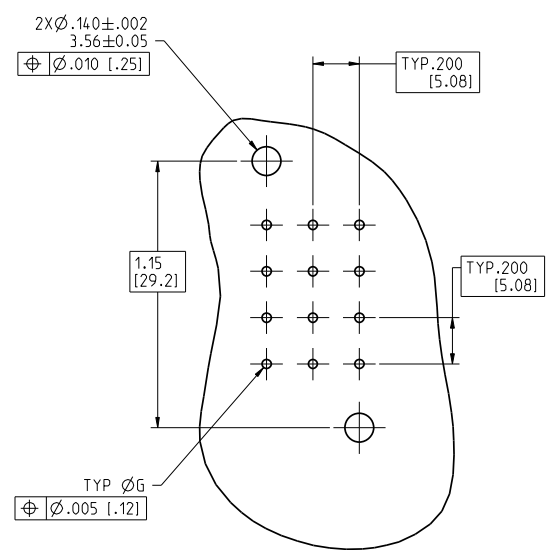
MOUNTING EARS SEE CAT. NO. DESCRIPTION (SHT 1)

SMS/SMV36R/RE----



SECTION B-B  
SOLDER TAIL  
SCALE 40:1

CATALOG NO.	DIAMETER 'A'
SMS/SMV_R/RE-4---	.032 [0.81]
SMS/SMV_R/RE-6---	.050 [1.27]



TYP RECOMMENDED PRINT CIRCUIT BOARD LAY OUT (12 POSITION SHOWN)

CATALOG NO.	"ØG ±.002[0.05]
SMS/SMV_R/RE-4---	.047 [1.9]
SMS/SMV_R/RE-6---	.067 [1.70]

REV	DESCRIPTION	BY DATE	CHKD DATE
-	ALL REVISIONS SEE SHEET-1	-	-

**BOARD MOUNT QIKMATE RECTANGULAR CONNECTOR**

CAT NO. **SMS/SMV\_R/RE- (SEE TABLE)**

LINEAR MEASURE:	<input type="checkbox"/> INCH [mm]	<input type="checkbox"/> INCH [mm]
THIRD ANGLE PROJECTION		
TOLERANCES UNLESS OTHERWISE SPECIFIED		
No. OF PLACES	INCH [mm]	
ONE PLACE	±.1 [±3]	
TWO PLACES	±.02 [±0.5]	
THREE PLACES	±.010 [±0.25]	
ANGLES	±1°	

CAGE NO: 09922 SIZE: C

**CUSTOMER**

INTERPRET THIS DRAWING IN ACCORDANCE WITH ASME Y14.5M - 1994.

**SOURIAU**  
Conversion Technology  
www.souriau.com

DRAWN: SCP	05-05-09
CHKD: NP	05-05-09
DSGN: DL	12-20-09
MFG: DH	05-05-09
QC: BB	05-05-09
DRAWING SCALE: 1:1	
DRAWING NO.	REV
<b>SE81873</b>	K

4 OF 4

C

B

THE INFORMATION CONTAINED IN THIS DRAWING IS CONFIDENTIAL AND MAY NOT BE DISCLOSED WITHOUT WRITTEN CONSENT FROM SOURIAU USA, INC.

4

3

2

1

PRO-E

D

C

B

A