



Chipsmall Limited consists of a professional team with an average of over 10 year of expertise in the distribution of electronic components. Based in Hongkong, we have already established firm and mutual-benefit business relationships with customers from,Europe,America and south Asia,supplying obsolete and hard-to-find components to meet their specific needs.

With the principle of "Quality Parts,Customers Priority,Honest Operation,and Considerate Service",our business mainly focus on the distribution of electronic components. Line cards we deal with include Microchip,ALPS,ROHM,Xilinx,Pulse,ON,Everlight and Freescale. Main products comprise IC,Modules,Potentiometer,IC Socket,Relay,Connector.Our parts cover such applications as commercial,industrial, and automotives areas.

We are looking forward to setting up business relationship with you and hope to provide you with the best service and solution. Let us make a better world for our industry!



Contact us

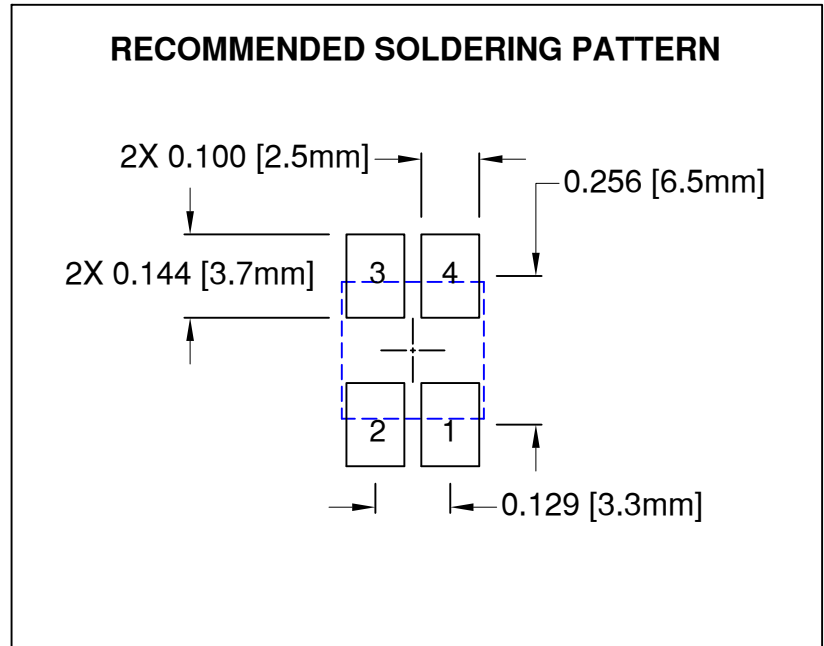
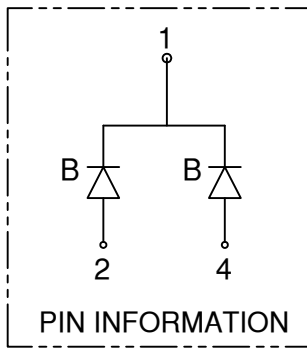
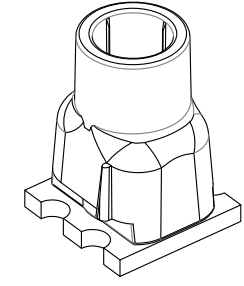
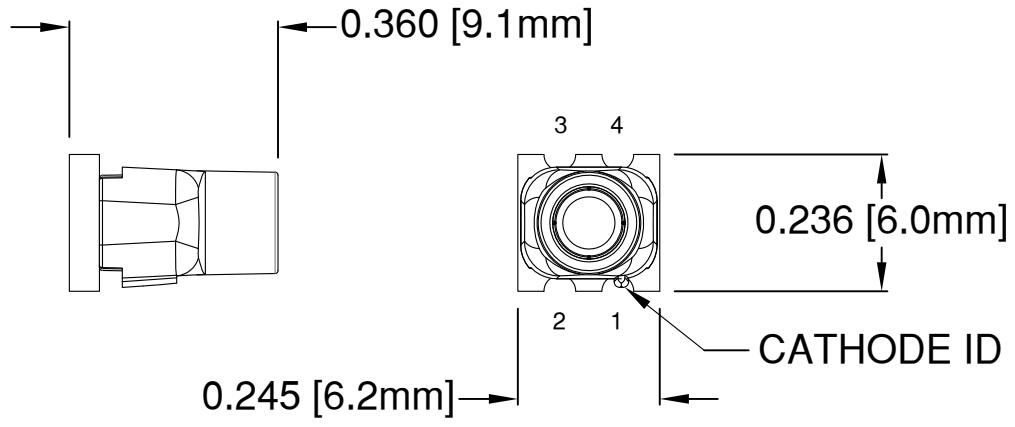
Tel: +86-755-8981 8866 Fax: +86-755-8427 6832

Email & Skype: info@chipsmall.com Web: www.chipsmall.com

Address: A1208, Overseas Decoration Building, #122 Zhenhua RD., Futian, Shenzhen, China



| REV. | DESCRIPTION | DATE | APPROVED |
|------|--|----------|----------|
| B | Engineering Release | 02/27/15 | J. C. |
| C | Revised Side View, See Page 4 | 03/20/15 | J. C. |
| D | Corrected Typo in Recom. Soldering Pattern | 09/12/16 | J. C. |
| | | | |



| ABSOLUTE MAXIMUM RATINGS at Ta=25°C | |
|-------------------------------------|---------------------|
| REVERSE VOLTAGE | 5V |
| REVERSE CURRENT | 100µA |
| OPERATING TEMPERATURE RANGE | -35°C - 85°C |
| STORAGE TEMPERATURE | -35°C - 85°C |
| MAX SOLDERING TEMPERATURE | 260°C FOR 3 SECONDS |



NOTES:
 2. DERATING OF FORWARD CURRENT PER SEGMENT, 0.30mA/°C at T ≥ 25°C
 1. ACCEPTS BIVAR FLEXIBLE LIGHT PIPE STYLE FLPS2031

| | | | |
|--|--------------------------|--|-----------------------|
| STANDARD TOLERANCE (UNLESS OTHERWISE SPECIFIED) | | 4 THOMAS, IRVINE, CA. 92618 TEL: (949) 951-8808 FAX: (949) 951-3974 | |
| DECIMALS | ANGULAR | | |
| .X ± .1 | X° ± 1° | TITLE: SMT FLP VERTICAL ADAPTER, BLUE | |
| .XX ± .02 | | | |
| .XXX ± .010 | | | |
| DESIGNED: A. Wright | DATE: 03/13/14 | PART NO: SMTV01-BXX | REVISION: D |
| CHECKED: B. Oliver | DATE: 03/13/14 | CAGE CODE : 32559 | SHEET # 1 OF 4 |
| CAD GENERATED DOCUMENT. DO NOT MEASURE DRAWING. | | | |

| REV. | DESCRIPTION | DATE | APPROVED |
|------|--------------|------|----------|
| | SEE SHEET #1 | | |
| | | | |
| | | | |
| | | | |

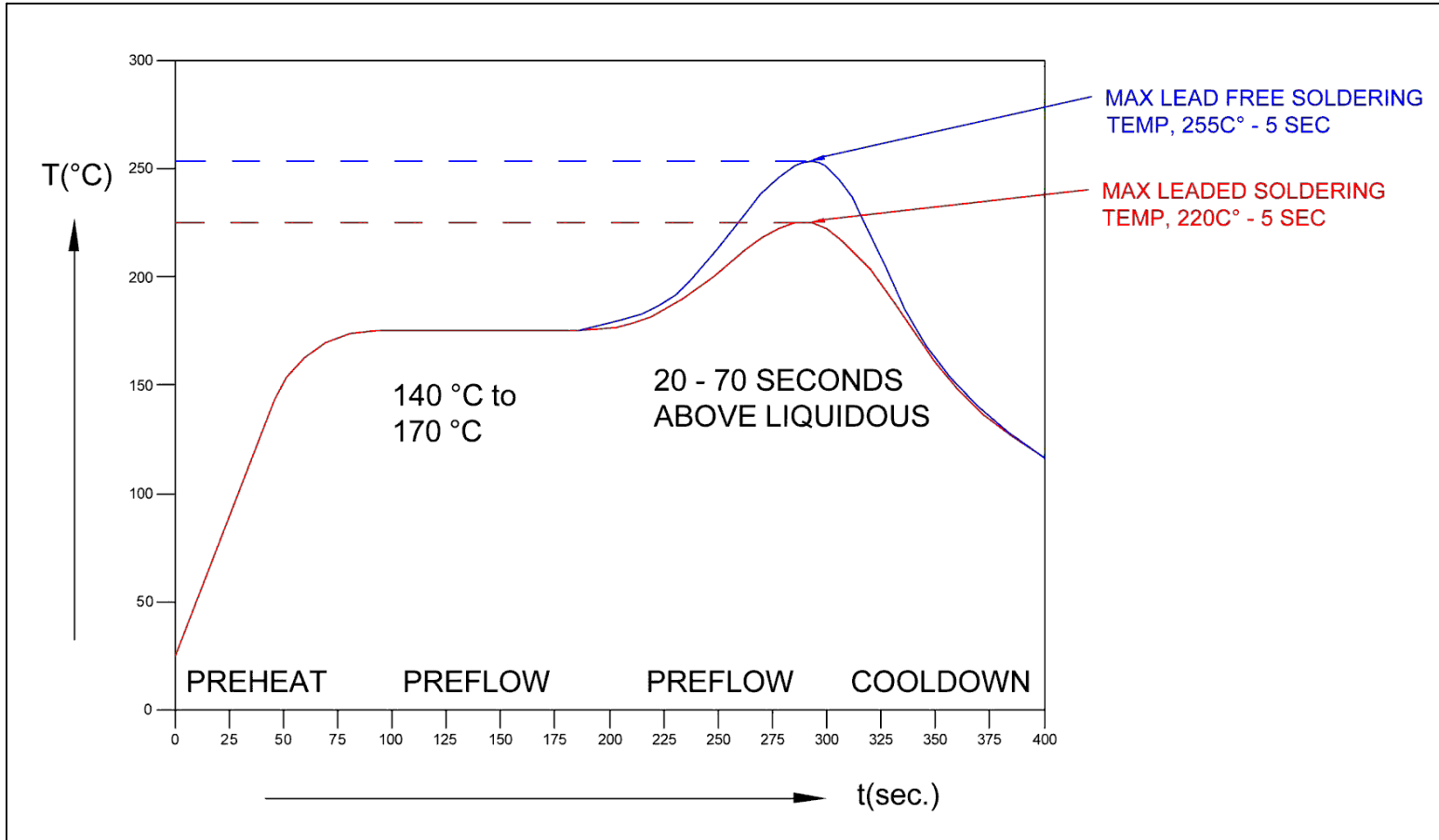
| Part Number | Chip | | | | Absolute Maximum Ratings Per Segment | | | Electro-Optical Data @40mA, 25°C | | | |
|-------------|------------------|------------------|-----|-----|---|---------------|--------------------|-------------------------------------|-----|-----|----------------|
| | Emitted Color | λ_D [nm] | | | P_d [mW] | I_f [mA] | Peak I_f [mA] | V_f [V] | | | I_v [mcd] |
| | | MIN | TYP | MAX | | | | MIN | TYP | MAX | TYP |
| SMTV01-B11 | BLUE | 460 | 465 | 470 | 100 | 25 | 100 | 2.8 | 3.3 | 3.8 | 110 |
| SMTV01-B16 | | | | | 100 | 25 | 100 | | | | 161 |
| SMTV01-B19 | | | | | 100 | 25 | 100 | | | | 187 |

Note: 10% Duty Cycle, Pulse Width ≤ 0.1 msec for Peak I_f .


| | | | |
|--|--------------------------|--|--------------------------|
| STANDARD TOLERANCE (UNLESS OTHERWISE SPECIFIED) | |  BIVAR [®] 4 THOMAS, IRVINE, CA. 92618 TEL: (949) 951-8808 FAX: (949) 951-3974 | |
| DECIMALS | ANGULAR | | |
| .X ± .1 | X° ± 1° |  | |
| .XX ± .02 | | | |
| .XXX ± .010 | | TITLE: SMT FLP VERTICAL ADAPTER, BLUE | |
| DESIGNED: A. Wright | DATE: 03/13/14 | PART NO: SMTV01-BXX | |
| CHECKED: B. Oliver | DATE: 03/13/14 | REVISION: D | CAGE CODE : 32559 |
| | | SHEET # 2 OF 4 <small>CAD GENERATED DOCUMENT, DO NOT MEASURE DRAWING.</small> | |

| REV. | DESCRIPTION | DATE | APPROVED |
|------|--------------|------|----------|
| | SEE SHEET #1 | | |
| | | | |
| | | | |
| | | | |

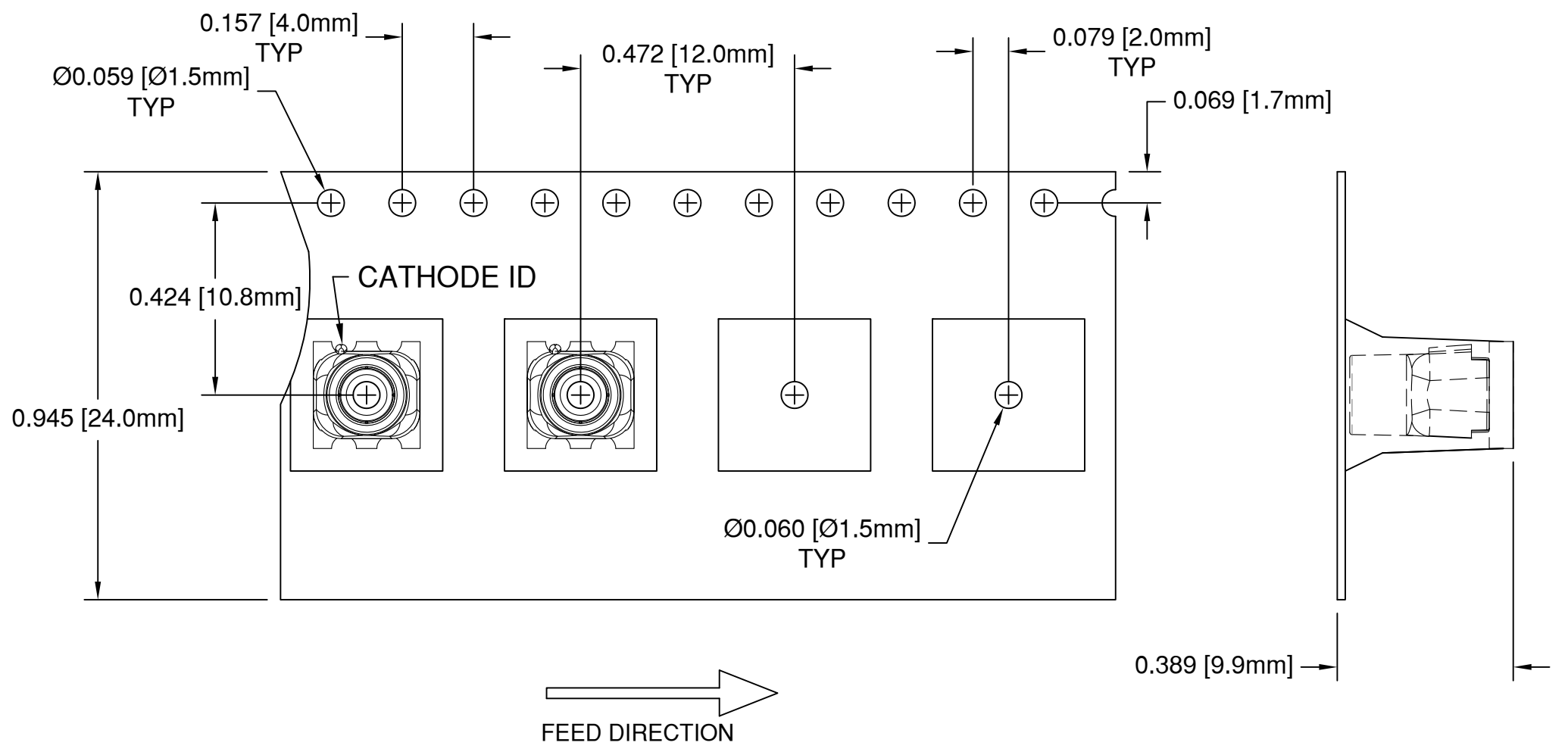
Recommended Reflow Soldering Profile




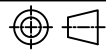
NOTE:
 1. Do not clean after soldering. Only use no-clean solder paste.

| | | | |
|---|--|--|--|
| STANDARD TOLERANCE (UNLESS OTHERWISE SPECIFIED) DECIMALS ANGULAR .X ± .1 X° ± 1° .XX ± .02 .XXX ± .010 | |  4 THOMAS, IRVINE, CA. 92618 TEL: (949) 951-8808 FAX: (949) 951-3974 | |
| DESIGNED: A. Wright | | DATE: 03/13/14 | |
| CHECKED: B. Oliver | | DATE: 03/13/14 | |
| TITLE: SMT FLP VERTICAL ADAPTER , BLUE | | PART NO: SMTV01-BXX | |
| REVISION: D | | CAGE CODE : 32559 SHEET # 3 OF 4 | |
| CAD GENERATED DOCUMENT. DO NOT MEASURE DRAWING. | | | |

| REV. | DESCRIPTION | DATE | APPROVED |
|------|--------------|------|----------|
| | SEE SHEET #1 | | |
| | | | |
| | | | |
| | | | |



NOTES:
 3. MOISTURE SENSITIVITY LEVEL: 4
 2. UNLESS OTHERWISE SPECIFIED, PACKAGING TO COMPLY WITH EIA-481-D
 1. 500 pcs PER REEL

| | | | |
|--|---------|---|--|
| STANDARD TOLERANCE (UNLESS OTHERWISE SPECIFIED) | |  4 THOMAS, IRVINE, CA. 92618 TEL: (949) 951-8808 FAX: (949) 951-3974 | |
| DECIMALS | ANGULAR | | |
| .X ± .1 | X° ± 1° |  | TITLE: SMT FLP VERTICAL ADAPTER, BLUE |
| .XX ± .02 | | | PART NO: SMTV01-BXX |
| .XXX ± .010 | | DESIGNED: A. Wright | DATE: 03/13/14 |
| | | CHECKED: B. Oliver | DATE: 03/13/14 |
| | | CAGE CODE : 32559 | SHEET # 4 OF 4 |
| CAD GENERATED DOCUMENT. DO NOT MEASURE DRAWING. | | | |