



Chipsmall Limited consists of a professional team with an average of over 10 year of expertise in the distribution of electronic components. Based in Hongkong, we have already established firm and mutual-benefit business relationships with customers from,Europe,America and south Asia,supplying obsolete and hard-to-find components to meet their specific needs.

With the principle of "Quality Parts,Customers Priority,Honest Operation,and Considerate Service",our business mainly focus on the distribution of electronic components. Line cards we deal with include Microchip,ALPS,ROHM,Xilinx,Pulse,ON,Everlight and Freescale. Main products comprise IC,Modules,Potentiometer,IC Socket,Relay,Connector.Our parts cover such applications as commercial,industrial, and automotives areas.

We are looking forward to setting up business relationship with you and hope to provide you with the best service and solution. Let us make a better world for our industry!



Contact us

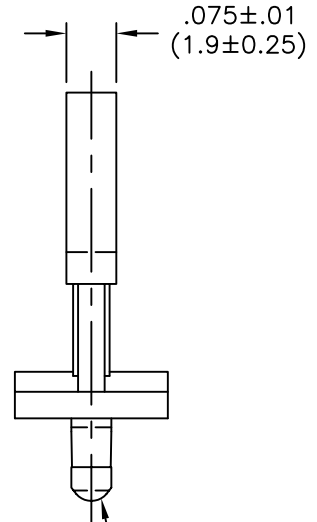
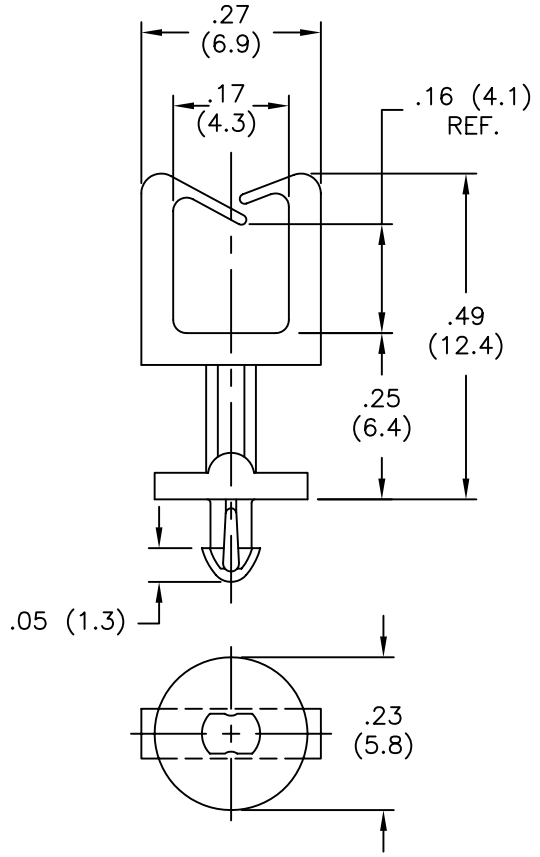
Tel: +86-755-8981 8866 Fax: +86-755-8427 6832

Email & Skype: info@chipsmall.com Web: www.chipsmall.com

Address: A1208, Overseas Decoration Building, #122 Zhenhua RD., Futian, Shenzhen, China



PART NUMBER		HOLE DIAMETER	PANEL THICKNESS
NYLON 6/6 RMS-01, NATURAL	FLAME RETARD. NYLON RMS-19, NATURAL		
SMWS-1-01	SMWS-1-19	.070±.002 (1.78±0.05)	.062 (1.57)
SMWS1-1-01	SMWS1-1-19		.093 (2.36)



TO SNAP-LOCK IN A .070±.002
(1.78±0.05) DIA. HOLE,
SEE TABLE FOR PANEL THICKNESS.

TITLE: STANDOFF MICRO WIRE SADDLE						DWG IN IN (MM)	
TOLERANCES UNLESS NOTED .XX=±.010 .XXX=±.005 FRAC=±1/64 ANG=±1°		FILE # SMWS	DWN: S.M.	APP:		FINAL	
C SEE ECN #971 FOR CHANGES SK 04.01.05		MAT'L: SEE TABLE	DT: 11/06/00	DT:		PART #	
B SEE ECN #561 FOR CHANGES SM 01.22.03		RE: RICHCO, INC.	RICHCO INC. PO BOX 804238, CHICAGO, 60680 (773) 539-4060		SEE TABLE		PRINT TYPE CA
A CHANGED FILE NUMBER SM 05.29.01							
REV DESCRIPTION ENGR DATE							

C	SEE ECN #971 FOR CHANGES	SK 04.01.05
B	SEE ECN #561 FOR CHANGES	SM 01.22.03
A	CHANGED FILE NUMBER	SM 05.29.01
REV	DESCRIPTION	ENGR DATE