



Chipsmall Limited consists of a professional team with an average of over 10 year of expertise in the distribution of electronic components. Based in Hongkong, we have already established firm and mutual-benefit business relationships with customers from,Europe,America and south Asia,supplying obsolete and hard-to-find components to meet their specific needs.

With the principle of “Quality Parts,Customers Priority,Honest Operation,and Considerate Service”,our business mainly focus on the distribution of electronic components. Line cards we deal with include Microchip,ALPS,ROHM,Xilinx,Pulse,ON,Everlight and Freescale. Main products comprise IC,Modules,Potentiometer,IC Socket,Relay,Connector.Our parts cover such applications as commercial,industrial, and automotives areas.

We are looking forward to setting up business relationship with you and hope to provide you with the best service and solution. Let us make a better world for our industry!



Contact us

Tel: +86-755-8981 8866 Fax: +86-755-8427 6832

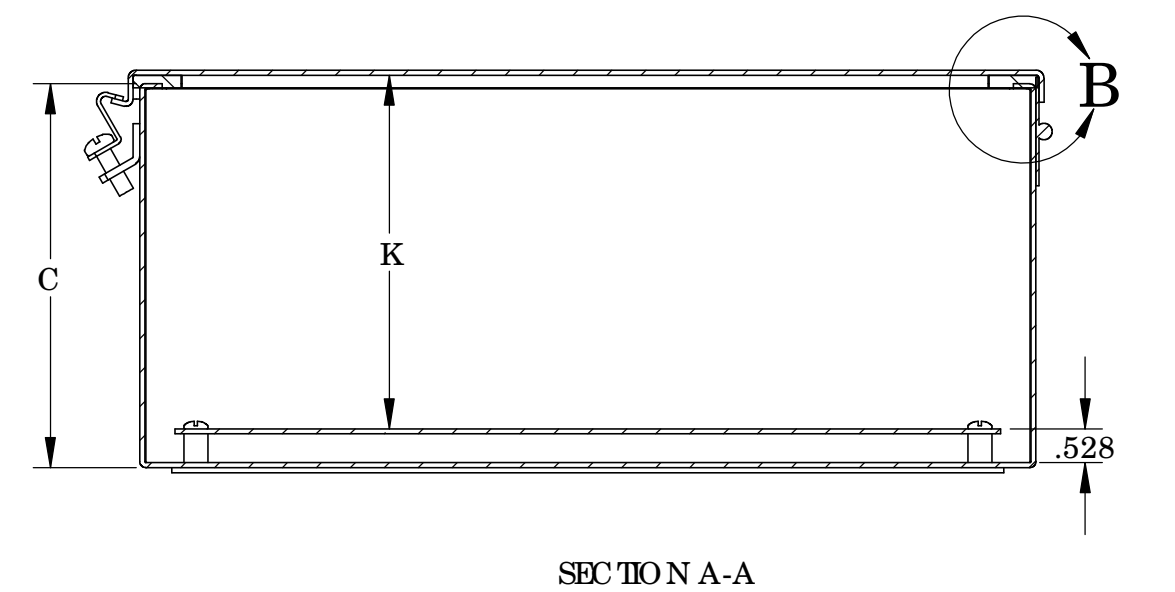
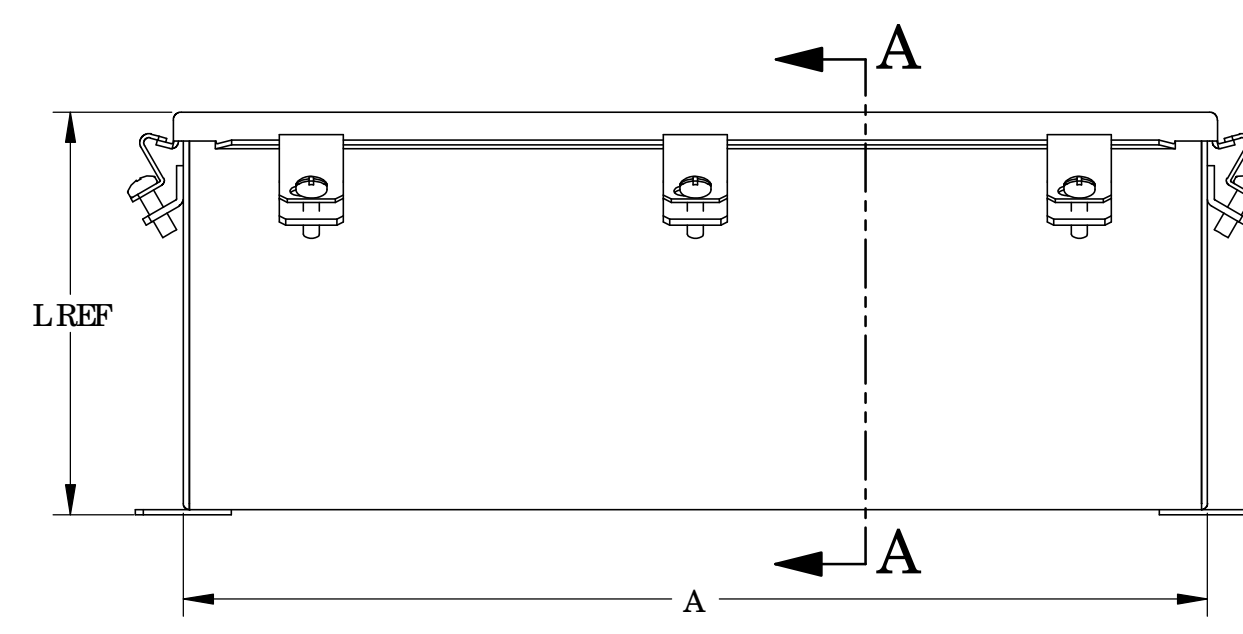
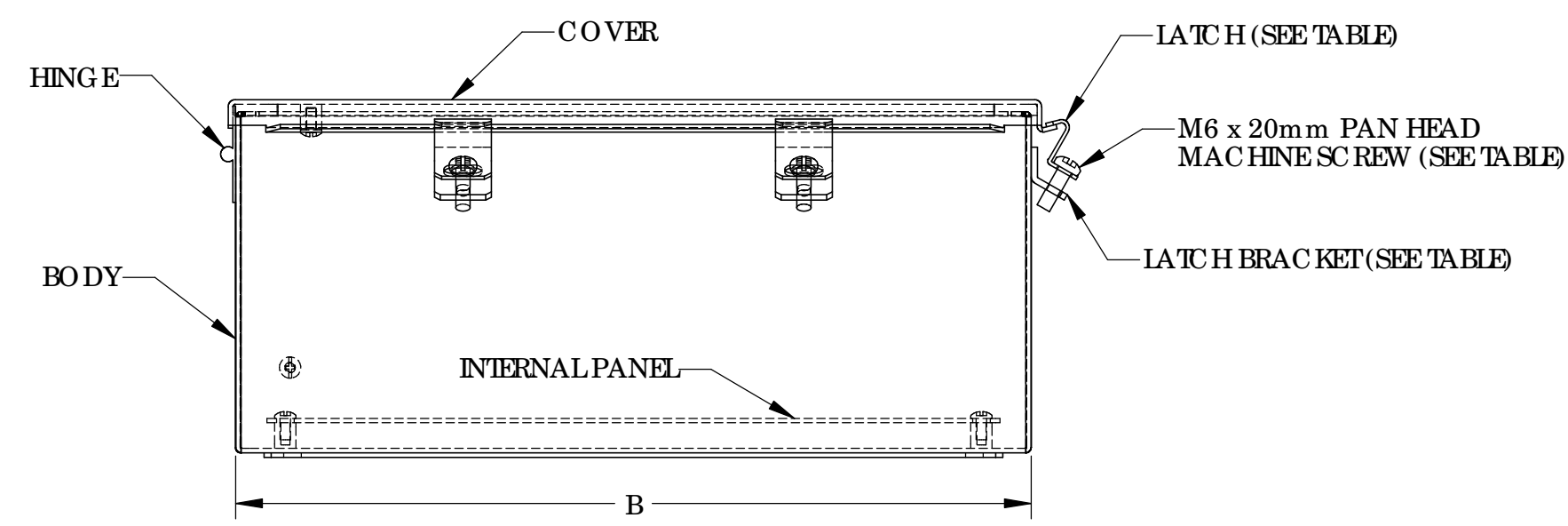
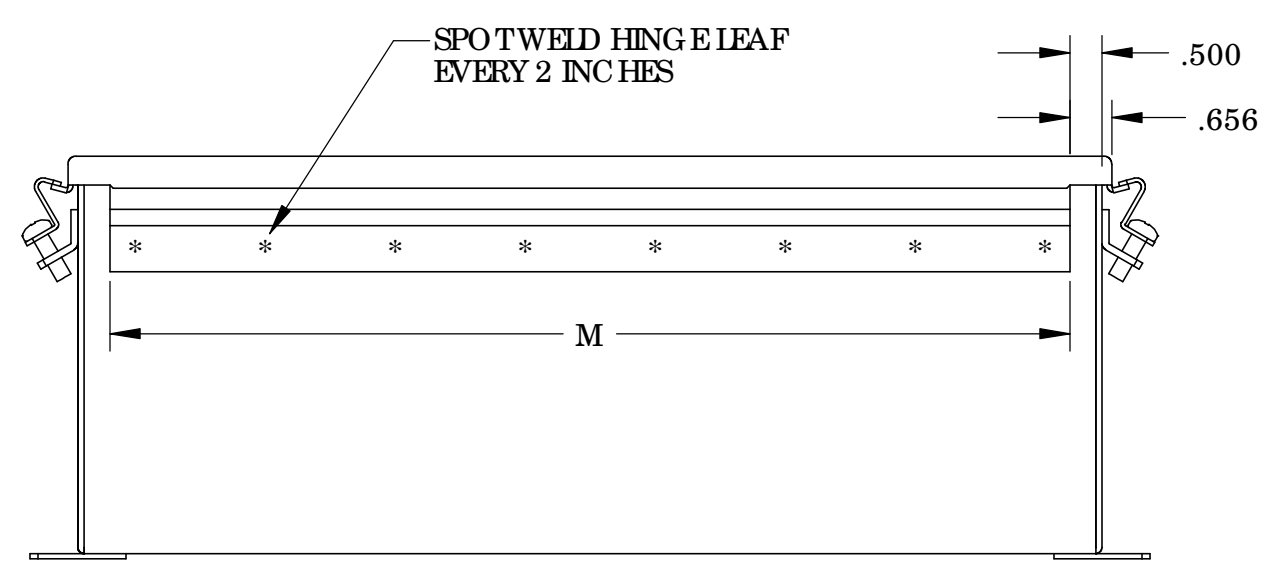
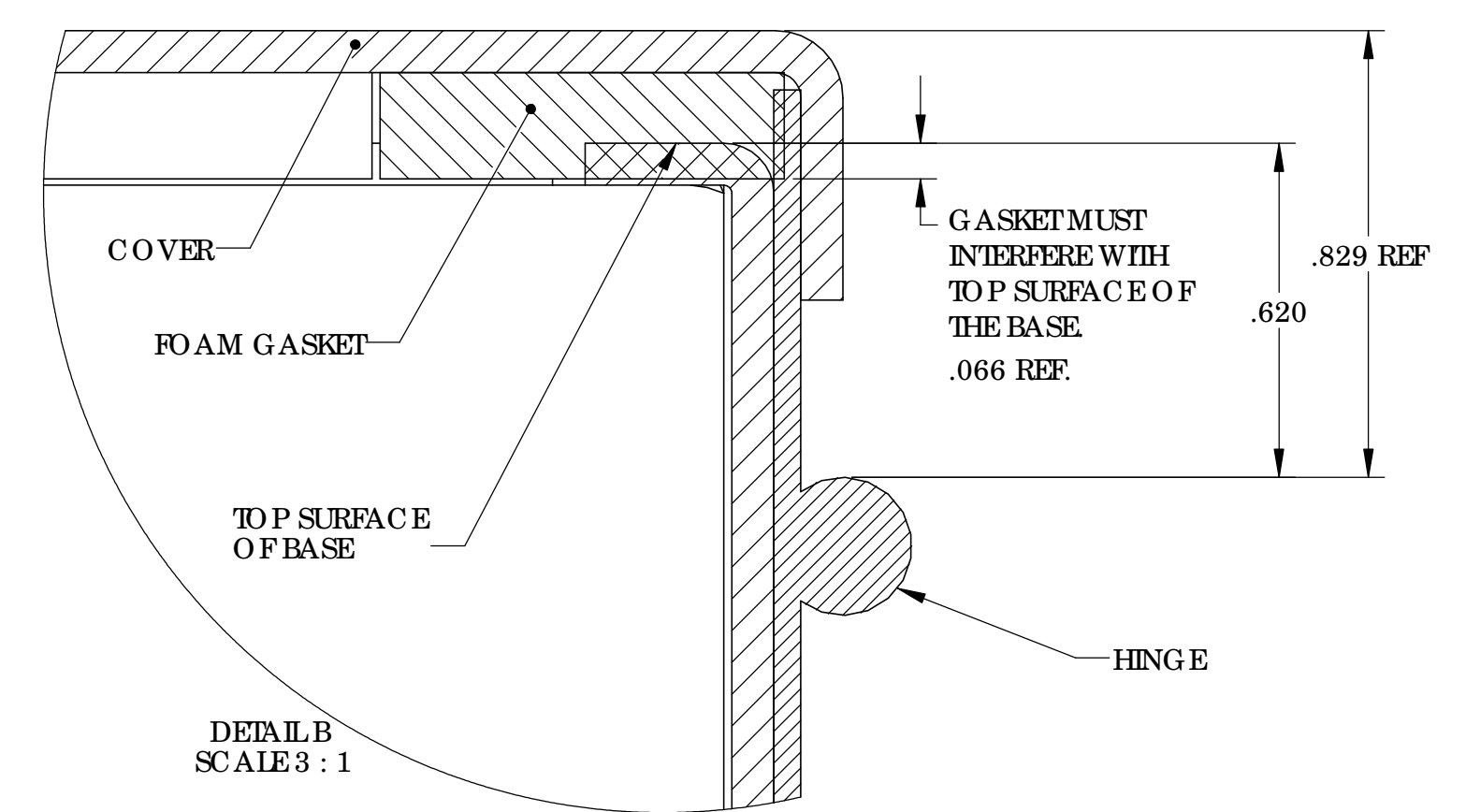
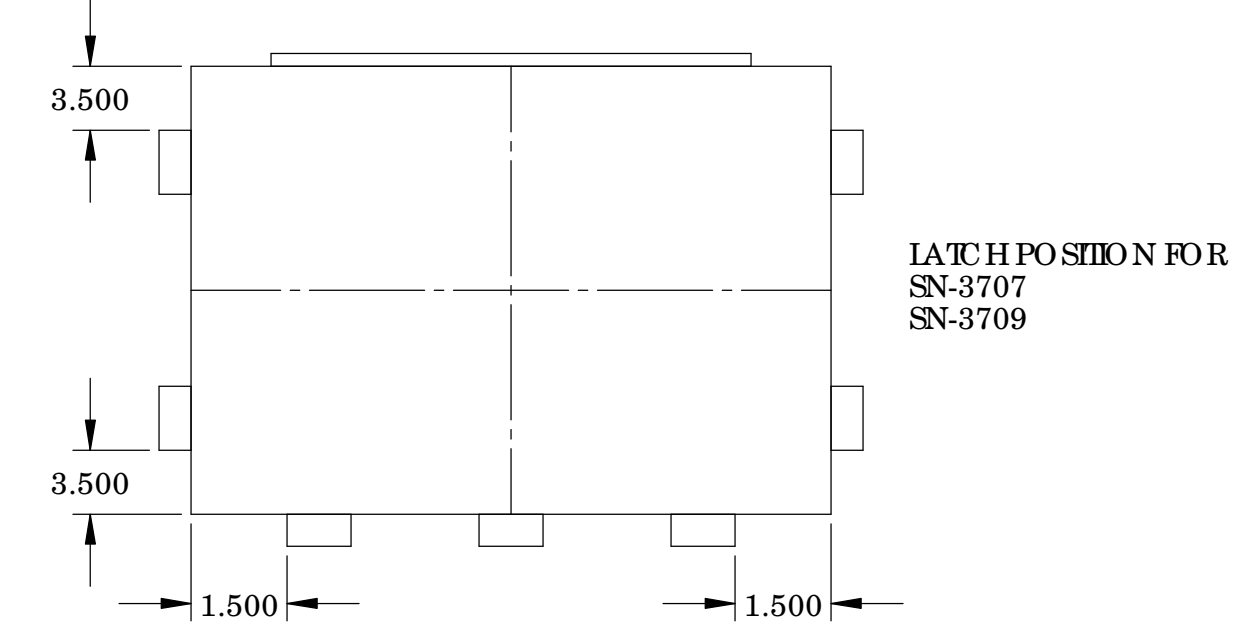
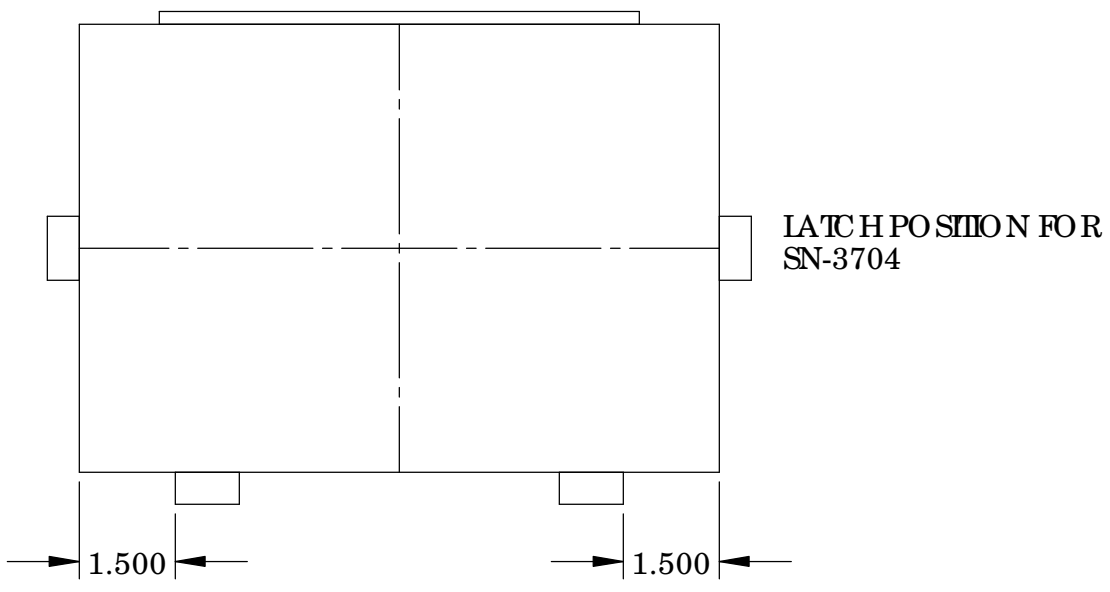
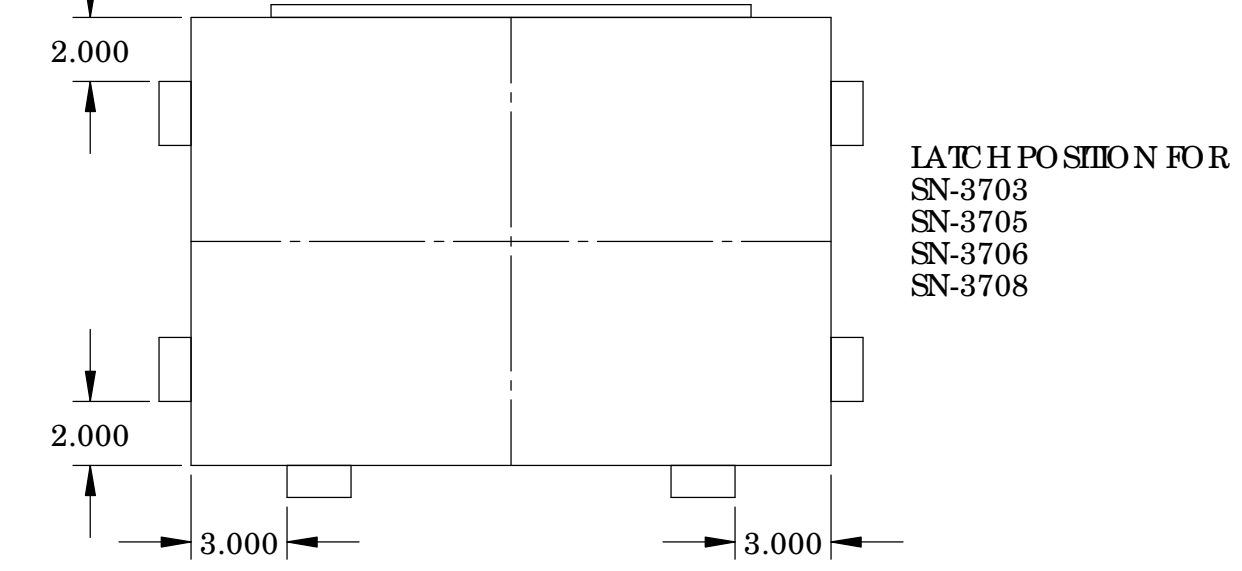
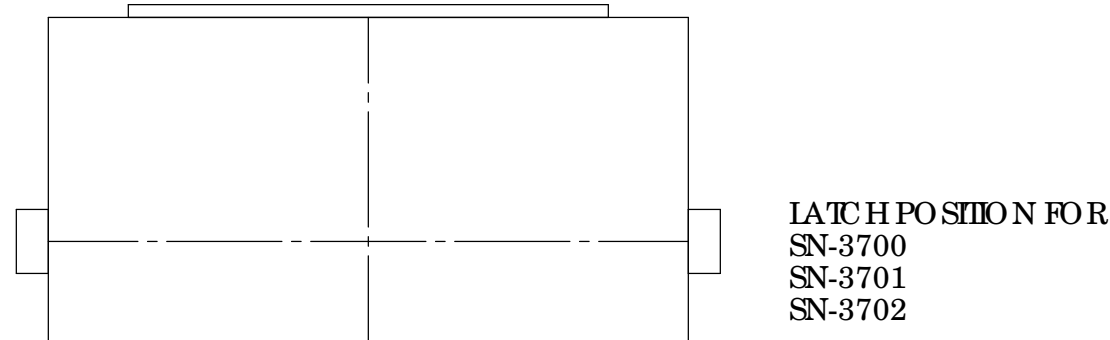
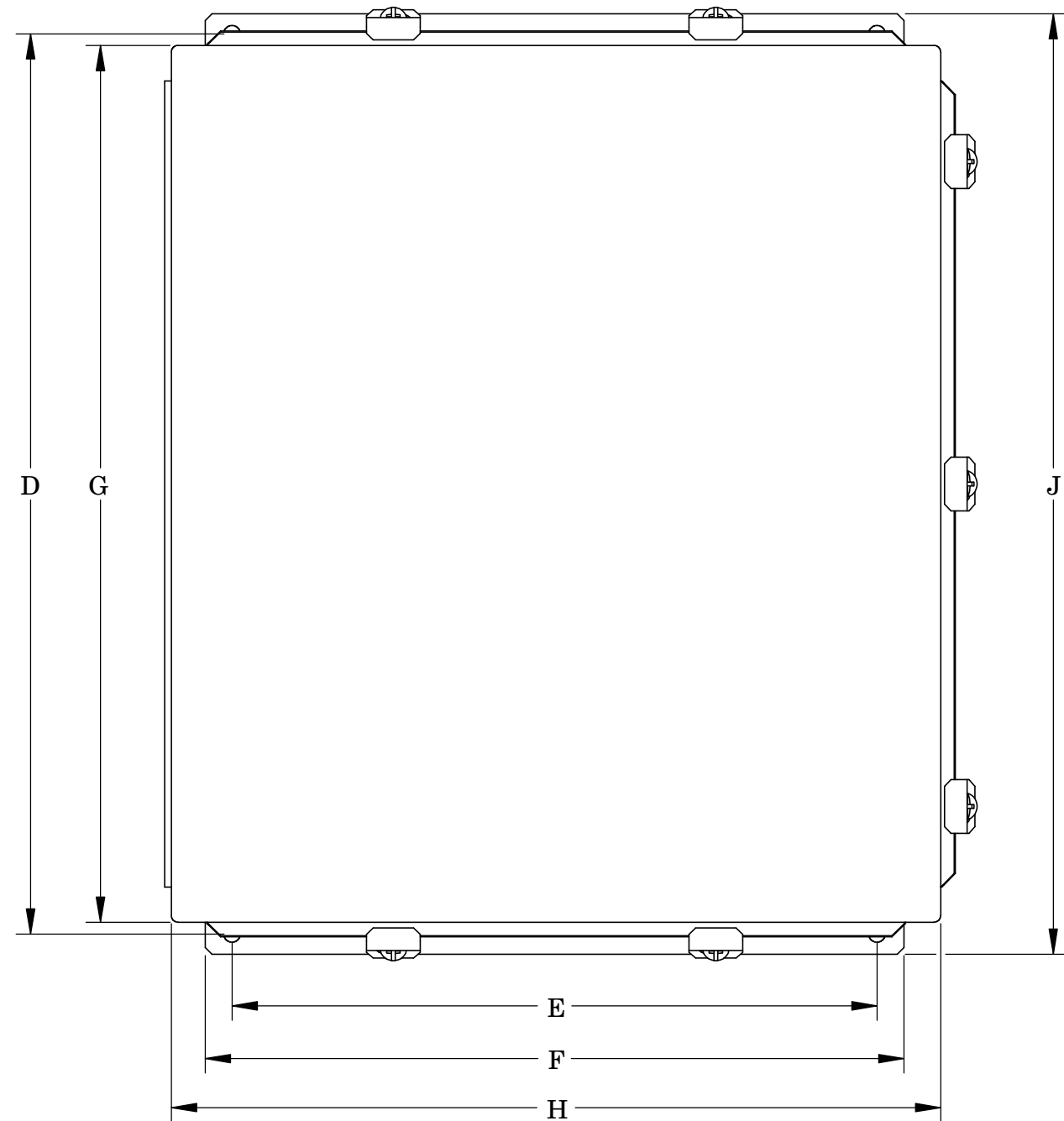
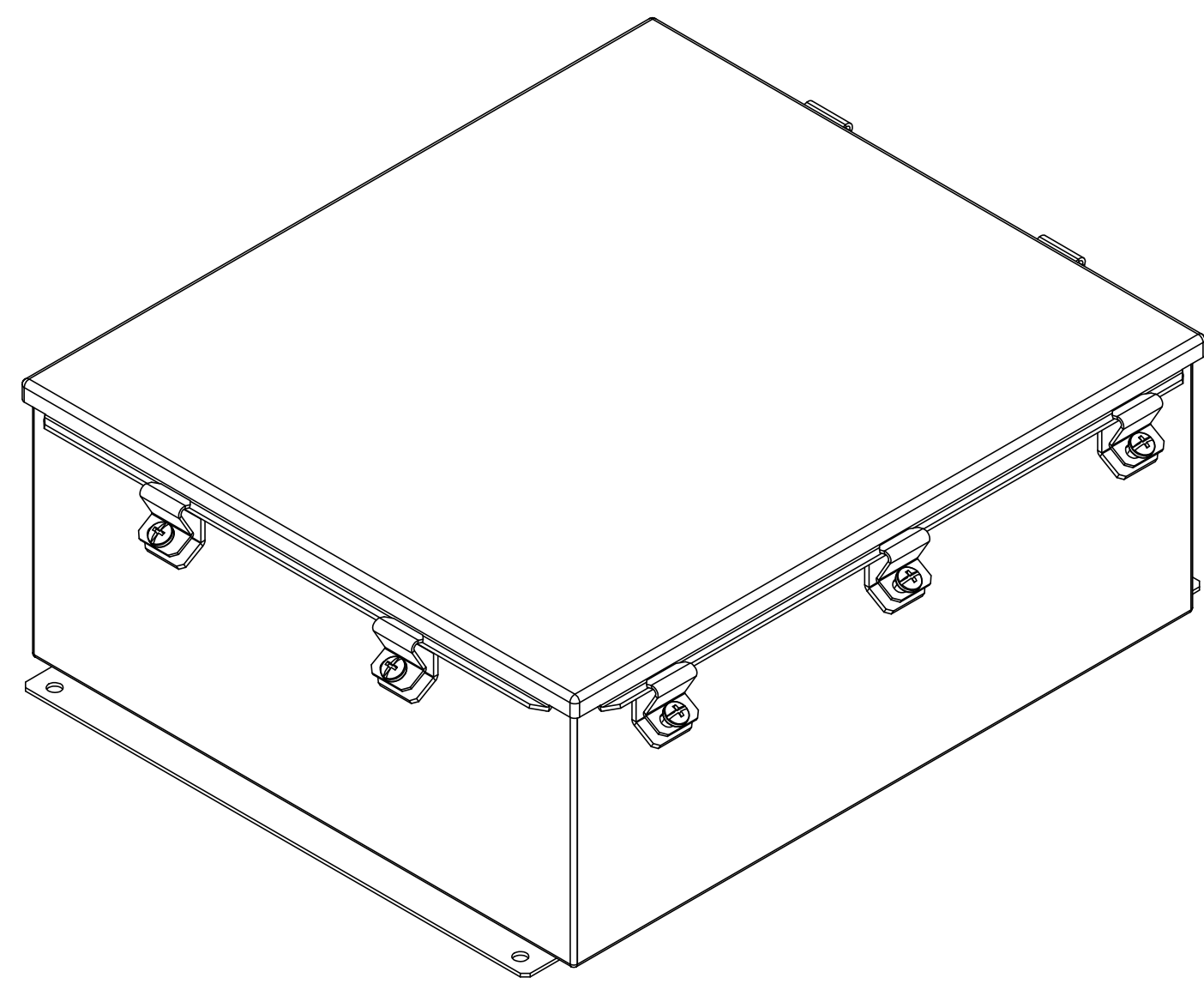
Email & Skype: info@chipsmall.com Web: www.chipsmall.com

Address: A1208, Overseas Decoration Building, #122 Zhenhua RD., Futian, Shenzhen, China



THE INFORMATION CONTAINED IN THIS DRAWING IS THE SOLE PROPERTY OF BUD INDUSTRIES INC. ANY REPRODUCTION IN PART OR WHOLE WITHOUT THE WRITTEN PERMISSION OF BUD INDUSTRIES INC. IS PROHIBITED.

SN-3700	
ISSUE	REVISIONS
(A)	ADDED LATCH DETAILS 3-1-06
(B)	UPDATED COVER ASSY., UPDATED COVER LOCATION 5-4-06 DP
(C)	UPDATED WELD INFO., HINGE AND LATCH LOCATION. ADDED DETAIL B. UPDATED PART NUMBERS 5-16-06 DP
(D)	UPDATED HARDWARE INFO. 6-28-06 DP
(E)	ADDED LABELS 8-3-06 DP



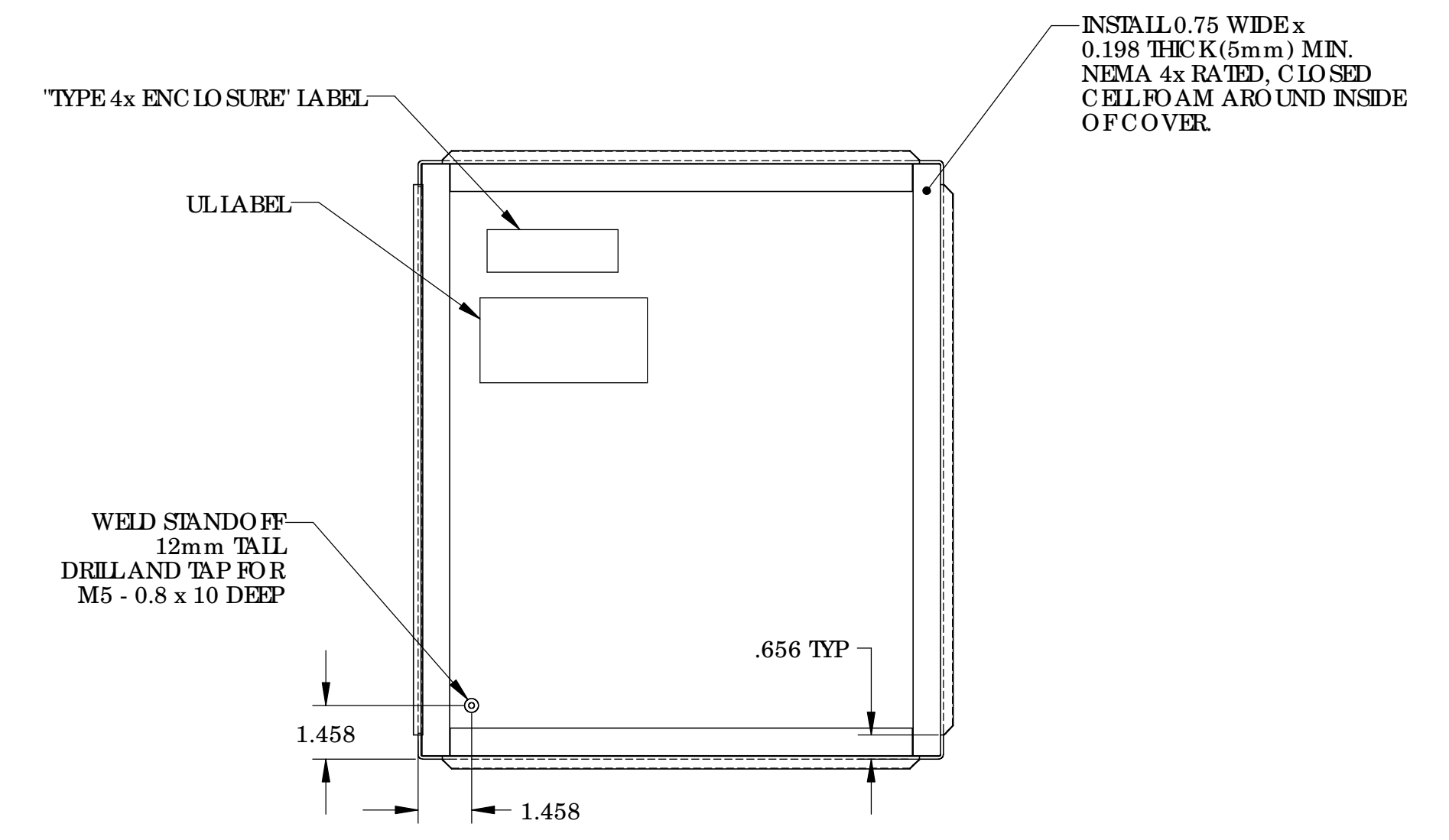
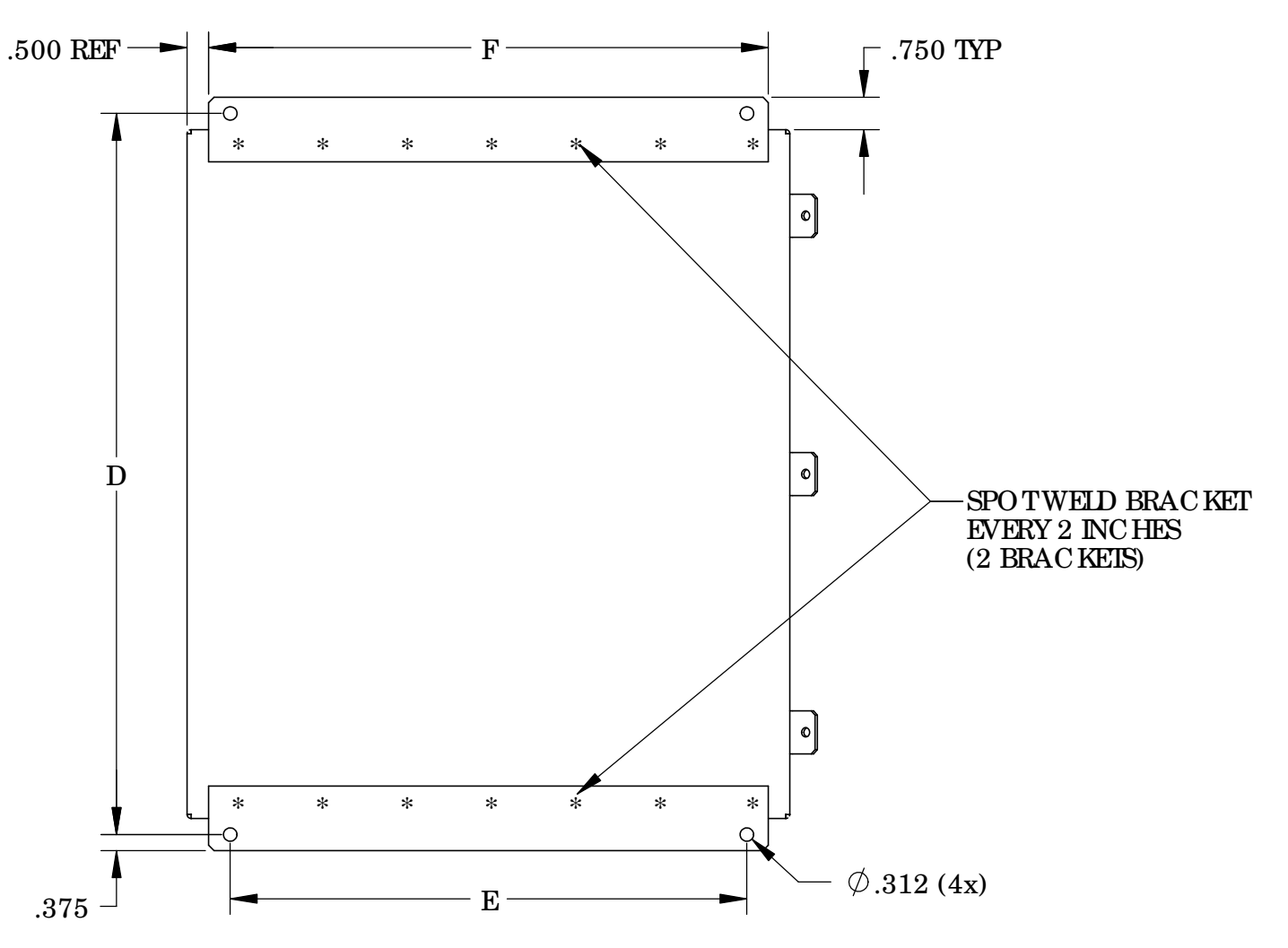
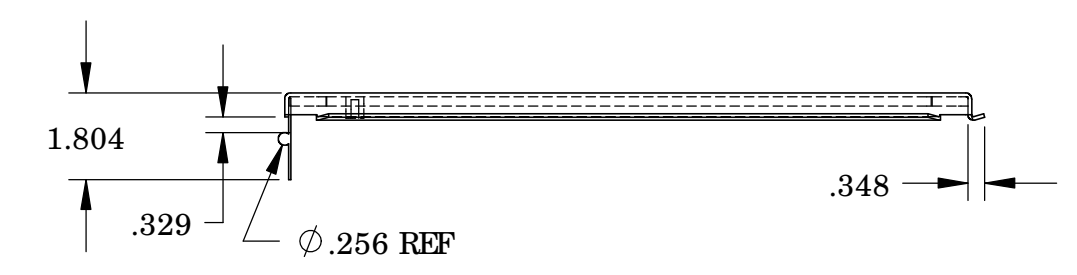
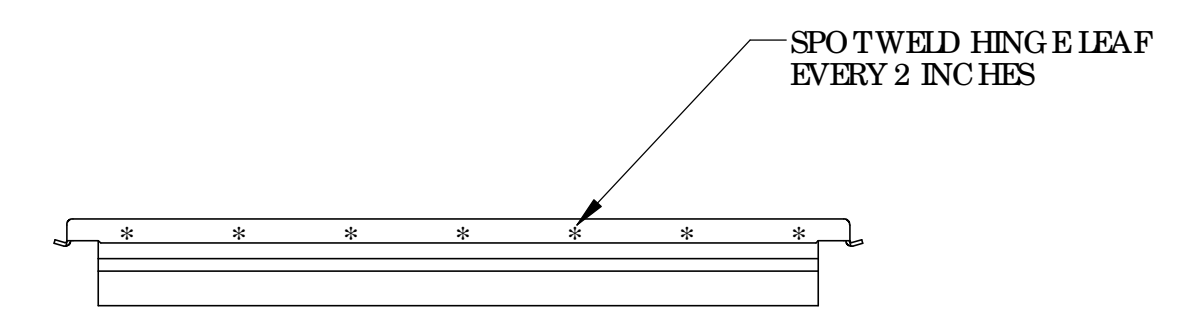
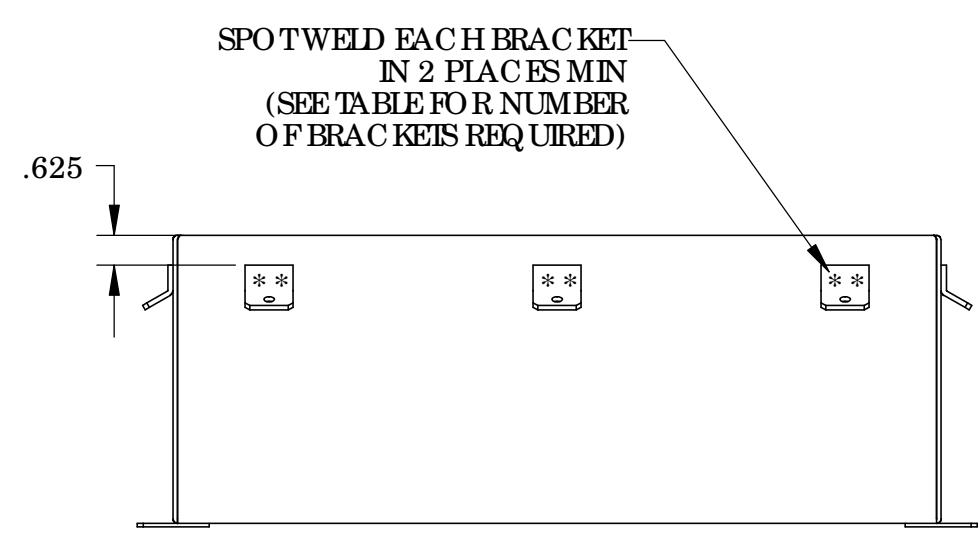
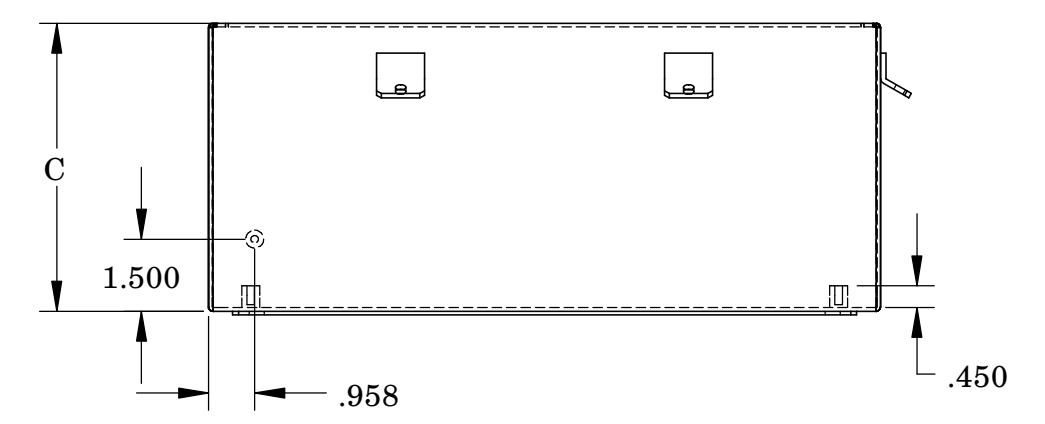
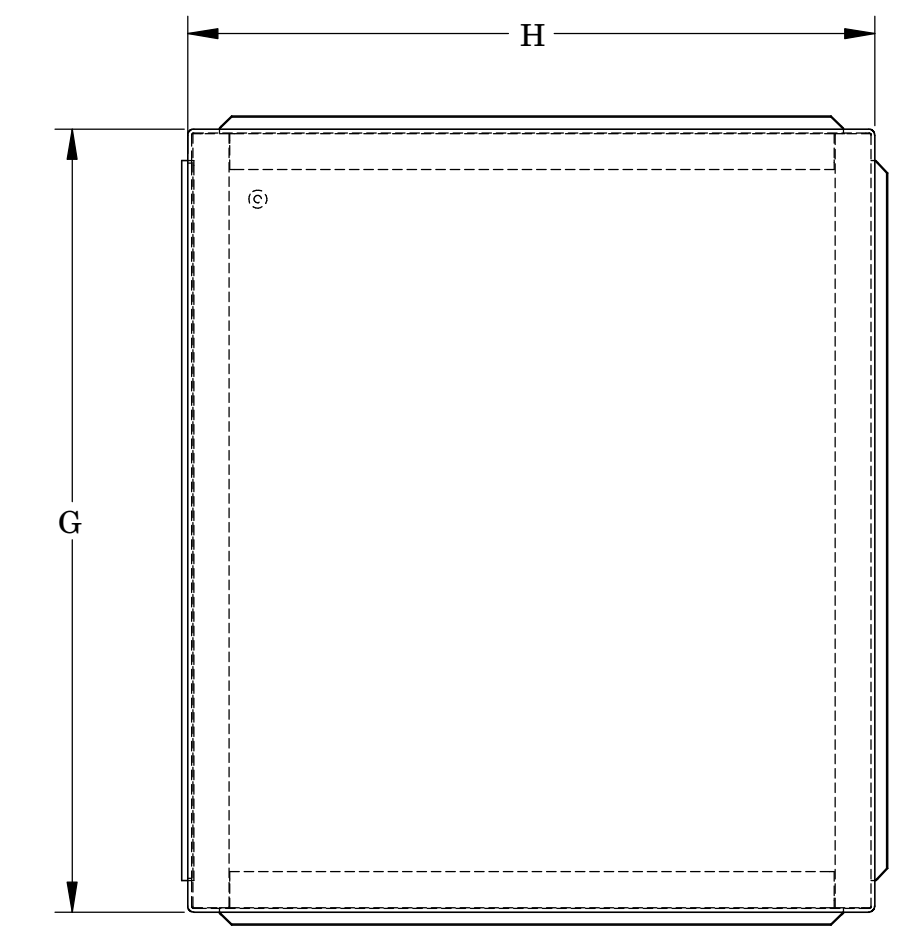
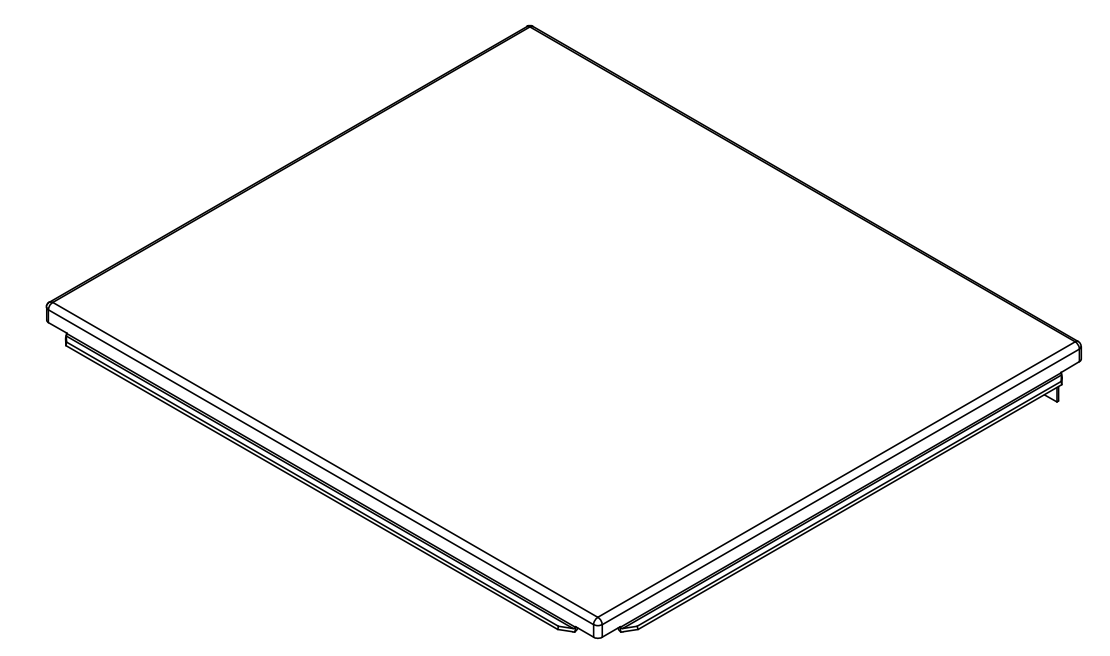
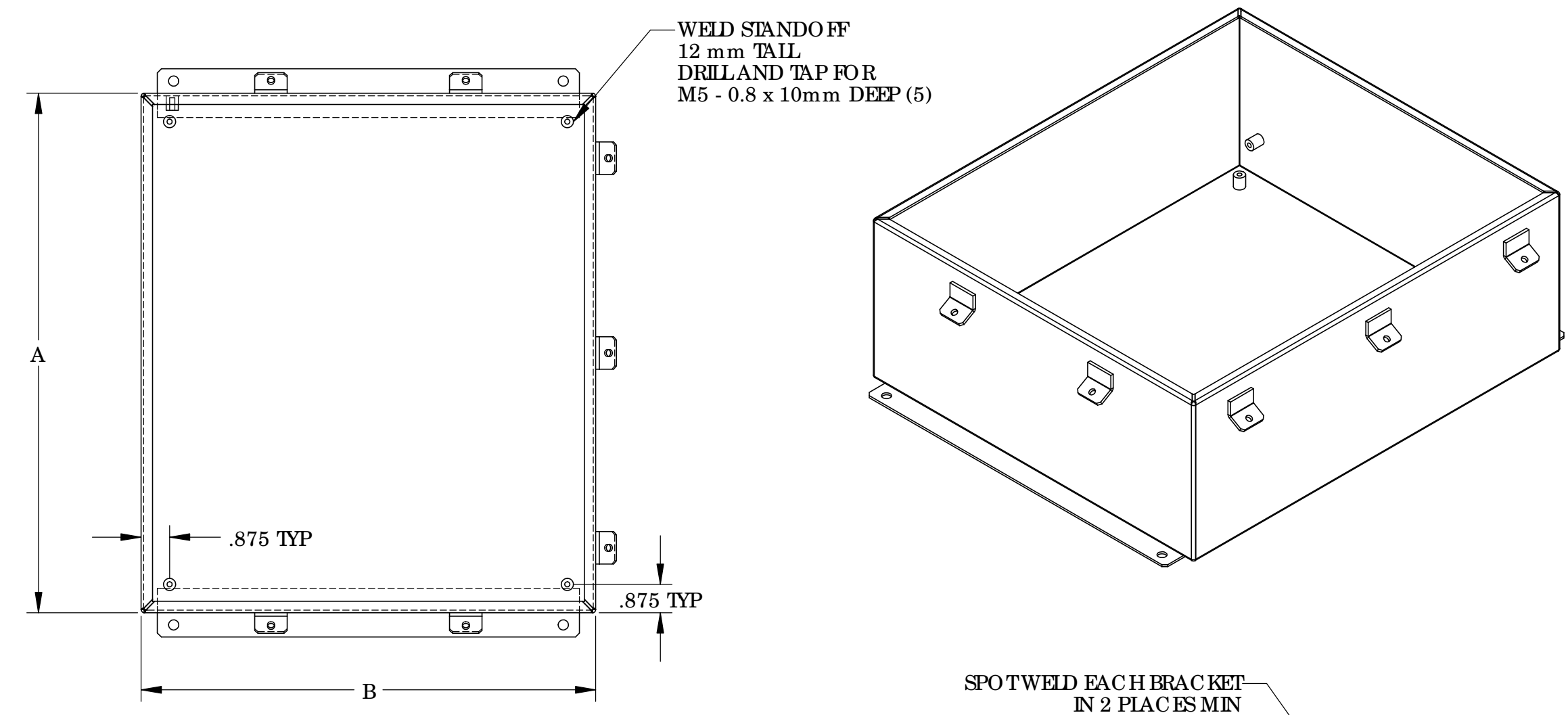
PART NUMBER	A	B	C	D	E	F	G	H	J	K	L	M	No. OF BRACKETS, SCREWS & LATCHES
SN-3700	6.00	4.00	3.00	6.75	2.00	3.00	6.31	4.31	7.50	2.52	3.25	5.00	3
SN-3701	8.00	6.00	3.50	8.75	4.00	5.00	8.31	6.31	9.50	3.02	3.75	7.00	3
SN-3702	6.00	6.00	4.00	6.75	4.00	5.00	6.31	6.31	7.50	3.52	4.25	5.00	3
SN-3703	12.00	10.00	5.00	12.75	8.00	9.00	12.31	10.31	13.50	4.52	5.25	11.00	6
SN-3704	10.00	8.00	6.00	10.75	6.00	7.00	10.31	8.31	11.50	5.52	6.25	9.00	4
SN-3705	12.00	12.00	6.00	12.75	10.00	11.00	12.31	12.31	13.50	5.52	6.25	11.00	6
SN-3706	14.00	12.00	6.00	14.75	10.00	11.00	14.31	12.31	15.50	5.52	6.25	13.00	6
SN-3707	16.00	14.00	6.00	16.75	12.00	13.00	16.31	14.31	17.50	5.52	6.25	15.00	7
SN-3708	14.00	12.00	8.00	14.75	10.00	11.00	14.31	12.31	15.50	7.52	8.25	13.00	6
SN-3709	16.00	14.00	10.00	16.75	12.00	13.00	16.31	14.31	17.50	9.52	10.25	15.00	7

PARTS LIST		BUD INDUSTRIES INC.	
APPROVALS	DATE	NEMA SHEET METAL BOX	
DESIGNER	DATE	SN-3700	
DATE	DATE	SN-3700	
SCALE	CAD FILE	SN-3700	

QTY.	USED ON	DO NOT SCALE DRAWING	SCALE	CAD FILE	SHEET 1 OF 2

THE INFORMATION CONTAINED IN THIS DRAWING IS THE SOLE PROPERTY OF BUD INDUSTRIES INC. ANY REPRODUCTION IN PART OR WHOLE WITHOUT THE WRITTEN PERMISSION OF BUD INDUSTRIES INC. IS PROHIBITED.

DWG. NO. SN-3700	
ISSUE	REVISIONS
	SEE SHEET 1



BODY ASSEMBLY						
PART NUMBER	A	B	C	D	E	F
3700-BA	6.00	4.00	3.00	6.75	2.00	3.00
3701-BA	8.00	6.00	3.50	8.75	4.00	5.00
3702-BA	6.00	6.00	4.00	6.75	4.00	5.00
3703-BA	12.00	10.00	5.00	12.75	8.00	9.00
3704-BA	10.00	8.00	6.00	10.75	6.00	7.00
3705-BA	12.00	12.00	6.00	12.75	10.00	11.00
3706-BA	14.00	12.00	6.00	14.75	10.00	11.00
3707-BA	16.00	14.00	6.00	16.75	12.00	13.00
3708-BA	14.00	12.00	8.00	14.75	10.00	11.00
3709-BA	16.00	14.00	10.00	16.75	12.00	13.00

COVER ASSEMBLY		
PART NUMBER	G	H
3700-CA	6.31	4.31
3701-CA	8.31	6.31
3702-CA	6.31	6.31
3703-CA	12.31	10.31
3704-CA	10.31	8.31
3705-CA	12.31	12.31
3706-CA	14.31	12.31
3707-CA	16.31	14.31
3708-CA	14.31	12.31
3709-CA	16.31	14.31

ALL PARTS TO BE PAINTED SMOOTH GRAY

PARTS LIST		BUD INDUSTRIES INC.	
APPROVALS	DATE	NEMA STEEL METAL BOX	
DP	1-3-06		
MATERIAL	AS NOTED	SN-3700	
FINISH	AS NOTED		
QTY.	USED ON	SCALE	SHEET 2 OF 2