



Chipsmall Limited consists of a professional team with an average of over 10 year of expertise in the distribution of electronic components. Based in Hongkong, we have already established firm and mutual-benefit business relationships with customers from,Europe,America and south Asia,supplying obsolete and hard-to-find components to meet their specific needs.

With the principle of “Quality Parts,Customers Priority,Honest Operation,and Considerate Service”,our business mainly focus on the distribution of electronic components. Line cards we deal with include Microchip,ALPS,ROHM,Xilinx,Pulse,ON,Everlight and Freescale. Main products comprise IC,Modules,Potentiometer,IC Socket,Relay,Connector.Our parts cover such applications as commercial,industrial, and automotives areas.

We are looking forward to setting up business relationship with you and hope to provide you with the best service and solution. Let us make a better world for our industry!



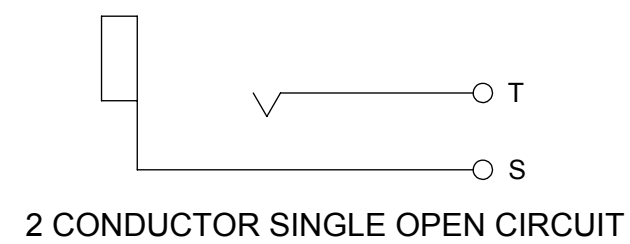
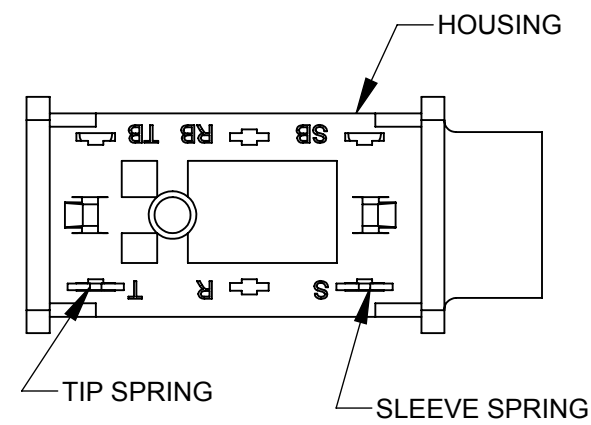
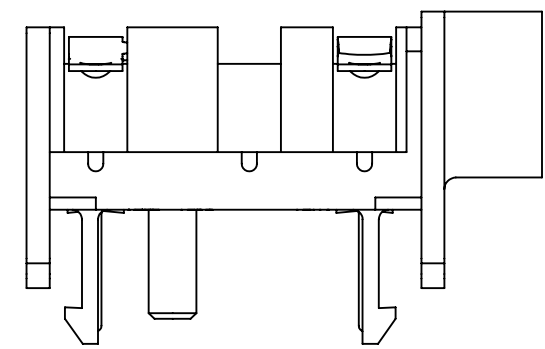
## Contact us

Tel: +86-755-8981 8866 Fax: +86-755-8427 6832

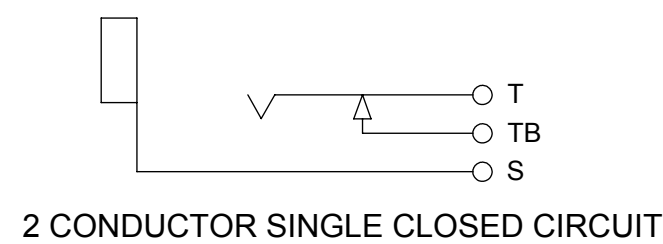
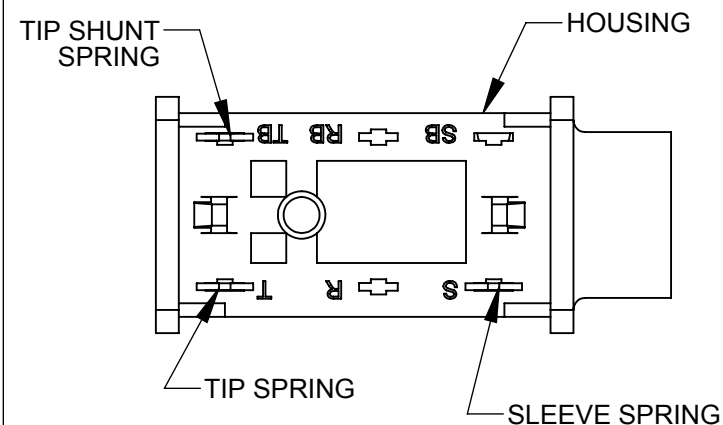
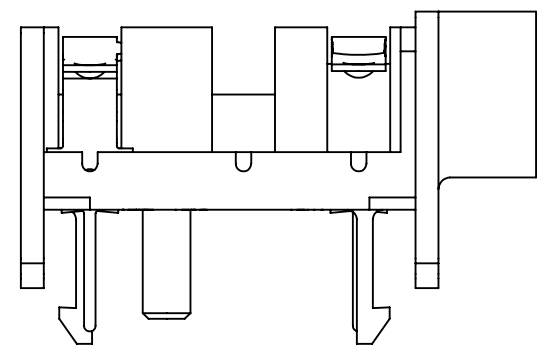
Email & Skype: info@chipsmall.com Web: www.chipsmall.com

Address: A1208, Overseas Decoration Building, #122 Zhenhua RD., Futian, Shenzhen, China

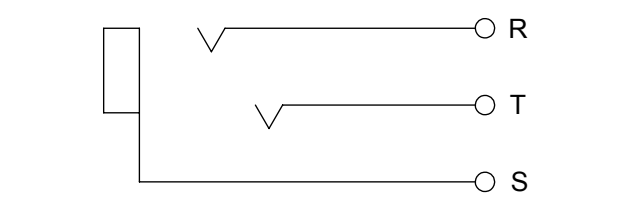
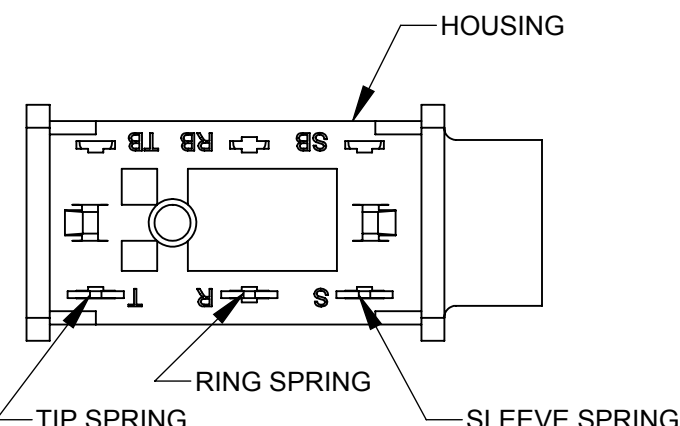
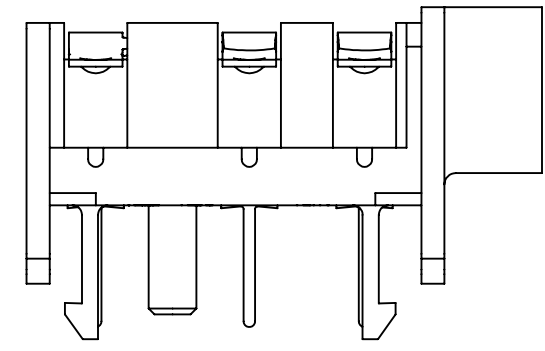




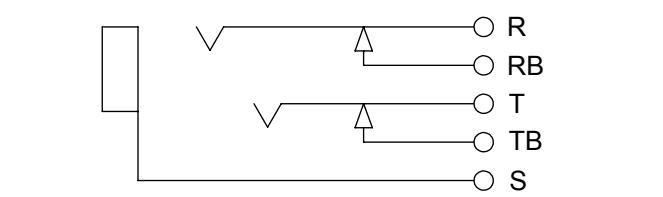
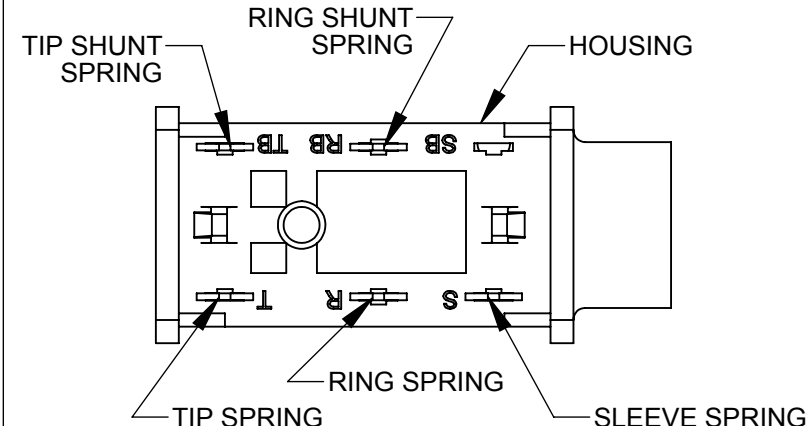
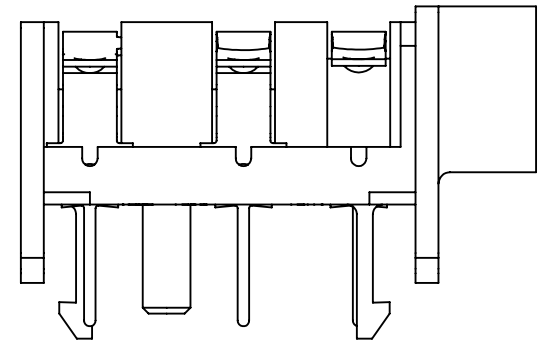
**SN49A11**



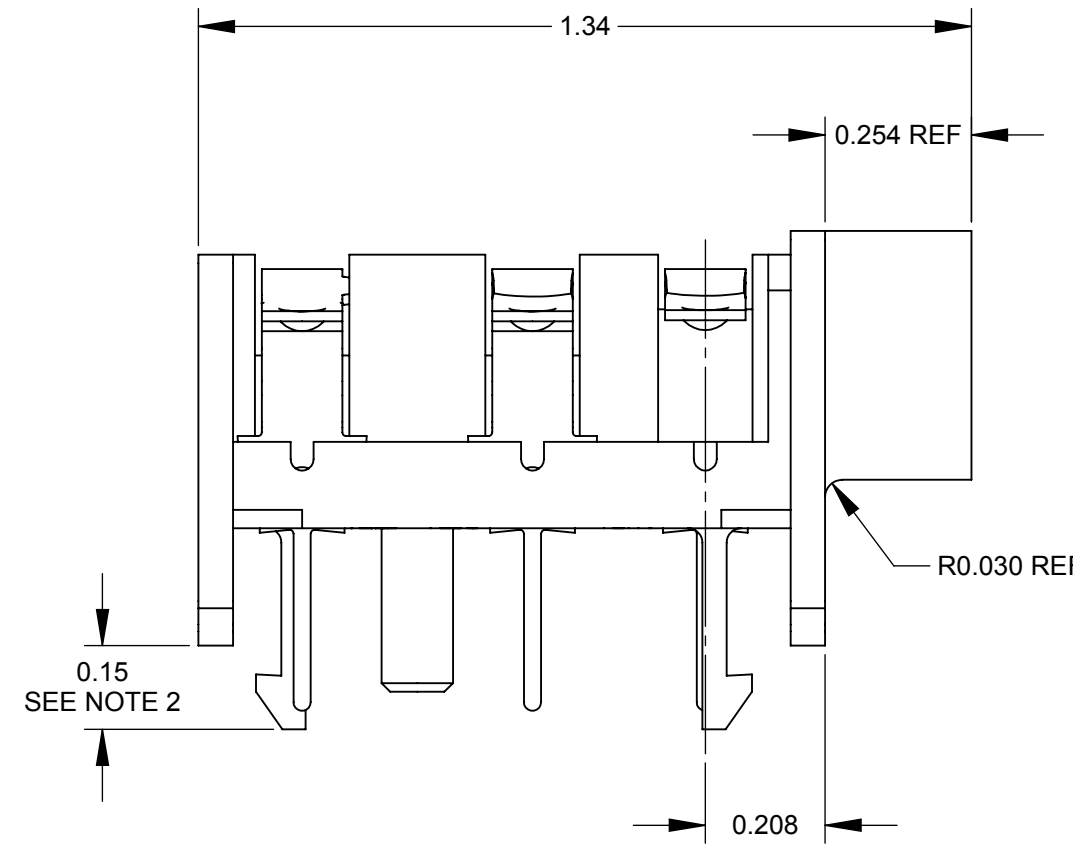
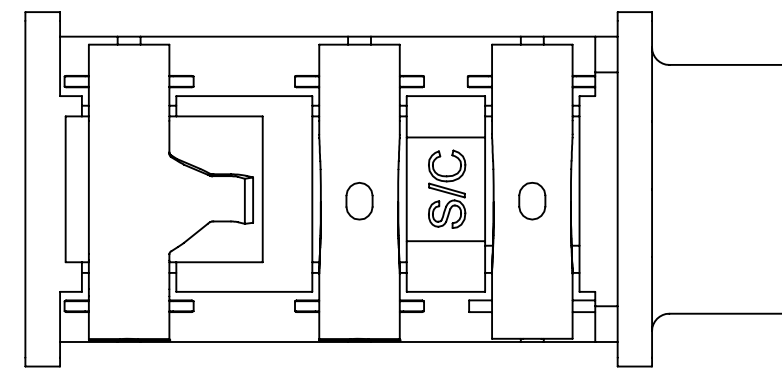
**SN49A12A**



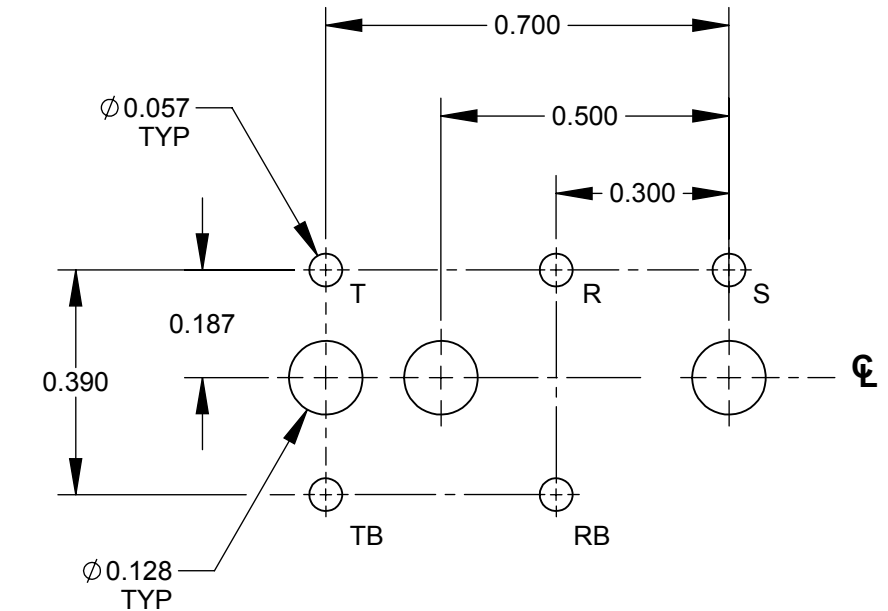
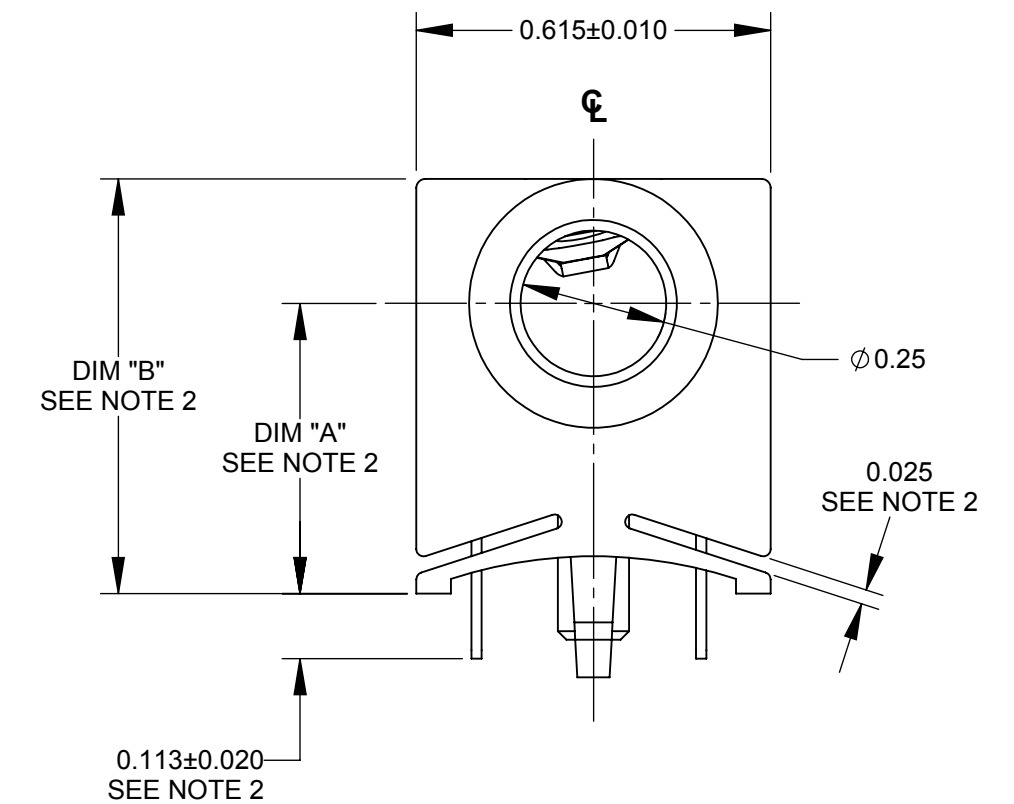
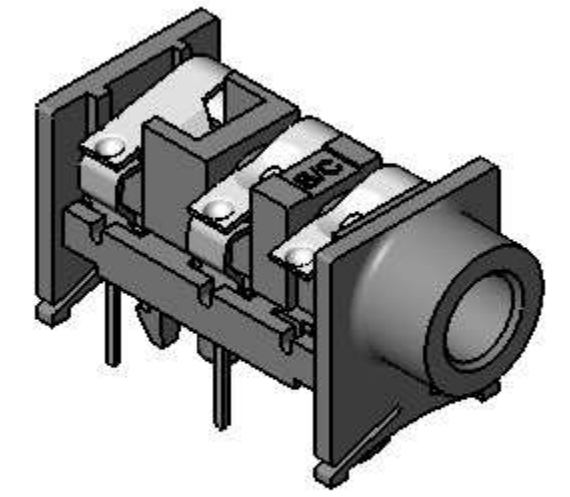
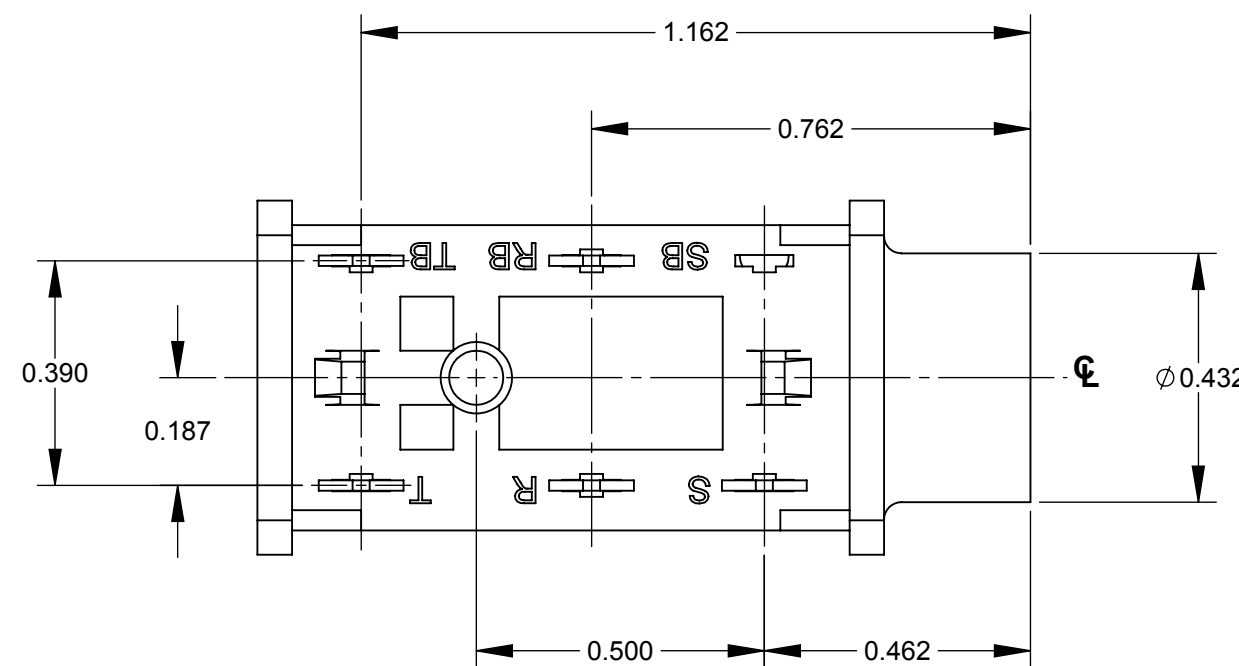
**SN49A12B**



**SN49A14B**



**SN49A14B SHOWN**



**RECOMMENDED PC BOARD LAYOUT COMPONENT SIDE**

- NOTES:
- MAY BE USED WITH PC BOARD THICKNESSES RANGING FROM 0.054 - 0.070.
  - THESE DIMENSIONS VARY DEPENDING ON PCB THICKNESS. DIMENSIONS SHOWN ARE FREE STATE AS SHIPPED.
  - MATERIAL SPECIFICATIONS:  
HOUSING - THERMOPLASTIC, BLACK.  
SPRINGS - SPECIAL COPPER ALLOY, TINNED.
  - THESE PRODUCTS ARE RoHS COMPLIANT.

PART NUMBER	DIM "A"		DIM "B"	
	FREE STATE	WITH 0.062 THICK PCB	FREE STATE	WITH 0.062 THICK PCB
SN49A11	0.504	0.492	0.720	0.708
SN49A12A	0.504	0.492	0.720	0.708
SN49A12B	0.504	0.492	0.720	0.708
SN49A14B	0.504	0.492	0.720	0.708

REV	ECO NUMBER	DATE	BY	APVD
C	CAD REDRAW ECO #27409	11/17/14	PC	TJK
REVISIONS				

UNLESS OTHERWISE SPECIFIED  
 1. ALL DIMENSIONS IN INCHES  
 - TWO PLACE DECIMALS ±0.02  
 - THREE PLACE DECIMALS ±0.005

DO NOT SCALE DRAWING

THIS DRAWING DESCRIBES A DESIGN CONSIDERED PROPRIETARY IN NATURE, DEVELOPED AND MANUFACTURED BY SWITCHCRAFT INC. AND IS RELEASED ON A CONFIDENTIAL BASIS FOR IDENTIFICATION PURPOSES ONLY.				
SIZE	WIDTH	MULT	LBS/M	TEMPER
FINISH SPEC No.			MATERIAL SPEC No.	
FIRST USED ON		SCALE 3:1		
DATE DRAWN	BY	CHKD	APVD	
08/17/84	VL	08/17/84	08/17/84	
NAME			PART No.	
PHONE JACK INSULATED BUSHING			SN49A SERIES	
SHEET 1 OF 1				REV C