



Chipsmall Limited consists of a professional team with an average of over 10 year of expertise in the distribution of electronic components. Based in Hongkong, we have already established firm and mutual-benefit business relationships with customers from,Europe,America and south Asia,supplying obsolete and hard-to-find components to meet their specific needs.

With the principle of "Quality Parts,Customers Priority,Honest Operation,and Considerate Service",our business mainly focus on the distribution of electronic components. Line cards we deal with include Microchip,ALPS,ROHM,Xilinx,Pulse,ON,Everlight and Freescale. Main products comprise IC,Modules,Potentiometer,IC Socket,Relay,Connector.Our parts cover such applications as commercial,industrial, and automotives areas.

We are looking forward to setting up business relationship with you and hope to provide you with the best service and solution. Let us make a better world for our industry!



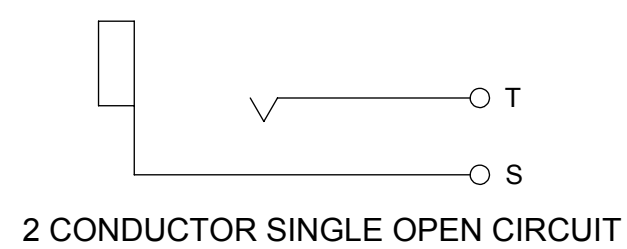
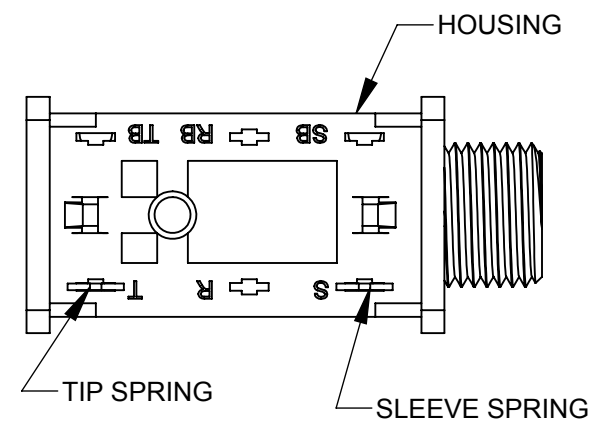
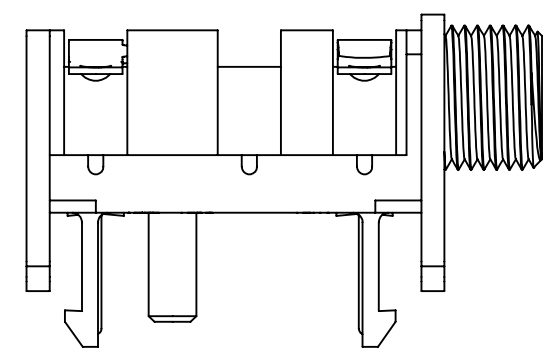
## Contact us

Tel: +86-755-8981 8866 Fax: +86-755-8427 6832

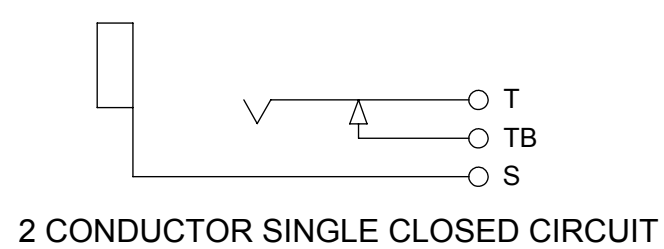
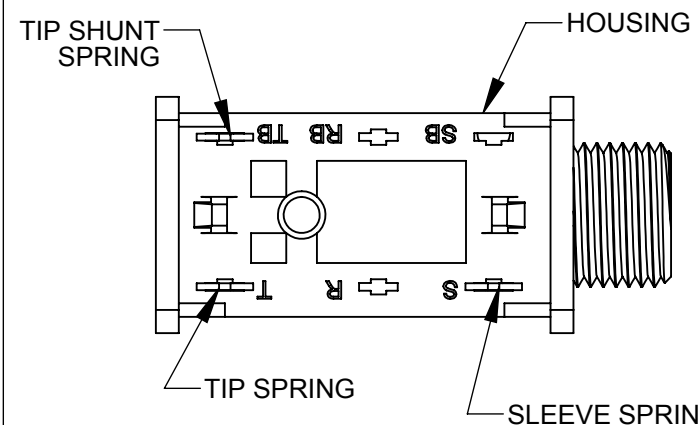
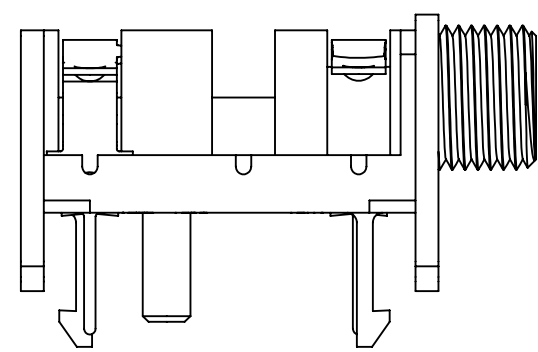
Email & Skype: info@chipsmall.com Web: www.chipsmall.com

Address: A1208, Overseas Decoration Building, #122 Zhenhua RD., Futian, Shenzhen, China

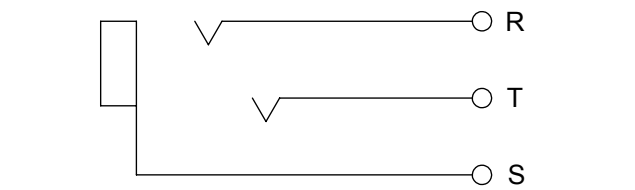
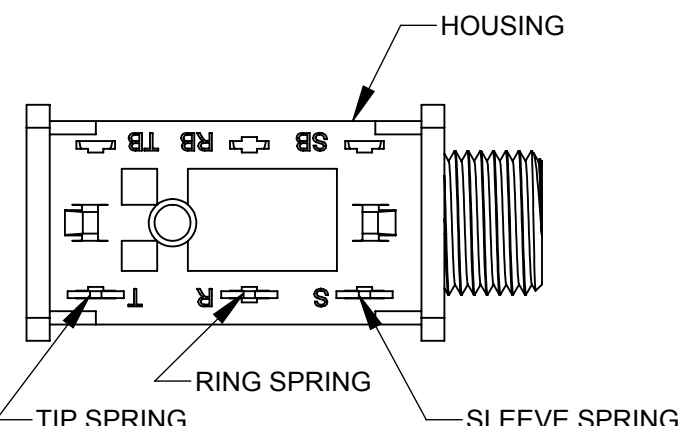
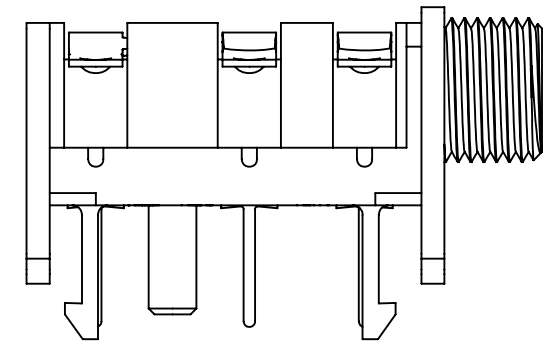




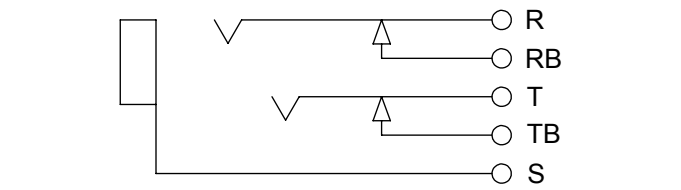
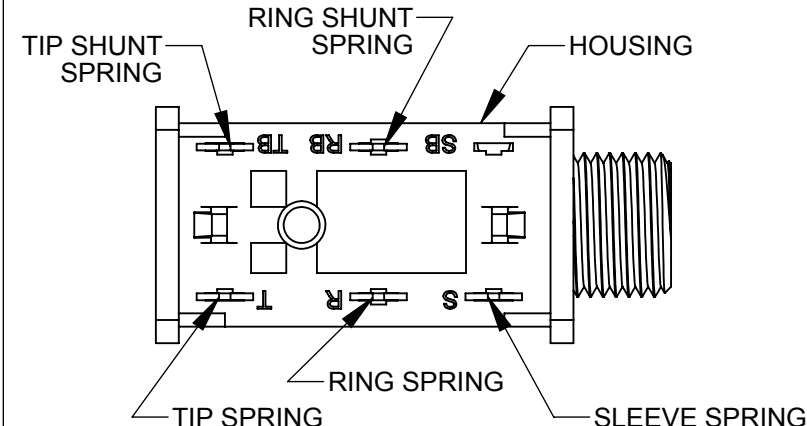
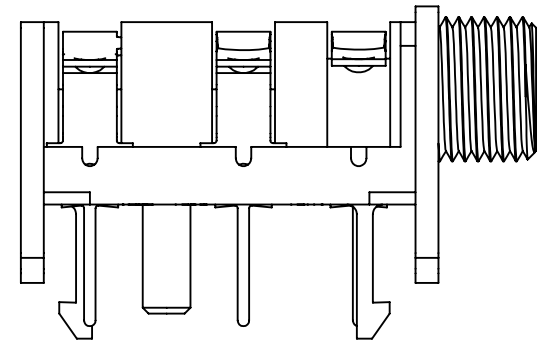
**SN49B11**



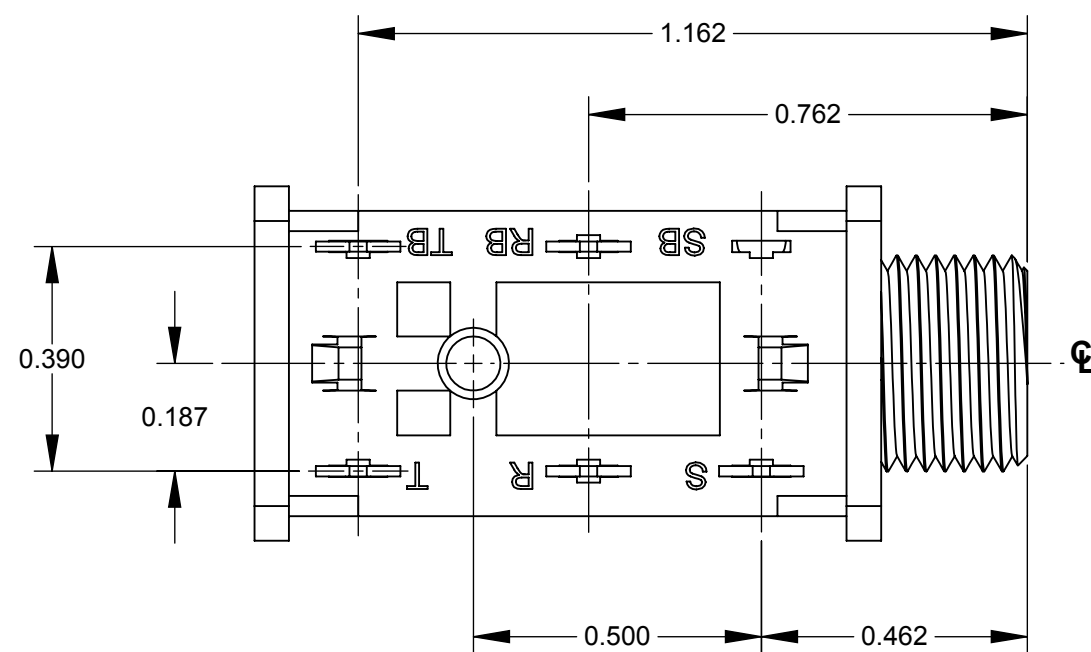
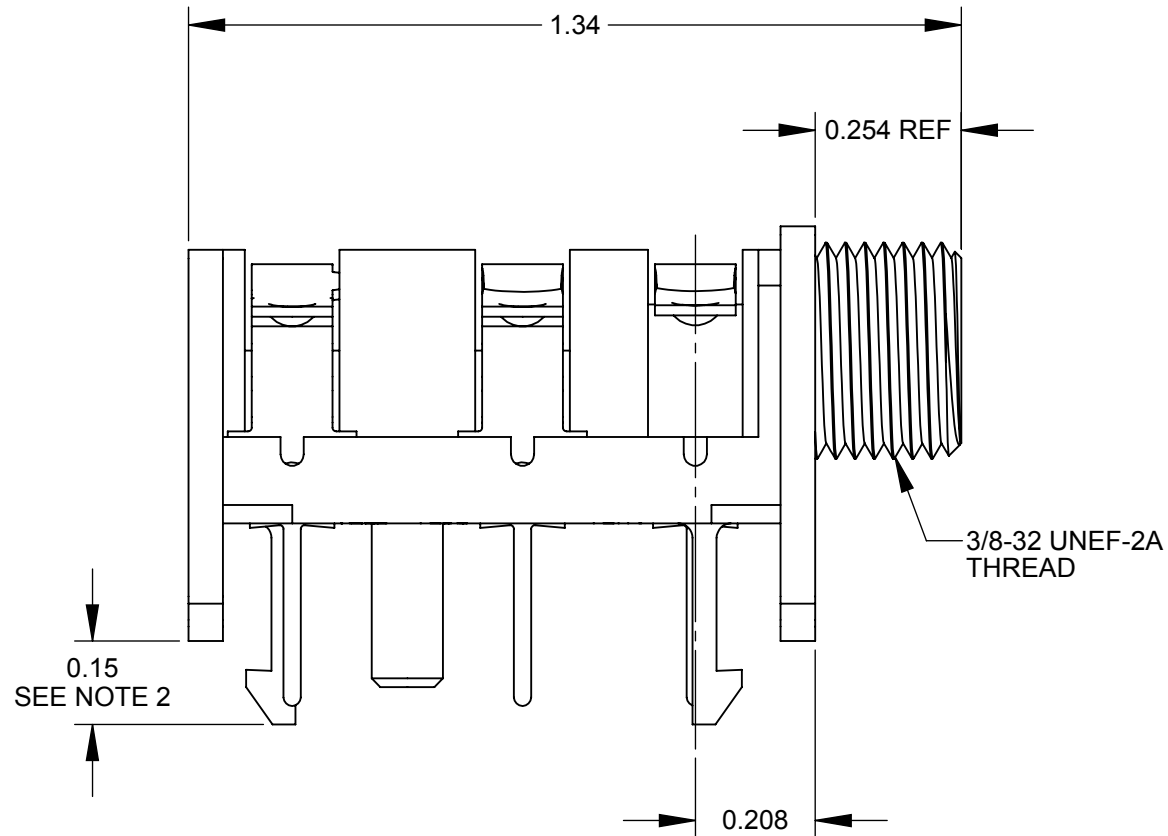
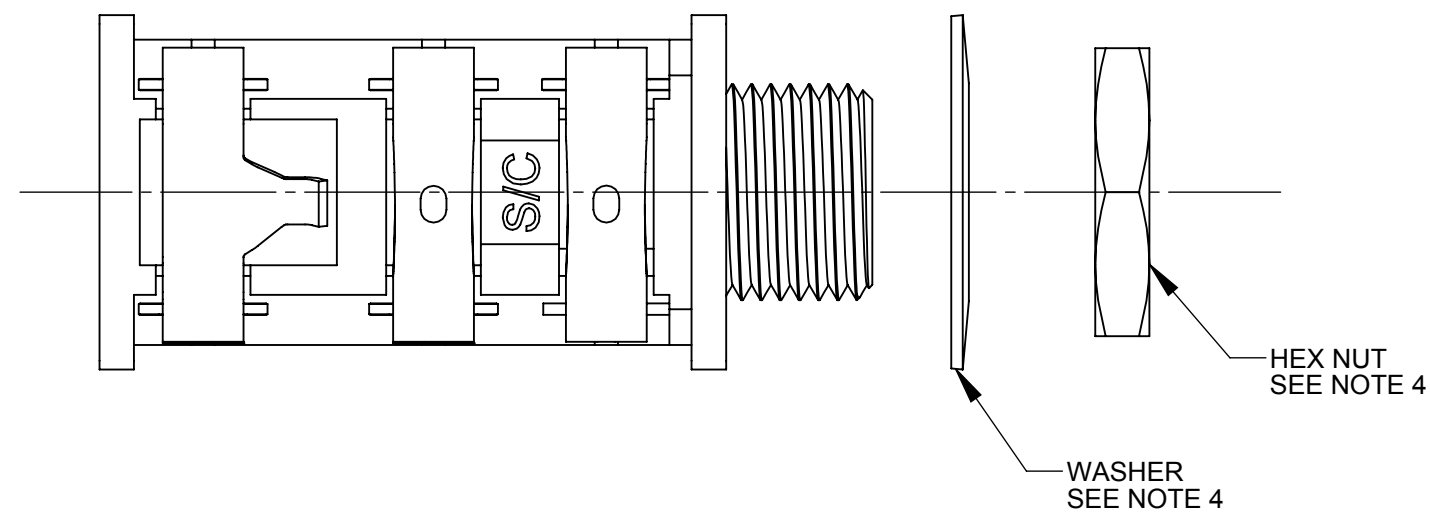
**SN49B12A**



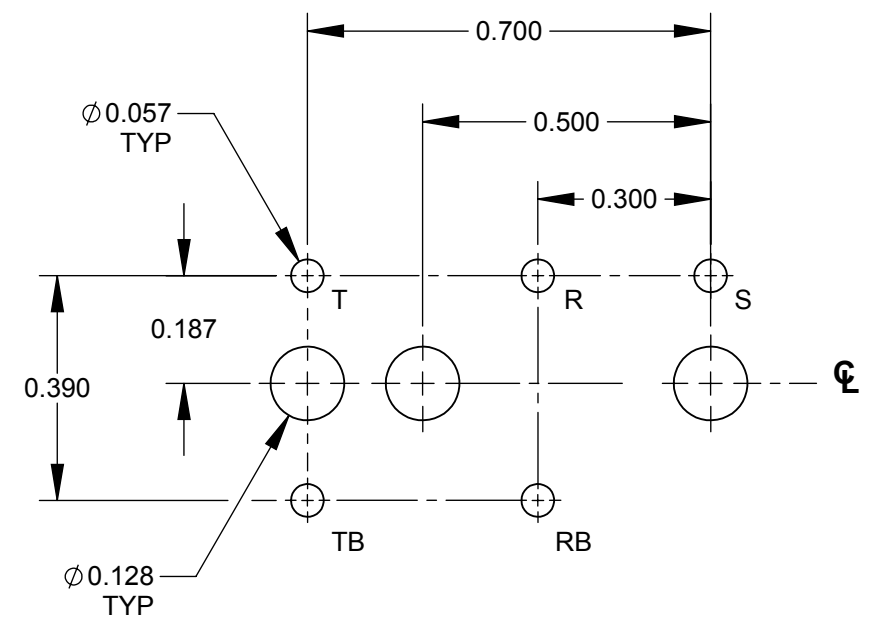
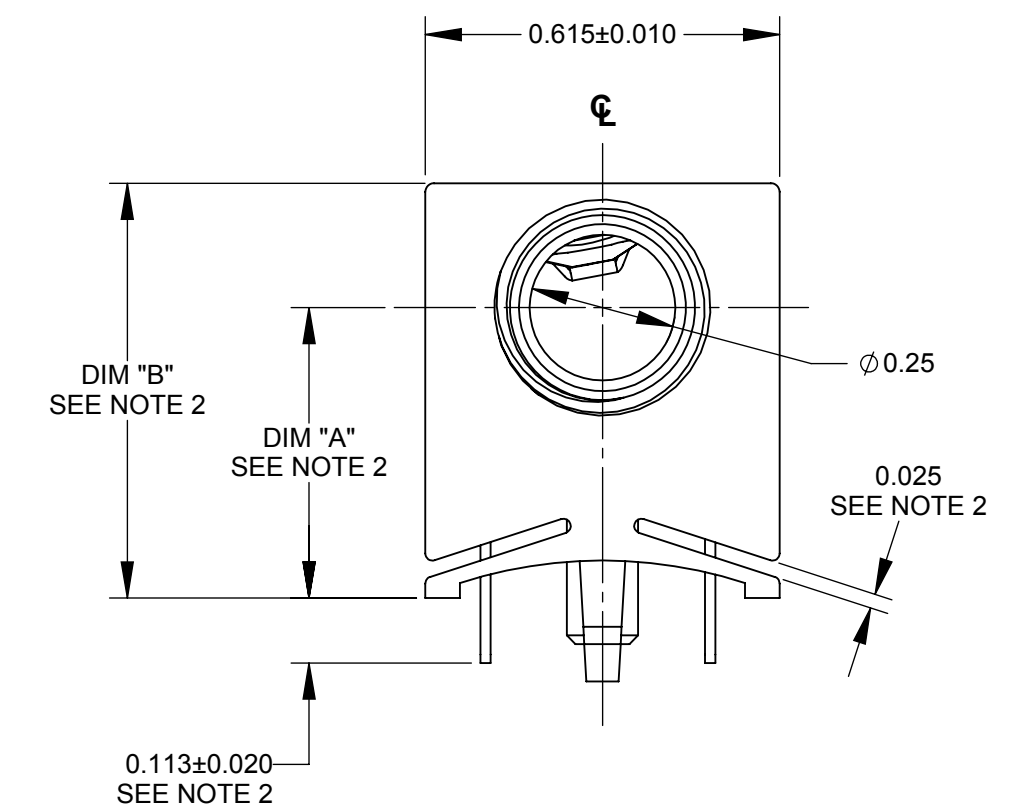
**SN49B12B**



**SN49B14B**



**SN49B14B SHOWN**



**RECOMMENDED PC BOARD LAYOUT COMPONENT SIDE**

**CUSTOMER DRAWING**

- NOTES:
- MAY BE USED WITH PC BOARD THICKNESSES RANGING FROM 0.054 - 0.070.
  - THESE DIMENSIONS VARY DEPENDING ON PCB THICKNESS. DIMENSIONS SHOWN ARE FREE STATE AS SHIPPED.
  - MATERIAL SPECIFICATIONS:  
HOUSING - THERMOPLASTIC, BLACK.  
SPRINGS - SPECIAL COPPER ALLOY, TINNED.  
HARDWARE - COPPER ALLOY, NICKEL PLATED.
  - HARDWARE SHIPPED UNASSEMBLED.
  - THESE PRODUCTS ARE RoHS COMPLIANT.

| PART NUMBER | DIM "A"    |                      | DIM "B"    |                      |
|-------------|------------|----------------------|------------|----------------------|
|             | FREE STATE | WITH 0.062 THICK PCB | FREE STATE | WITH 0.062 THICK PCB |
| SN49B11     | 0.504      | 0.492                | 0.720      | 0.708                |
| SN49B12A    | 0.504      | 0.492                | 0.720      | 0.708                |
| SN49B12B    | 0.504      | 0.492                | 0.720      | 0.708                |
| SN49B14B    | 0.504      | 0.492                | 0.720      | 0.708                |

| REV | ECO NUMBER            | DATE     | BY | APVD |
|-----|-----------------------|----------|----|------|
| D   | CAD REDRAW ECO #27409 | 11/17/14 | PC | TJK  |

UNLESS OTHERWISE SPECIFIED  
 1. ALL DIMENSIONS IN INCHES  
 - TWO PLACE DECIMALS ±0.02  
 - THREE PLACE DECIMALS ±0.005

DO NOT SCALE DRAWING

|  |       |                   |                       |        |
|--|-------|-------------------|-----------------------|--------|
| THIS DRAWING DESCRIBES A DESIGN CONSIDERED PROPRIETARY IN NATURE, DEVELOPED AND MANUFACTURED BY SWITCHCRAFT INC. AND IS RELEASED ON A CONFIDENTIAL BASIS FOR IDENTIFICATION PURPOSES ONLY. |       |                   |                       |        |
| SIZE   | WIDTH | MULT              | LBS/M                 | TEMPER |
| FINISH SPEC No.  |       | MATERIAL SPEC No. |                       |        |
| FIRST USED ON  |       | SCALE 3:1         |                       |        |
| DATE DRAWN   | BY    | CHKD              | APVD                  |        |
| 06/28/83   | VL    | 07/15/83          | 07/18/83              |        |
| NAME PHONE JACK INSULATED BUSHING  |       |                   | PART No. SN49B SERIES | REV D  |