



Chipsmall Limited consists of a professional team with an average of over 10 year of expertise in the distribution of electronic components. Based in Hongkong, we have already established firm and mutual-benefit business relationships with customers from,Europe,America and south Asia,supplying obsolete and hard-to-find components to meet their specific needs.

With the principle of “Quality Parts,Customers Priority,Honest Operation,and Considerate Service”,our business mainly focus on the distribution of electronic components. Line cards we deal with include Microchip,ALPS,ROHM,Xilinx,Pulse,ON,Everlight and Freescale. Main products comprise IC,Modules,Potentiometer,IC Socket,Relay,Connector.Our parts cover such applications as commercial,industrial, and automotives areas.

We are looking forward to setting up business relationship with you and hope to provide you with the best service and solution. Let us make a better world for our industry!



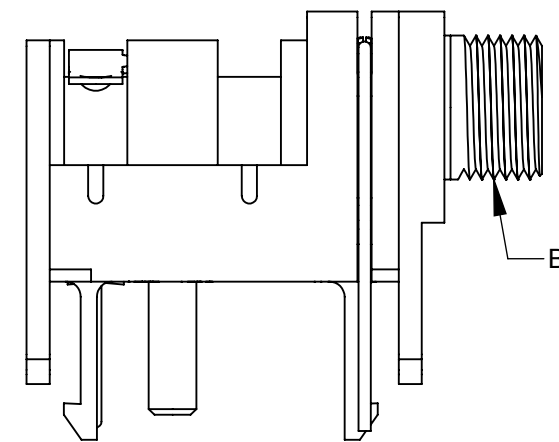
Contact us

Tel: +86-755-8981 8866 Fax: +86-755-8427 6832

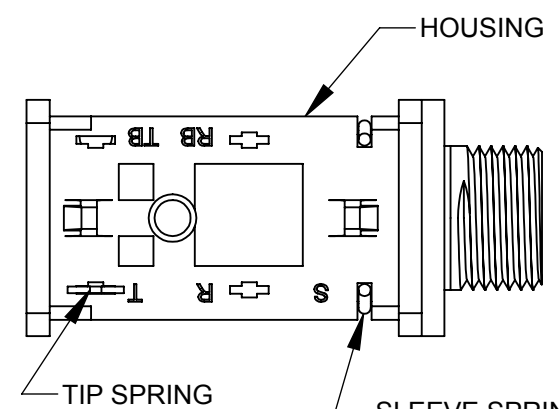
Email & Skype: info@chipsmall.com Web: www.chipsmall.com

Address: A1208, Overseas Decoration Building, #122 Zhenhua RD., Futian, Shenzhen, China



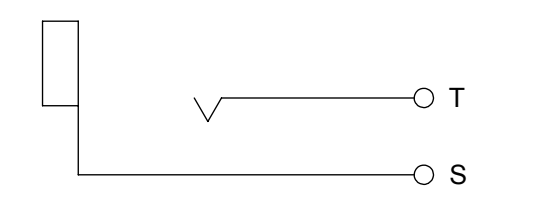


BUSHING



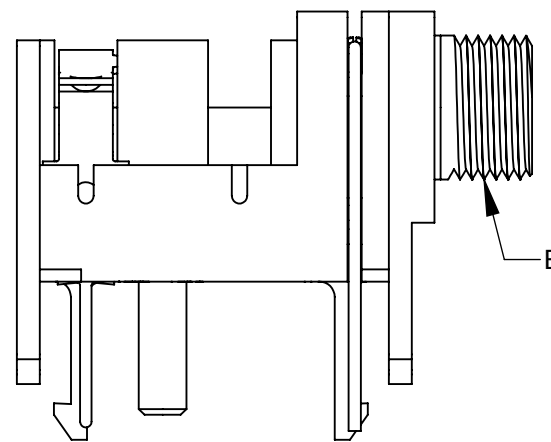
HOUSING

TIP SPRING SLEEVE SPRING

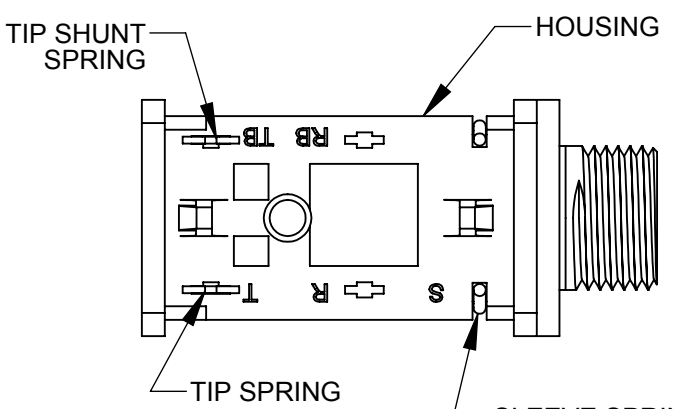


2 CONDUCTOR SINGLE OPEN CIRCUIT

SN70C11

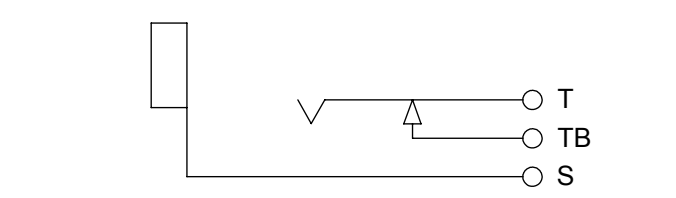


BUSHING



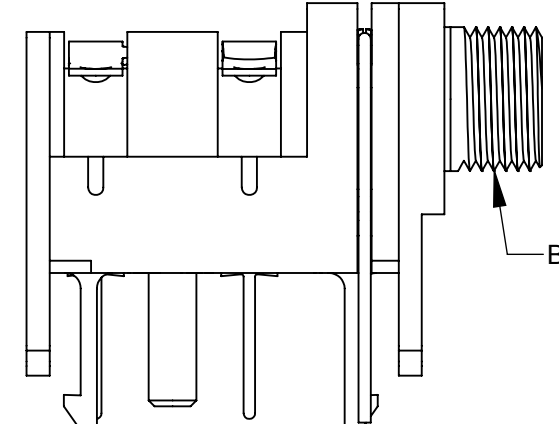
TIP SHUNT SPRING HOUSING

TIP SPRING SLEEVE SPRING

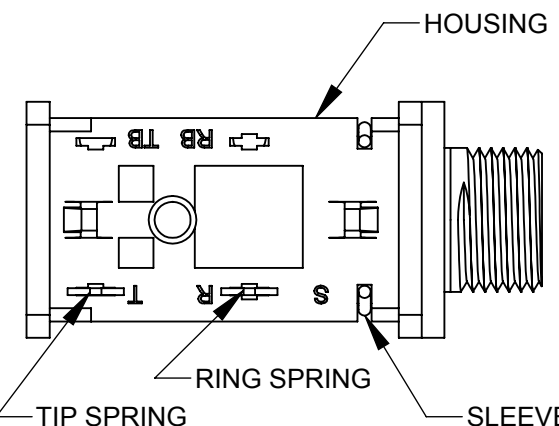


2 CONDUCTOR SINGLE CLOSED CIRCUIT

SN70C12A

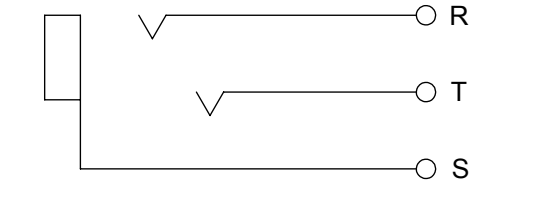


BUSHING



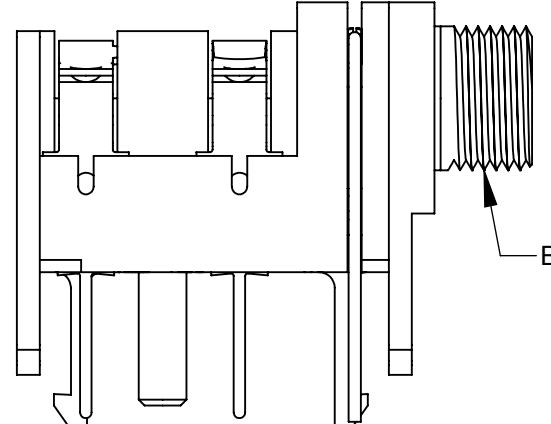
HOUSING

TIP SPRING RING SPRING SLEEVE SPRING

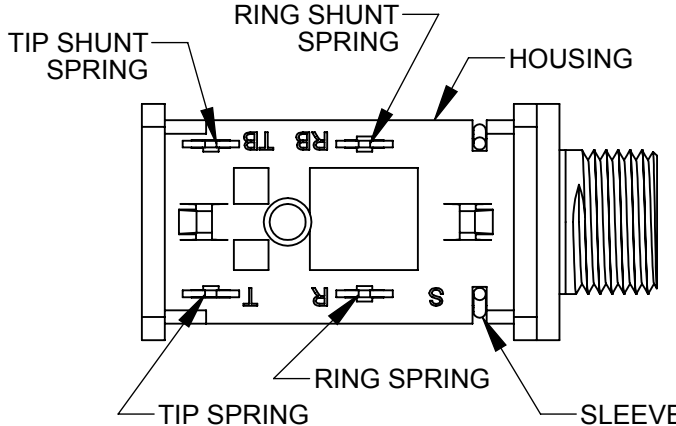


3 CONDUCTOR DOUBLE OPEN CIRCUIT

SN70C12B

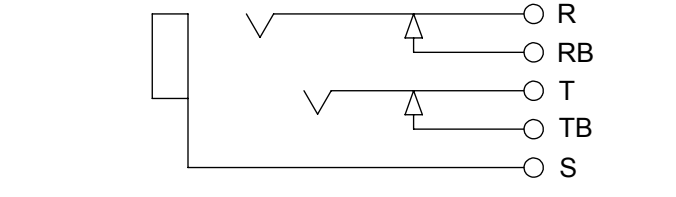


BUSHING



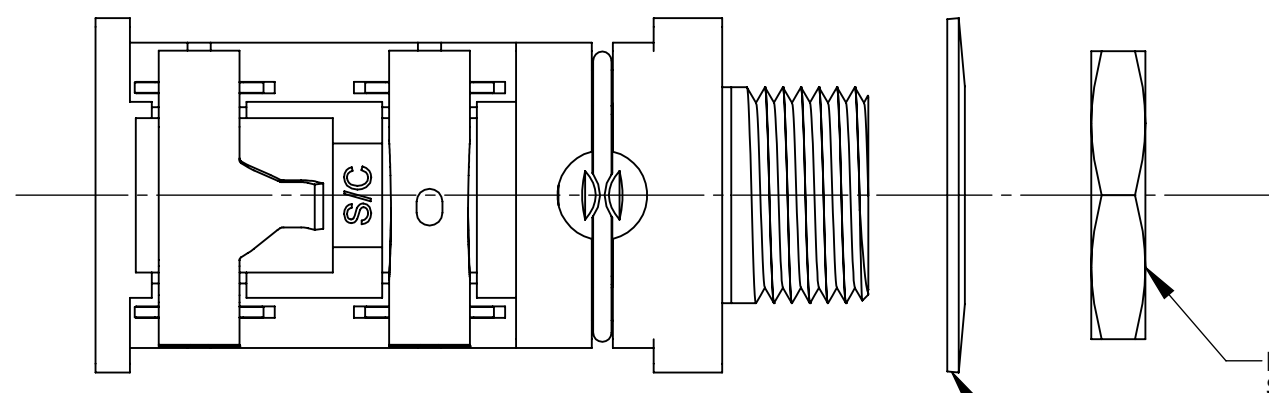
TIP SHUNT SPRING RING SHUNT SPRING HOUSING

TIP SPRING RING SPRING SLEEVE SPRING



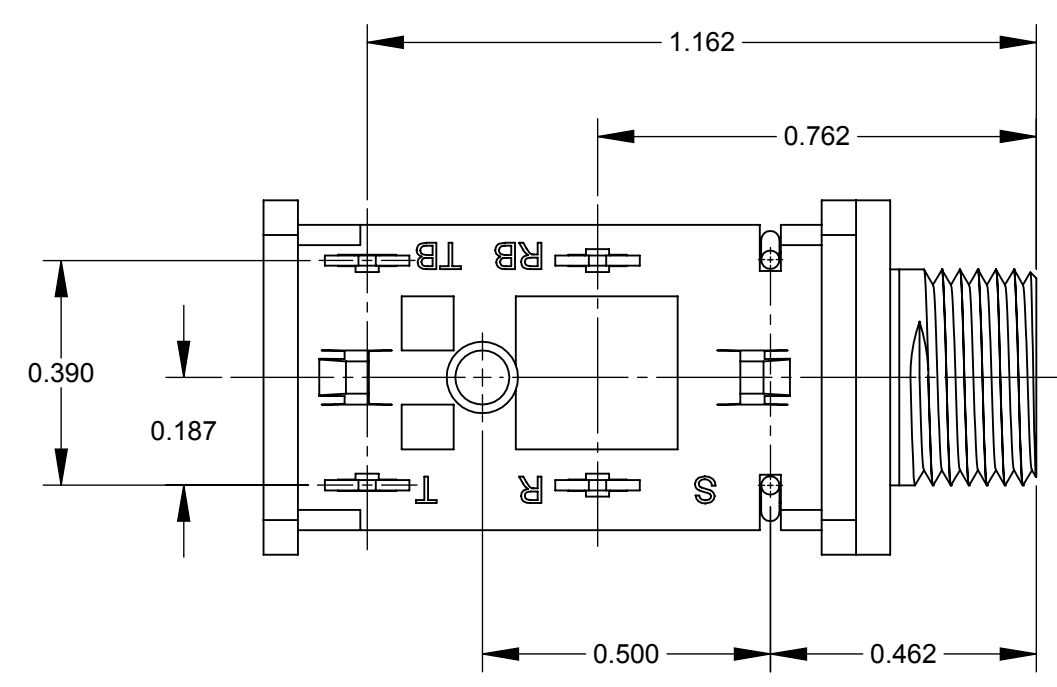
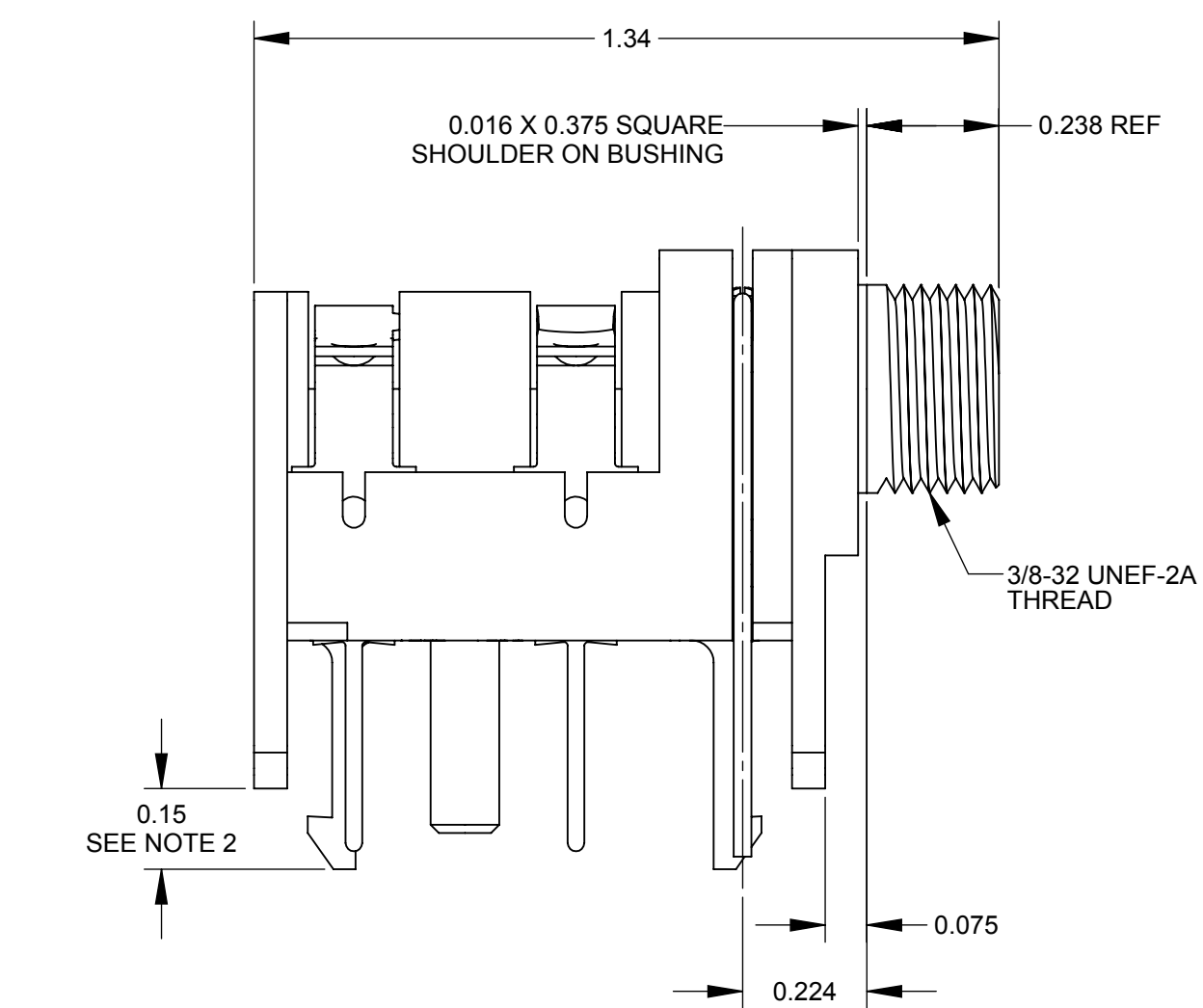
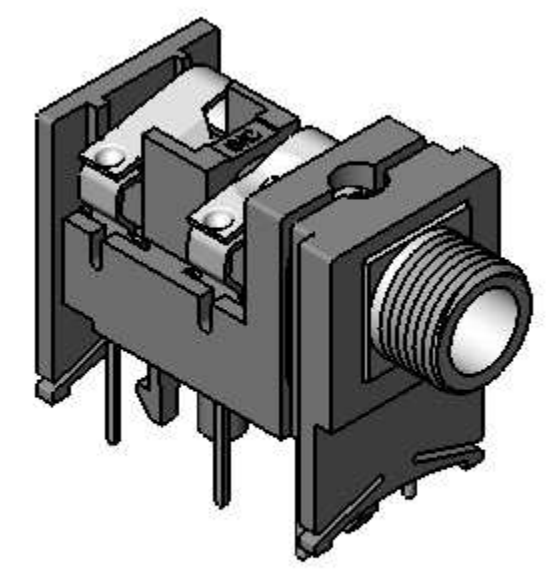
3 CONDUCTOR DOUBLE CLOSED CIRCUIT

SN70C14B

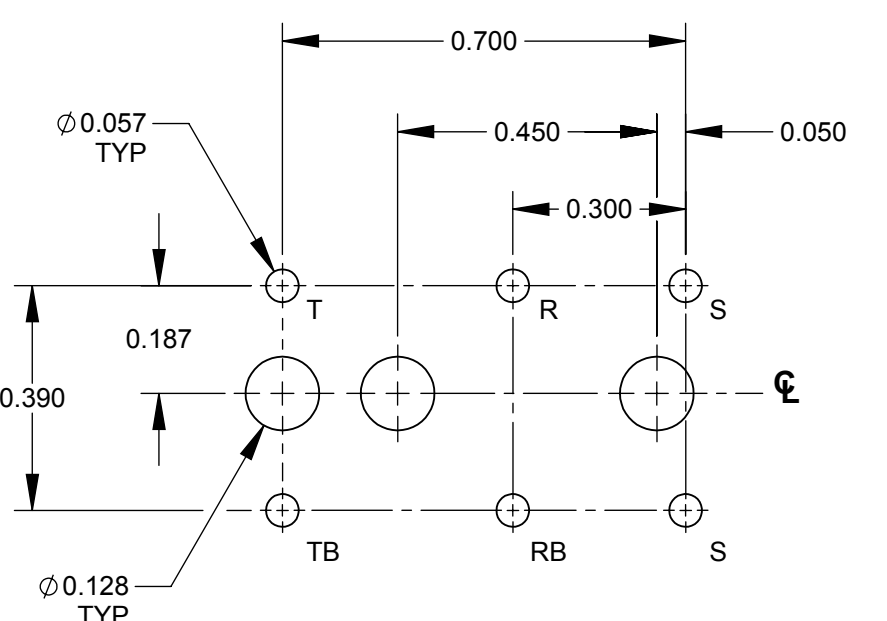
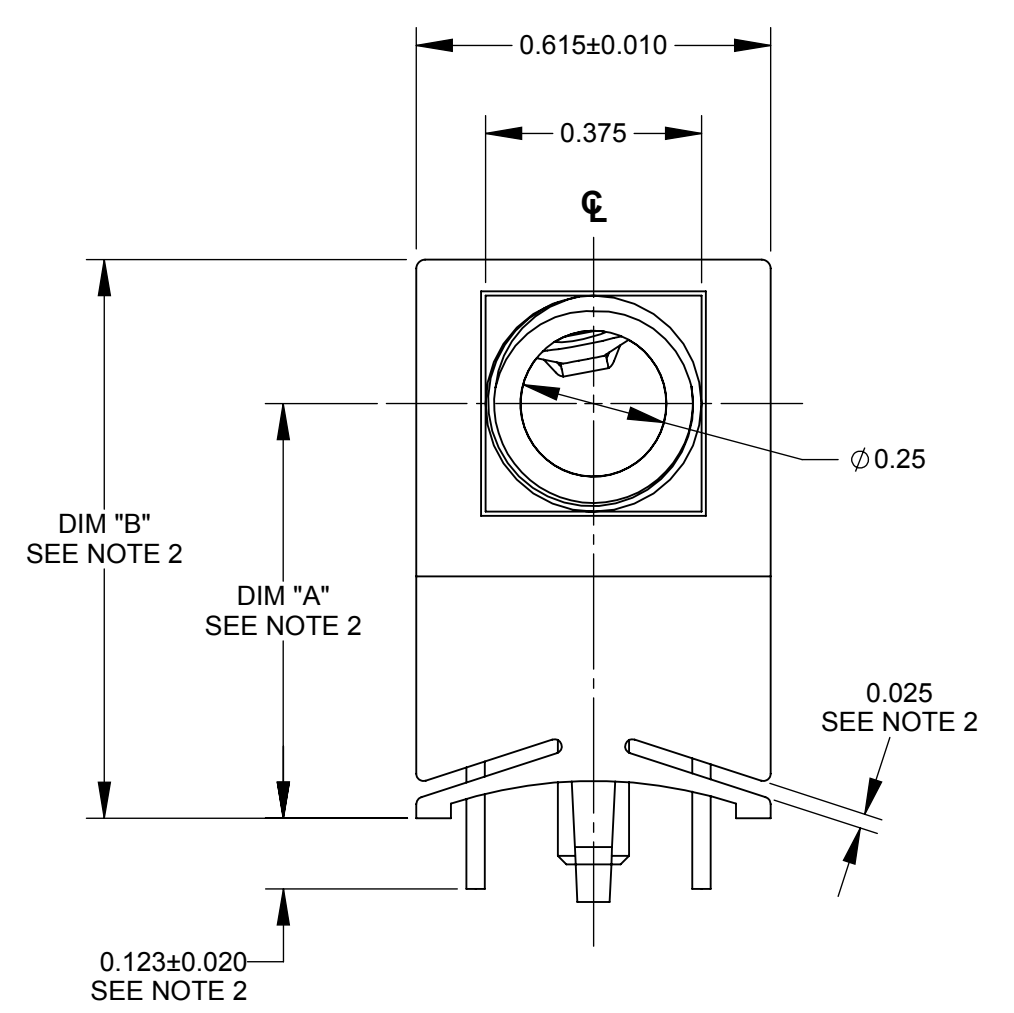


WASHER SEE NOTE 4

HEX NUT SEE NOTE 4



SN70C14B SHOWN



RECOMMENDED PC BOARD LAYOUT COMPONENT SIDE

NOTES:

- MAY BE USED WITH PC BOARD THICKNESSES RANGING FROM 0.054 - 0.070.
- THESE DIMENSIONS VARY DEPENDING ON PCB THICKNESS. DIMENSIONS SHOWN ARE FREE STATE AS SHIPPED.
- MATERIAL SPECIFICATIONS:
HOUSING - THERMOPLASTIC, BLACK.
SPRINGS - SPECIAL COPPER ALLOY, TINNED.
BUSHING - COPPER ALLOY, NICKEL PLATED.
SLEEVE TERMINAL - SPECIAL COPPER ALLOY, TINNED.
HARDWARE - COPPER ALLOY, NICKEL PLATED.
- HARDWARE SHIPPED UNASSEMBLED.
- THESE PRODUCTS ARE RoHS COMPLIANT.

PART NUMBER	DIM "A"		DIM "B"	
	FREE STATE	WITH 0.062 THICK PCB	FREE STATE	WITH 0.062 THICK PCB
SN70C11	0.720	0.708	0.970	0.958
SN70C12A	0.720	0.708	0.970	0.958
SN70C12B	0.720	0.708	0.970	0.958
SN70C14B	0.720	0.708	0.970	0.958

REV	ECO NUMBER	DATE	BY	APVD
D	CAD REDRAW ECO #27409	11/17/14	PC	TJK

UNLESS OTHERWISE SPECIFIED
1. ALL DIMENSIONS IN INCHES
- TWO PLACE DECIMALS ±0.02
- THREE PLACE DECIMALS ±0.005

DO NOT SCALE DRAWING

THIS DRAWING DESCRIBES A DESIGN CONSIDERED PROPRIETARY IN NATURE, DEVELOPED AND MANUFACTURED BY SWITCHCRAFT INC. AND IS RELEASED ON A CONFIDENTIAL BASIS FOR IDENTIFICATION PURPOSES ONLY.

SIZE	WIDTH	MULT	LBS/M	TEMPER
FINISH		MATERIAL SPEC No.		
SPEC No.		SCALE 3:1		
DATE DRAWN	BY	CHKD	APVD	
11/21/83	EB	AM	RV	
		01/02/85	01/04/85	
NAME			PART No.	
PHONE JACK METAL BUSHING			SN70C SERIES	
				REV D

CUSTOMER DRAWING