



Chipsmall Limited consists of a professional team with an average of over 10 year of expertise in the distribution of electronic components. Based in Hongkong, we have already established firm and mutual-benefit business relationships with customers from,Europe,America and south Asia,supplying obsolete and hard-to-find components to meet their specific needs.

With the principle of “Quality Parts,Customers Priority,Honest Operation,and Considerate Service”,our business mainly focus on the distribution of electronic components. Line cards we deal with include Microchip,ALPS,ROHM,Xilinx,Pulse,ON,Everlight and Freescale. Main products comprise IC,Modules,Potentiometer,IC Socket,Relay,Connector.Our parts cover such applications as commercial,industrial, and automotives areas.

We are looking forward to setting up business relationship with you and hope to provide you with the best service and solution. Let us make a better world for our industry!



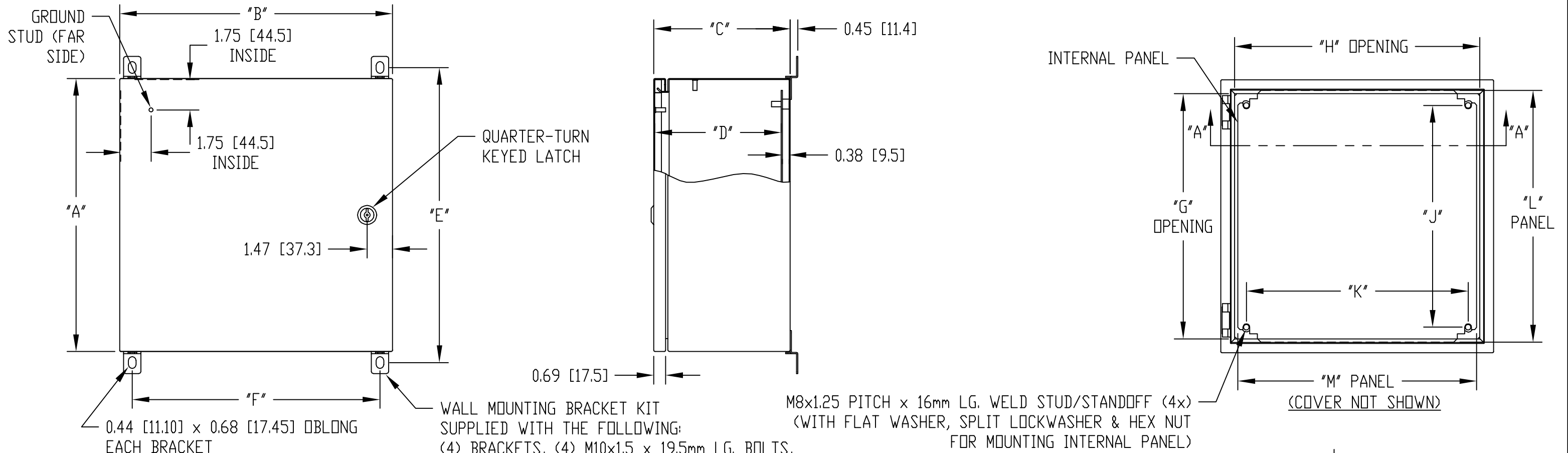
## Contact us

Tel: +86-755-8981 8866 Fax: +86-755-8427 6832

Email & Skype: info@chipsmall.com Web: www.chipsmall.com

Address: A1208, Overseas Decoration Building, #122 Zhenhua RD., Futian, Shenzhen, China





0.44 [11.10] x 0.68 [17.45] OBLONG EACH BRACKET

WALL MOUNTING BRACKET KIT SUPPLIED WITH THE FOLLOWING:  
 (4) BRACKETS, (4) M10x1.5 x 19.5mm LG. BOLTS,  
 (4) SEALING WASHERS, (4) FLAT WASHERS,  
 (4) SPLIT LOCKWASHERS & (4) HEX NUTS

M8x1.25 PITCH x 16mm LG. WELD STUD/STANDOFF (4x)  
 (WITH FLAT WASHER, SPLIT LOCKWASHER & HEX NUT FOR MOUNTING INTERNAL PANEL)

**MATERIAL:**  
 BODY & COVER - 16 GA. [1.5mm] C.R.S.  
 INTERNAL PANEL - 14 GA. [2.0mm] C.R.S.  
 WALL MTG. BRKTS - 14 GA. [2.0mm] TYPE 430 STAINLESS STEEL  
 STRIKER - C.R.S.  
 HINGE PINS & WALL MTG. HARDWARE - TYPE 201 STAINLESS STEEL  
 LATCH - ZINC DIE CAST  
 GASKET - 0.38 [9.5] THK. ROGERS CORP. PORDON #4701-30-15375-04 (BLACK)  
 SEALING WASHERS - BLACK NEOPRENE  
 HOLE PLUGS - LIGHT GRAY NEOPRENE

**FINISH:**  
 BODY & COVER - LIGHT GRAY SMOOTH POWDER COAT  
 INTERNAL PANEL - ZINC PLATED  
 WALL MOUNTING BRACKETS & HINGE PINS - NATURAL  
 STRIKER - ZINC PLATED  
 LATCH - CHROME PLATED

M6x1.0 PITCH x 16mm LG. WELD STUD (FOR GROUNDING) (SAME STUD IN COVER)

BOXES SUPPLIED WITH GROUNDING KIT THAT CONTAINS THE FOLLOWING: (1) GROUND WIRE, (4) FLAT WASHERS, (2) SPLIT LOCKWASHERS AND (2) HEX NUTS

PART NO.	"A"	"B"	"C"	"D"	"E"	"F"	"G"	"H"	"J"	"K"	"L"	"M"
SNB-3730	9.84 [250]	7.87 [200]	5.91 [150]	5.33 [135.4]	11.12 [282.3]	6.42 [163]	8.25 [209.6]	6.28 [159.6]	6.89 [175]	4.92 [125]	8.46 [215]	5.91 [150]
SNB-3738	7.87 [200]	5.91 [150]	5.91 [150]	5.33 [135.4]	9.15 [232.3]	4.45 [113]	6.28 [159.6]	4.31 [109.6]	4.92 [125]	2.95 [75]	6.50 [165]	3.94 [100]
SNB-3739	7.87 [200]	7.87 [200]	3.98 [101]	3.40 [86.4]	9.15 [232.3]	6.42 [163]	6.28 [159.6]	6.28 [159.6]	4.92 [125]	4.92 [125]	6.50 [165]	5.91 [150]
SNB-3740	9.84 [250]	9.84 [250]	5.91 [150]	5.33 [135.4]	11.12 [282.3]	8.39 [213]	8.25 [209.6]	8.25 [209.6]	6.89 [175]	6.89 [175]	8.46 [215]	7.87 [200]
SNB-3741	9.84 [250]	7.87 [200]	3.98 [101]	3.40 [86.4]	11.12 [282.3]	6.42 [163]	8.25 [209.6]	6.28 [159.6]	6.89 [175]	4.92 [125]	8.46 [215]	5.91 [150]