



Chipsmall Limited consists of a professional team with an average of over 10 year of expertise in the distribution of electronic components. Based in Hongkong, we have already established firm and mutual-benefit business relationships with customers from,Europe,America and south Asia,supplying obsolete and hard-to-find components to meet their specific needs.

With the principle of “Quality Parts,Customers Priority,Honest Operation,and Considerate Service”,our business mainly focus on the distribution of electronic components. Line cards we deal with include Microchip,ALPS,ROHM,Xilinx,Pulse,ON,Everlight and Freescale. Main products comprise IC,Modules,Potentiometer,IC Socket,Relay,Connector.Our parts cover such applications as commercial,industrial, and automotives areas.

We are looking forward to setting up business relationship with you and hope to provide you with the best service and solution. Let us make a better world for our industry!



Contact us

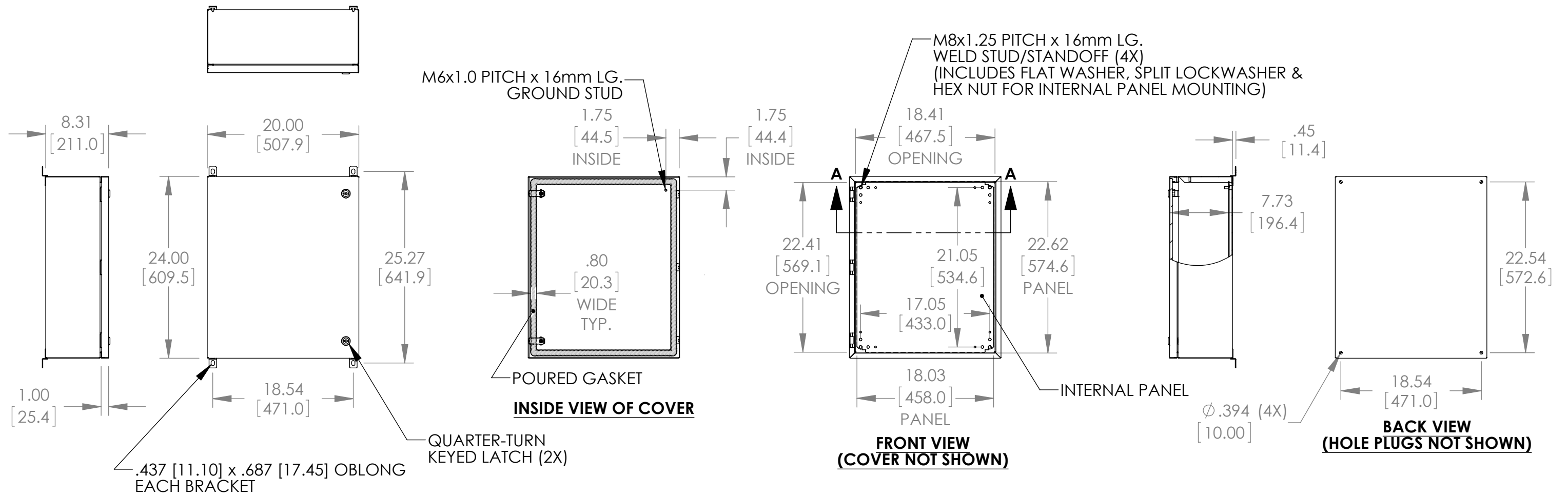
Tel: +86-755-8981 8866 Fax: +86-755-8427 6832

Email & Skype: info@chipsmall.com Web: www.chipsmall.com

Address: A1208, Overseas Decoration Building, #122 Zhenhua RD., Futian, Shenzhen, China



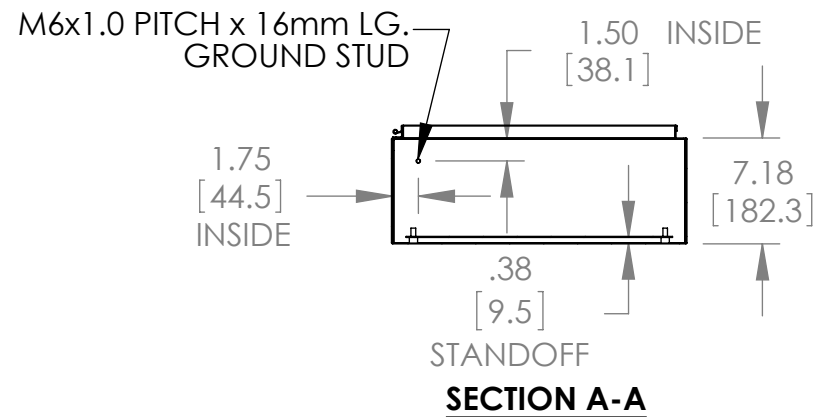
DESIGNED TO MEET NEMA 1, 2, 4, 4X, 12, 13 AND IP-66
UL LISTED AND TESTED TO UL508A. UL FILE #E194432


MATERIAL:

BODY & COVER - 16 GA. [1.5mm] C.R.S.
INTERNAL PANEL - 14 GA. [2.0mm] C.R.S.
WALL MOUNTING BRACKETS - 14 GA. [2.0mm] TYPE 430 STAINLESS STEEL
STRIKERS - 11 GA. STAINLESS STEEL 304
HINGE PINS & WALL MOUNTING HARDWARE - TYPE 201 STAINLESS STEEL
INTERNAL PANEL MOUNTING HARDWARE & GROUND STUD HARDWARE - PLAIN STEEL
LATCHES - ZINC DIE CAST
LATCH GASKET WASHER - BLACK ACRYLONITRILE-BUTADIENE RUBBER
POURED GASKET - BLACK POLYURETHANE FOAM
SEALING WASHERS - BLACK NEOPRENE
HOLE PLUGS - LIGHT GRAY NEOPRENE

FINISH:

BODY & COVER - LIGHT GRAY SMOOTH POWDER COAT
INTERNAL PANEL, INTERNAL PANEL MOUNTING HARDWARE & GROUND STUD HARDWARE - CLEAR ZINC PLATED
WALL MOUNTING BRACKETS, STRIKERS & HINGE PINS - NATURAL
LATCHES - CHROME PLATED


SUPPLIED WALL MOUNTING BRACKET KIT CONTAINS:

QTY. (4) WALL MOUNTING BRACKETS
QTY. (4) HEX HEAD BOLT M10x1.5 PITCH x 19.5mm LG.
QTY. (8) SEALING WASHERS
QTY. (4) FLAT WASHERS M10
QTY. (4) SPLIT LOCKWASHERS M10
QTY. (4) HEX NUTS M10x1.5

SUPPLIED GROUNDING KIT CONTAINS:

QTY. (1) GROUND WIRE 14-16 GA. YELLOW/GREEN WITH RING TERMINAL (M6) AT EACH END
QTY. (4) FLAT WASHER M6
QTY. (2) SPLIT LOCKWASHER M6
QTY. (2) HEX NUT M6x1.0

