



Chipsmall Limited consists of a professional team with an average of over 10 year of expertise in the distribution of electronic components. Based in Hongkong, we have already established firm and mutual-benefit business relationships with customers from,Europe,America and south Asia,supplying obsolete and hard-to-find components to meet their specific needs.

With the principle of “Quality Parts,Customers Priority,Honest Operation,and Considerate Service”,our business mainly focus on the distribution of electronic components. Line cards we deal with include Microchip,ALPS,ROHM,Xilinx,Pulse,ON,Everlight and Freescale. Main products comprise IC,Modules,Potentiometer,IC Socket,Relay,Connector.Our parts cover such applications as commercial,industrial, and automotives areas.

We are looking forward to setting up business relationship with you and hope to provide you with the best service and solution. Let us make a better world for our industry!



## Contact us

Tel: +86-755-8981 8866 Fax: +86-755-8427 6832

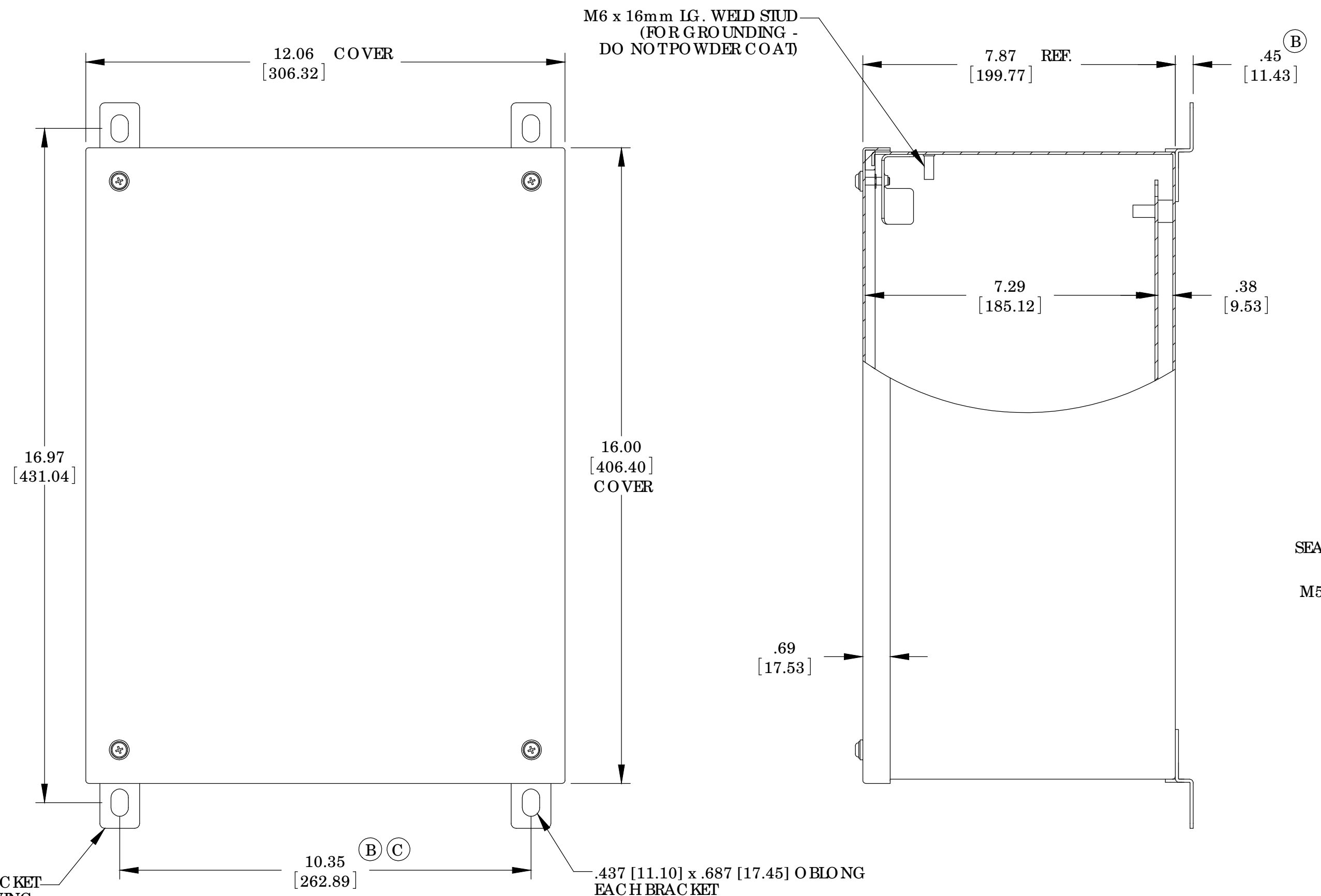
Email & Skype: info@chipsmall.com Web: www.chipsmall.com

Address: A1208, Overseas Decoration Building, #122 Zhenhua RD., Futian, Shenzhen, China

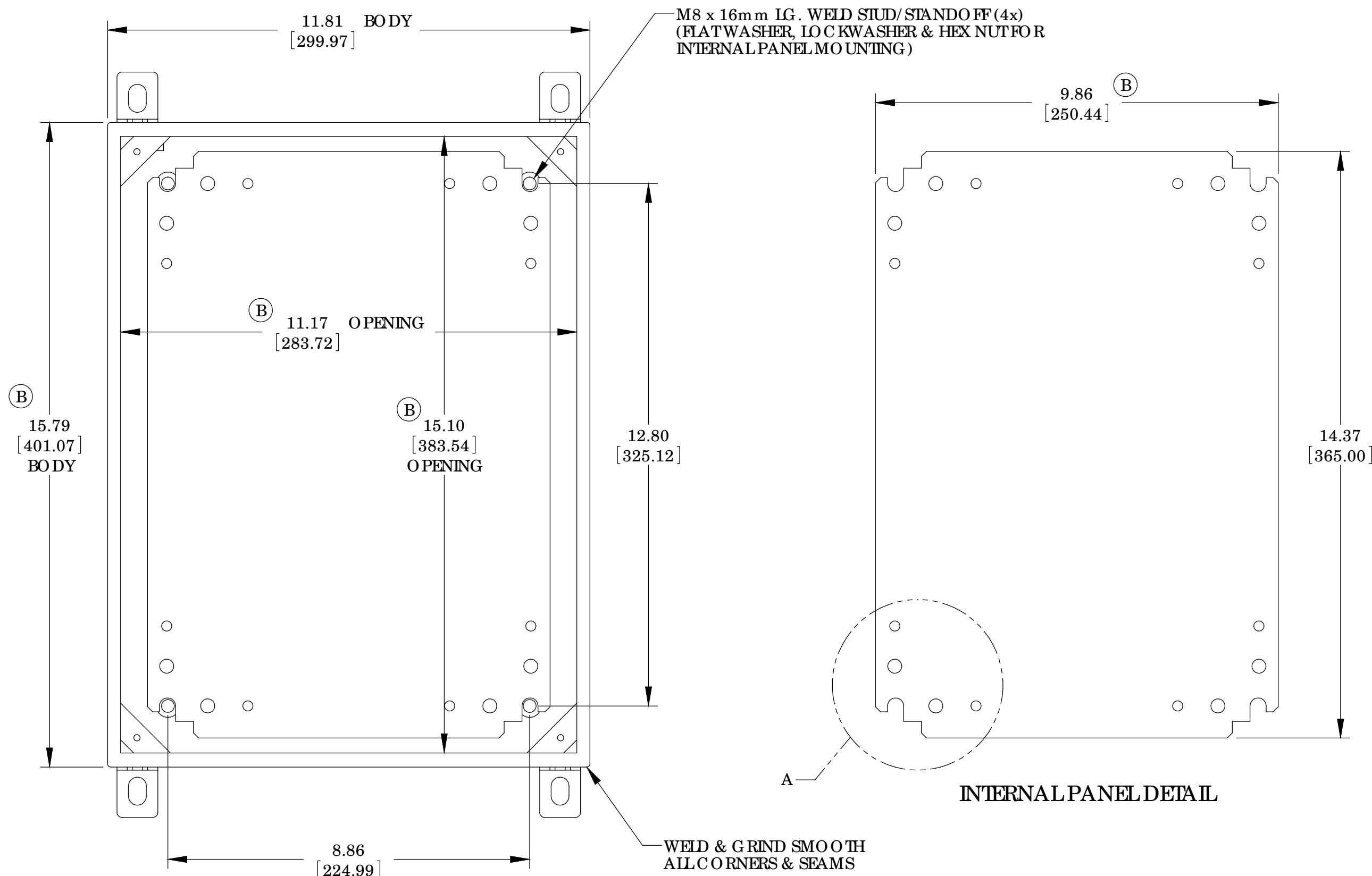


THE INFORMATION CONTAINED IN THIS DRAWING IS THE SOLE PROPERTY OF BUD INDUSTRIES INC. ANY REPRODUCTION IN PART OR WHOLE WITHOUT THE WRITTEN PERMISSION OF BUD INDUSTRIES INC. IS PROHIBITED.

SNC-3756	
ISSUE	REVISIONS
(A)	REVISED DESIGN 6-30-08 DAB
(B)	PER ECN # 10404 12-4-08 DAB
(C)	PER ECN # 10446 1-13-09 BT



WALL MOUNTING BRACKET KIT TO CONTAIN THE FOLLOWING:  
(4) BRACKETS, (4) BOLTS, (4) SEALING WASHERS, (4) FLAT WASHERS, (4) LOCKWASHERS & (4) HEX NUTS

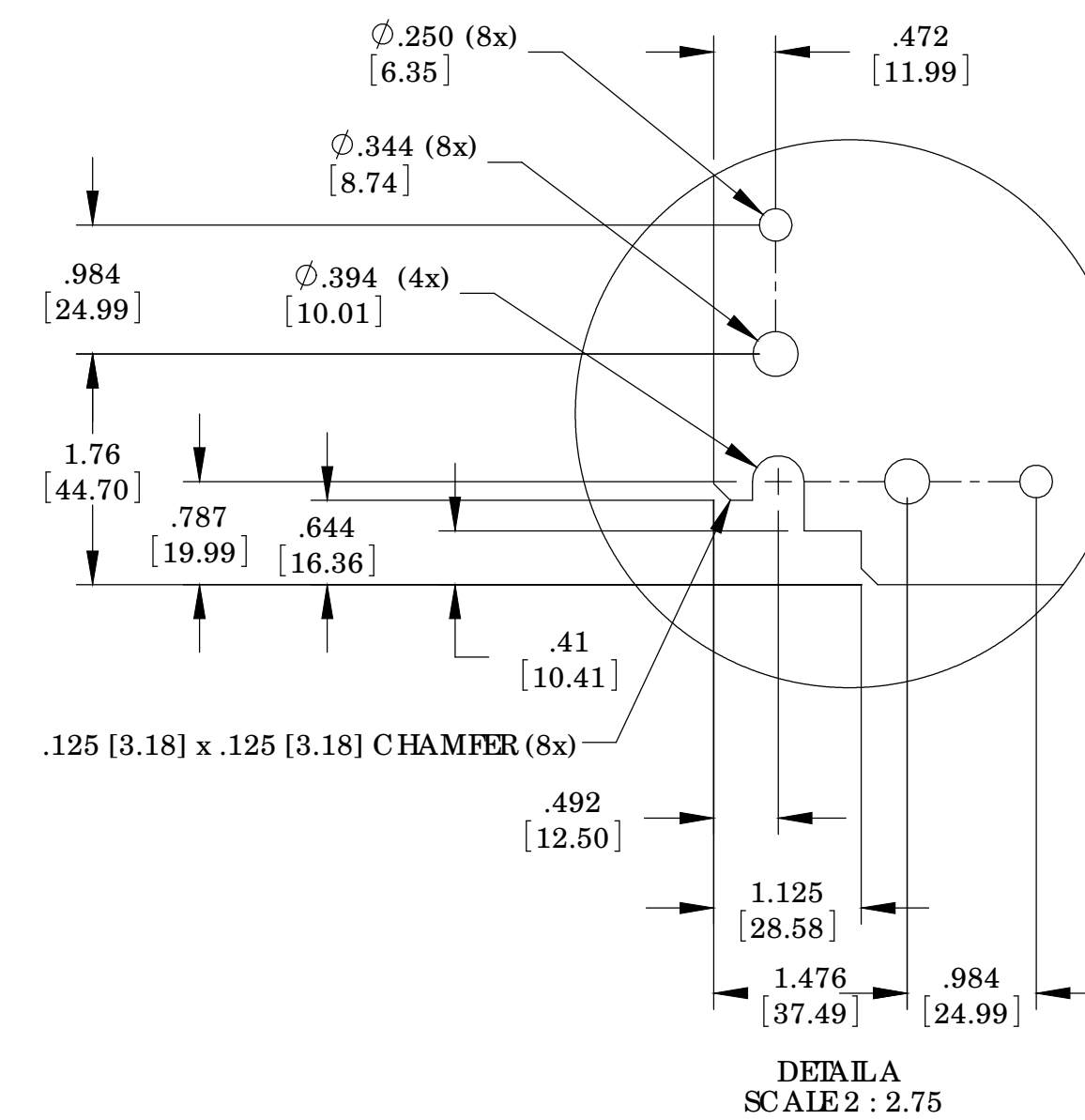
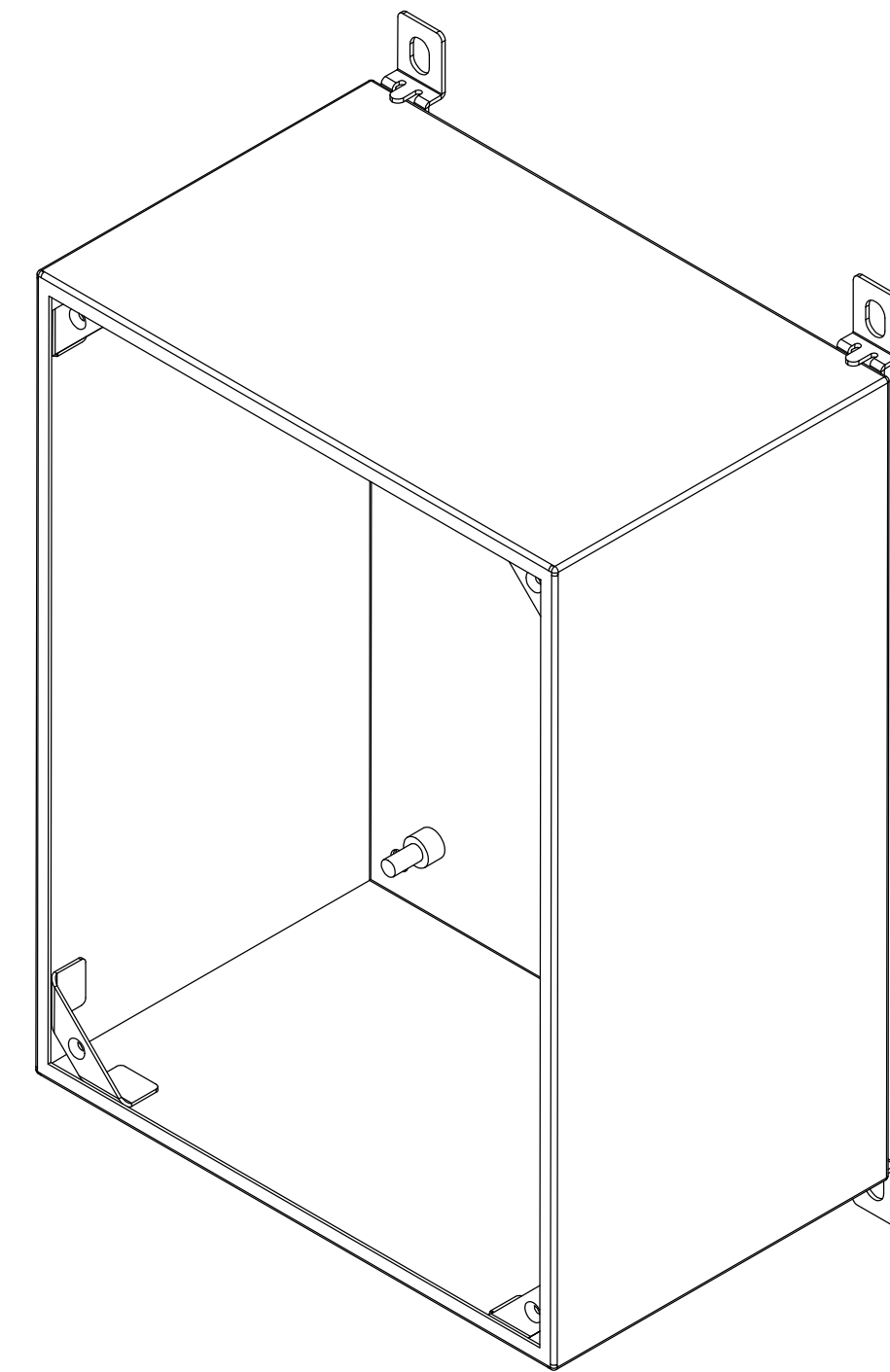
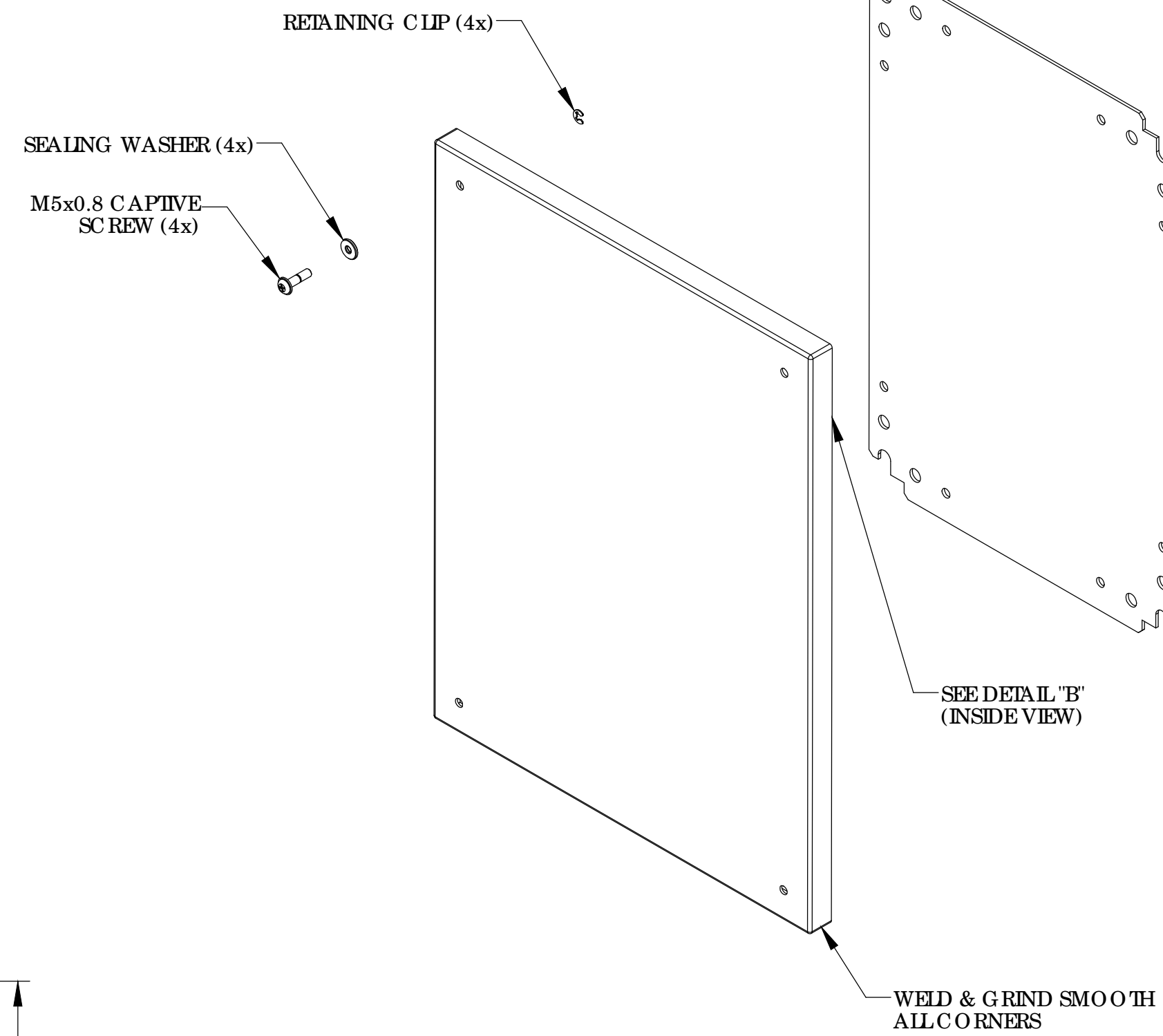


FRONT VIEW (LESS COVER)

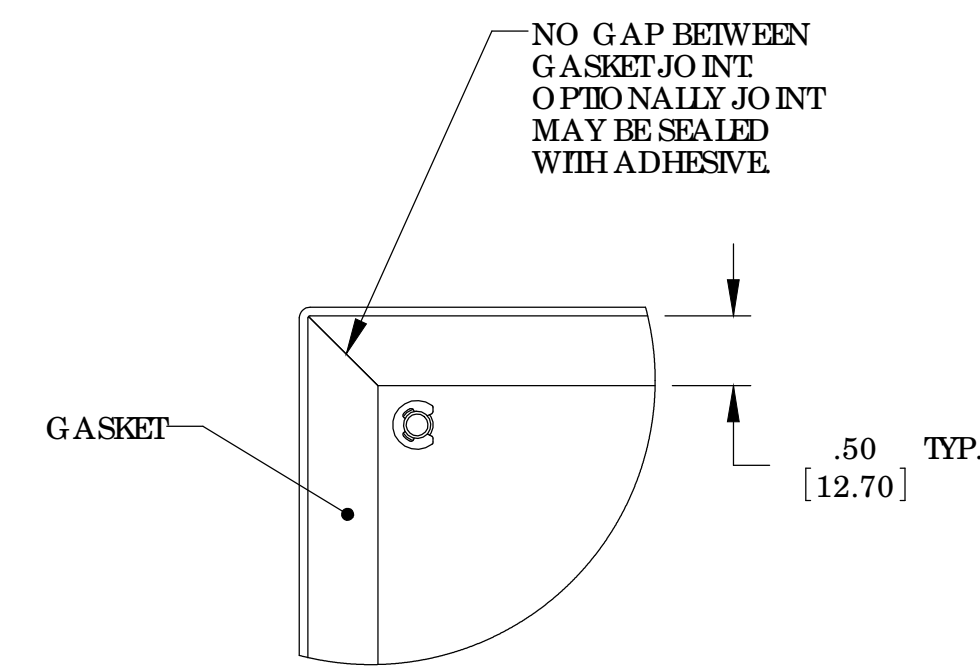
INTERNAL PANEL DETAIL

**MATERIAL:**  
BODY, COVER MOUNTING BRACKETS, COVER - 16 GA. [1.5mm] C.R.S.  
INTERNAL PANEL - 14 GA. [2.0mm] C.R.S.  
WALL MOUNTING BRACKETS - 14 GA. [2.0mm] STAINLESS STEEL  
HARDWARE - STAINLESS STEEL  
GASKET - .25 [6.35] THICK NBR PRENE (BLACK OR EQUIVALENT)  
SEALING WASHERS - BLACK NBR PRENE OR EQUIVALENT

**FINISH:**  
BODY & COVER - LIGHT GRAY SMOOTH POWDER COAT  
INTERNAL PANEL - ZINC CHROMATE  
WALL MOUNTING BRACKETS - NATURAL



DETAIL A  
SCALE 2 : 2.75



DETAIL B  
SCALE 2 : 2.75

UNLESS OTHERWISE SPECIFIED ALL DIMENSIONS ARE IN INCHES (MILLIMETERS)		CAD GENERATED DRAWING DO NOT MANUALLY UPDATE		BUD INDUSTRIES INC.	
DESIGNED BY	APPROVED BY	DATE	DATE	NEMA SHEET METAL BOX w/LIFT-OFF SCREW COVER	
DAB	DAB	5-5-08		SIZE	DWG. NO. SNC-3756
AS NOTED	AS NOTED			SCALE	CAD FILE
QTY.	USED ON	DO NOT SCALE DRAWING		SHEET	1 OF 1