



Chipsmall Limited consists of a professional team with an average of over 10 year of expertise in the distribution of electronic components. Based in Hongkong, we have already established firm and mutual-benefit business relationships with customers from,Europe,America and south Asia,supplying obsolete and hard-to-find components to meet their specific needs.

With the principle of “Quality Parts,Customers Priority,Honest Operation,and Considerate Service”,our business mainly focus on the distribution of electronic components. Line cards we deal with include Microchip,ALPS,ROHM,Xilinx,Pulse,ON,Everlight and Freescale. Main products comprise IC,Modules,Potentiometer,IC Socket,Relay,Connector.Our parts cover such applications as commercial,industrial, and automotives areas.

We are looking forward to setting up business relationship with you and hope to provide you with the best service and solution. Let us make a better world for our industry!



Contact us

Tel: +86-755-8981 8866 Fax: +86-755-8427 6832

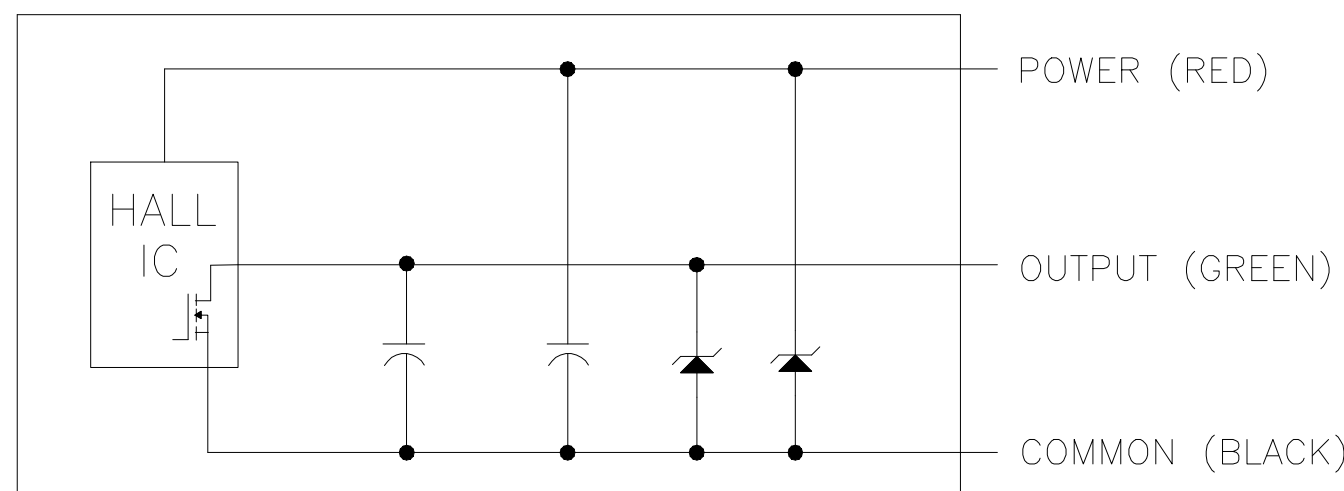
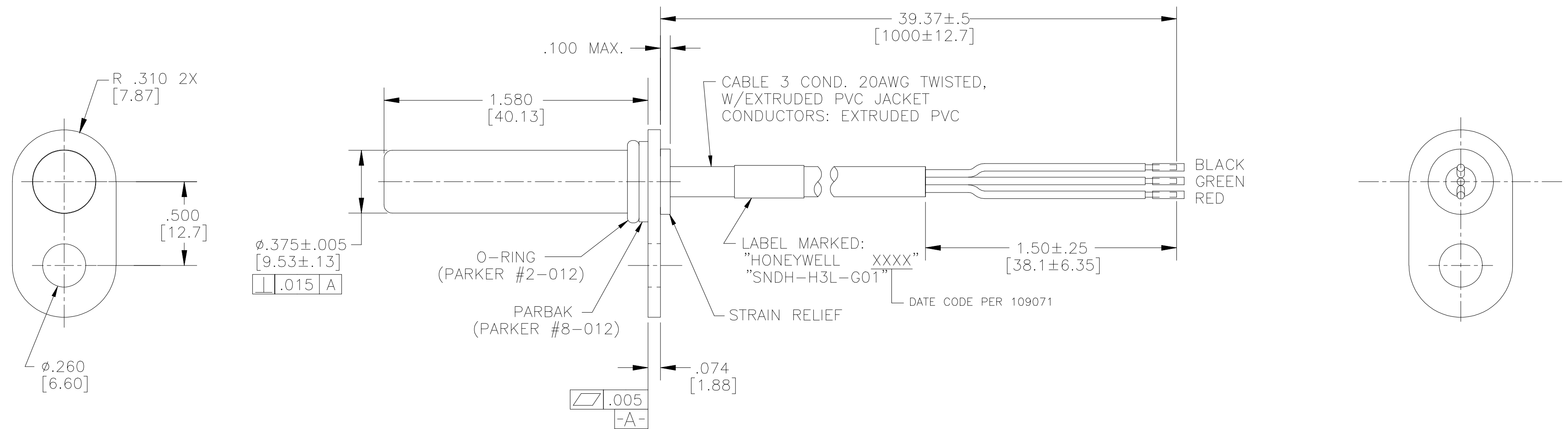
Email & Skype: info@chipsmall.com Web: www.chipsmall.com

Address: A1208, Overseas Decoration Building, #122 Zhenhua RD., Futian, Shenzhen, China



PARAMETER	MIN	MAX	UNIT	CONDITION
SUPPLY VOLTAGE	4.0	24	VDC	
SUPPLY CURRENT	-	6	mA	
OUTPUT CURRENT	-	30	mA	Short Ckt Protected
OUTPUT ON VOLTAGE	-	0.6	VDC	at 25 mA load
OUTPUT CONFIG.	-	-	-	Open Drain MOSFET
TARGET ORIENTATION	-	-	-	Omnidirectional
DUTY CYCLE	35	65	Max	Within Operating Gap
OPERATING FREQUENCY	0	15	KHZ	
OPERATING TEMP	-40	121	°C	For Sensor Head
OPERATING TEMP	-40	105	°C	For Sensor Cable
DIELECTRIC	-	200	VDC	-

NOTES:
1. DIMENSIONS IN BRACKETS [] ARE IN MILLIMETERS.



DESIGN UNITS: INCH TOLERANCES UNLESS NOTED:	DRAWN: BNR 30JUL12	Honeywell	
NO PLACES X ± **.03	CHECK: HMP 30JUL12		
ONE PLACE .X ± .03	THIS DRAWING COVERS A PROPRIETARY ITEM AND IS THE PROPERTY OF HONEYWELL. THIS DRAWING IS NOT TO BE COPIED OR USED WITHOUT THE PERMISSION OF HONEYWELL.		TITLE: ZERO SPEED HALL SMOOTH .375 X 1.69
TWO PLACE .XX ± .010	INTERPRET PER ASME Y14.5M-1994 OTHER HONEYWELL ENGINEERING STANDARDS MAY APPLY		SIZE: C TYPE: I CAGE CODE: - DRAWING NAME: SNDH-H3L-G03 REV: B
THREE PLACE .XXX ± .005	AUTOCAD 2D		SCALE: NONE SHEET: 1 OF 1
FOUR PLACE .XXXX ± .0005			
ANGLES X ± 5°			
THIRD ANGLE PROJECTION			