



Chipsmall Limited consists of a professional team with an average of over 10 year of expertise in the distribution of electronic components. Based in Hongkong, we have already established firm and mutual-benefit business relationships with customers from,Europe,America and south Asia,supplying obsolete and hard-to-find components to meet their specific needs.

With the principle of “Quality Parts,Customers Priority,Honest Operation,and Considerate Service”,our business mainly focus on the distribution of electronic components. Line cards we deal with include Microchip,ALPS,ROHM,Xilinx,Pulse,ON,Everlight and Freescale. Main products comprise IC,Modules,Potentiometer,IC Socket,Relay,Connector.Our parts cover such applications as commercial,industrial, and automotives areas.

We are looking forward to setting up business relationship with you and hope to provide you with the best service and solution. Let us make a better world for our industry!



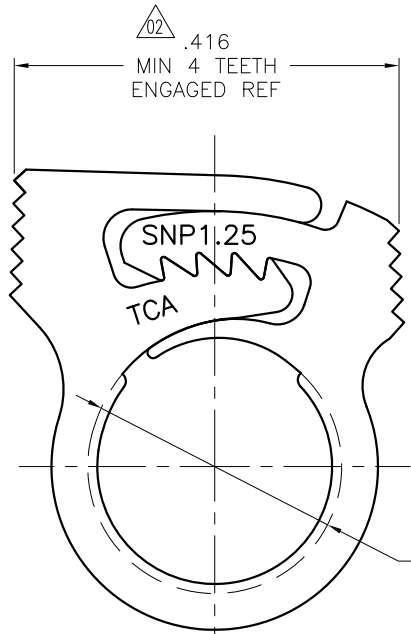
Contact us

Tel: +86-755-8981 8866 Fax: +86-755-8427 6832

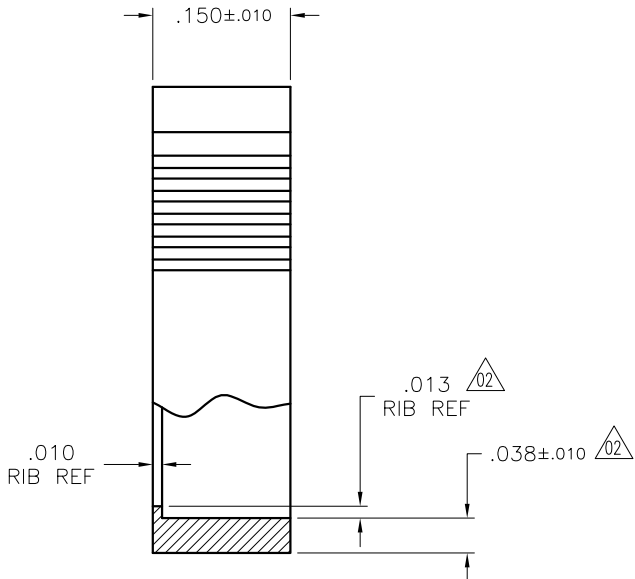
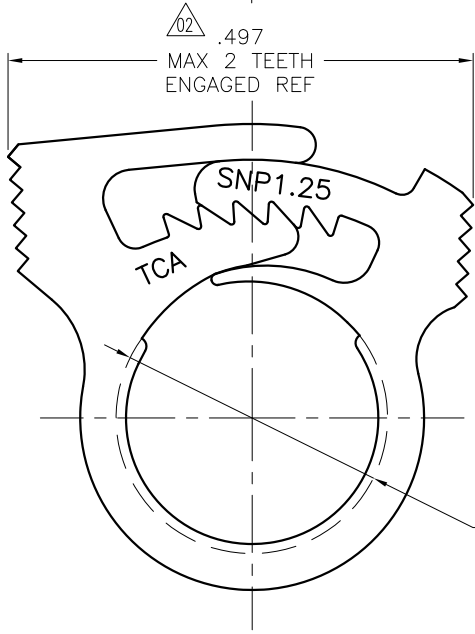
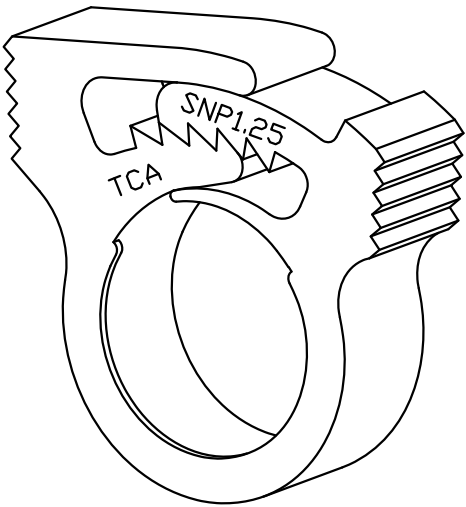
Email & Skype: info@chipsmall.com Web: www.chipsmall.com

Address: A1208, Overseas Decoration Building, #122 Zhenhua RD., Futian, Shenzhen, China





FULL SIZE
AS MOLDED



REDUCED
NO SCALE

HellermannTyton

ALL PROPRIETARY RIGHTS IN THE SUBJECT MATTER SHOWN ON THIS DRAWING ARE EXCLUSIVE PROPERTY OF HELLERMANNTYTON

name	date	city, state

NOTES

- INSIDE DIAMETERS ARE MEASURED IN THREE PLACES SPACED 120° APART EXCLUDING .010 WIDE RIB
- 8 TOTAL TEETH, 4 TEETH POSITIONS

REVISION	level	$\triangle 02$
	date	03/16/09
	by	AAC
	ECN #	011268
	part level	-

DIMENSIONS
UNLESS OTHERWISE SPECIFIED
units inches

number	SNP1.25GHS_	phase	PRODUCTION
name	SNAPPER 1.25 HOSE CLAMP		
material	NYLON 6/6 13% GLASS FILLED HEAT STABILIZED		

DRAWING	FORMAT C version	M	CAD	ACAD	scale	10X
	computer file number	CP\CST\2125001_02	previous number			
	date	5/4/93	released	K.A.C.	approved	
	type	CUSTOMER	date	03/16/09	sheet	1 of 1
	number	CP2125001CST				