



Chipsmall Limited consists of a professional team with an average of over 10 year of expertise in the distribution of electronic components. Based in Hongkong, we have already established firm and mutual-benefit business relationships with customers from,Europe,America and south Asia,supplying obsolete and hard-to-find components to meet their specific needs.

With the principle of “Quality Parts,Customers Priority,Honest Operation,and Considerate Service”,our business mainly focus on the distribution of electronic components. Line cards we deal with include Microchip,ALPS,ROHM,Xilinx,Pulse,ON,Everlight and Freescale. Main products comprise IC,Modules,Potentiometer,IC Socket,Relay,Connector.Our parts cover such applications as commercial,industrial, and automotives areas.

We are looking forward to setting up business relationship with you and hope to provide you with the best service and solution. Let us make a better world for our industry!



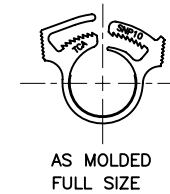
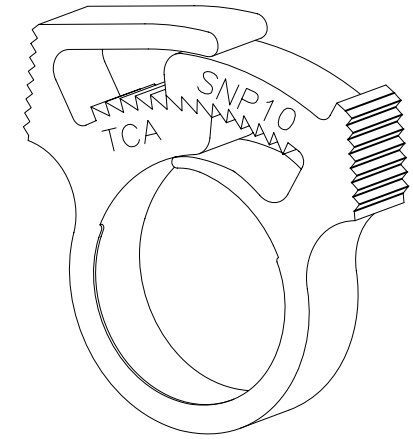
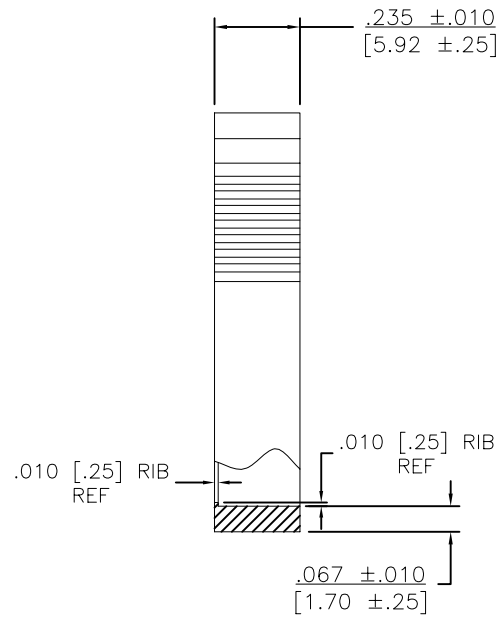
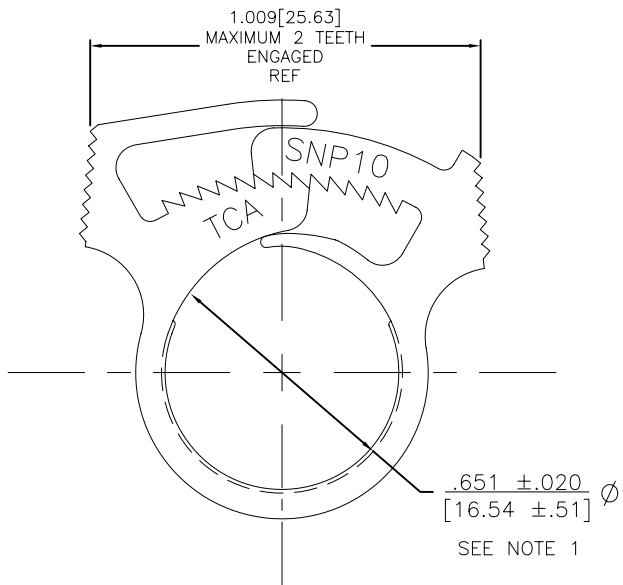
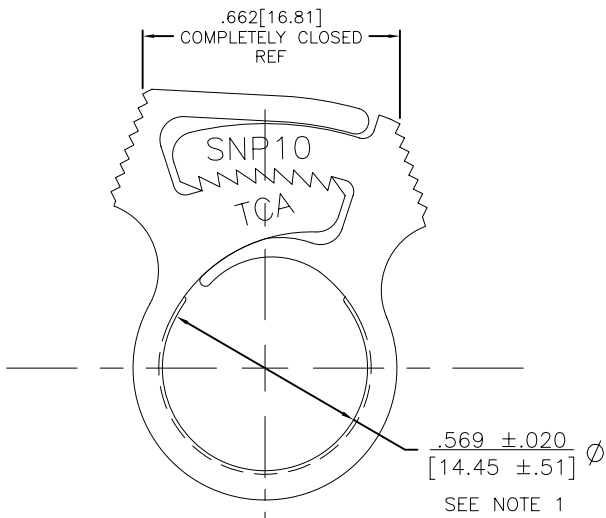
Contact us

Tel: +86-755-8981 8866 Fax: +86-755-8427 6832

Email & Skype: info@chipsmall.com Web: www.chipsmall.com

Address: A1208, Overseas Decoration Building, #122 Zhenhua RD., Futian, Shenzhen, China





REDUCED
NO SCALE

HellermannTyton.		
ALL PROPRIETARY RIGHTS IN THE SUBJECT MATTER SHOWN ON THIS DRAWING ARE EXCLUSIVE PROPERTY OF HELLERMANNTYTON		
name	date	city, state

NOTES:

- 1) INSIDED DIAMETERS ARE MEASURED IN THREE PLACES SPACED 120° APART EXCLUDING .010 WIDE RIB.
- 2) 16 TOTAL TEETH, 8 TEETH POSITIONS

REVISIONS	RD level	A
	AW date	02/21/00
	W by	AAM
	SI ECN #	001711
	ION part level	A
DIMENSIONS	.XXXX=	
	.XXX= NOTED	
	.XX=	
	.X=	
	∠=	
unless otherwise specified		
units inches/[mm]		

number	SNP1010	phase	PRODUCTION
name	SNAPPER 10 HOSE CLAMP		
material	ACETAL WHITE		

revision	CP2010002A	scale	4X
date	02/21/00	previous number	
type	CUSTOMER	sheet	1 of 1
number	CP2010002CST		