



Chipsmall Limited consists of a professional team with an average of over 10 year of expertise in the distribution of electronic components. Based in Hongkong, we have already established firm and mutual-benefit business relationships with customers from,Europe,America and south Asia,supplying obsolete and hard-to-find components to meet their specific needs.

With the principle of “Quality Parts,Customers Priority,Honest Operation,and Considerate Service”,our business mainly focus on the distribution of electronic components. Line cards we deal with include Microchip,ALPS,ROHM,Xilinx,Pulse,ON,Everlight and Freescale. Main products comprise IC,Modules,Potentiometer,IC Socket,Relay,Connector.Our parts cover such applications as commercial,industrial, and automotives areas.

We are looking forward to setting up business relationship with you and hope to provide you with the best service and solution. Let us make a better world for our industry!



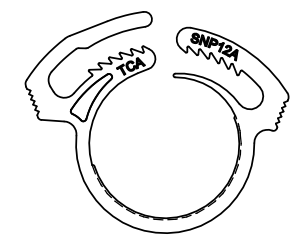
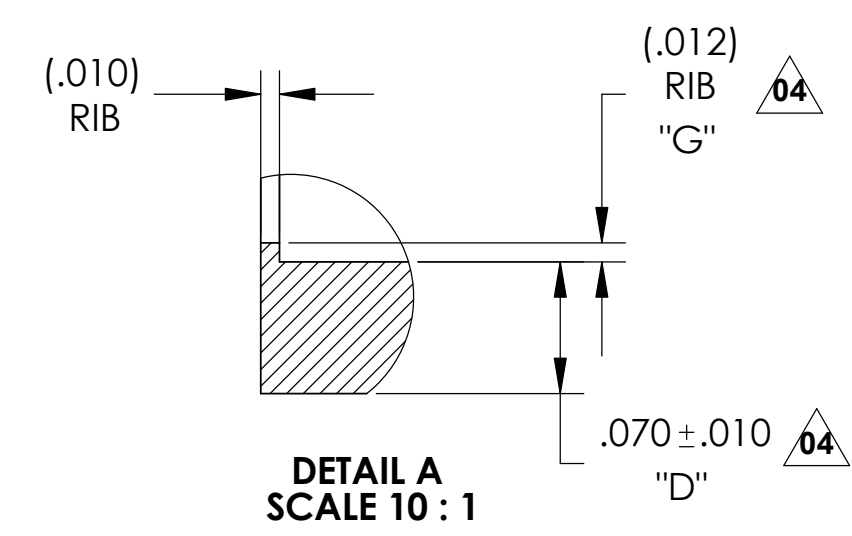
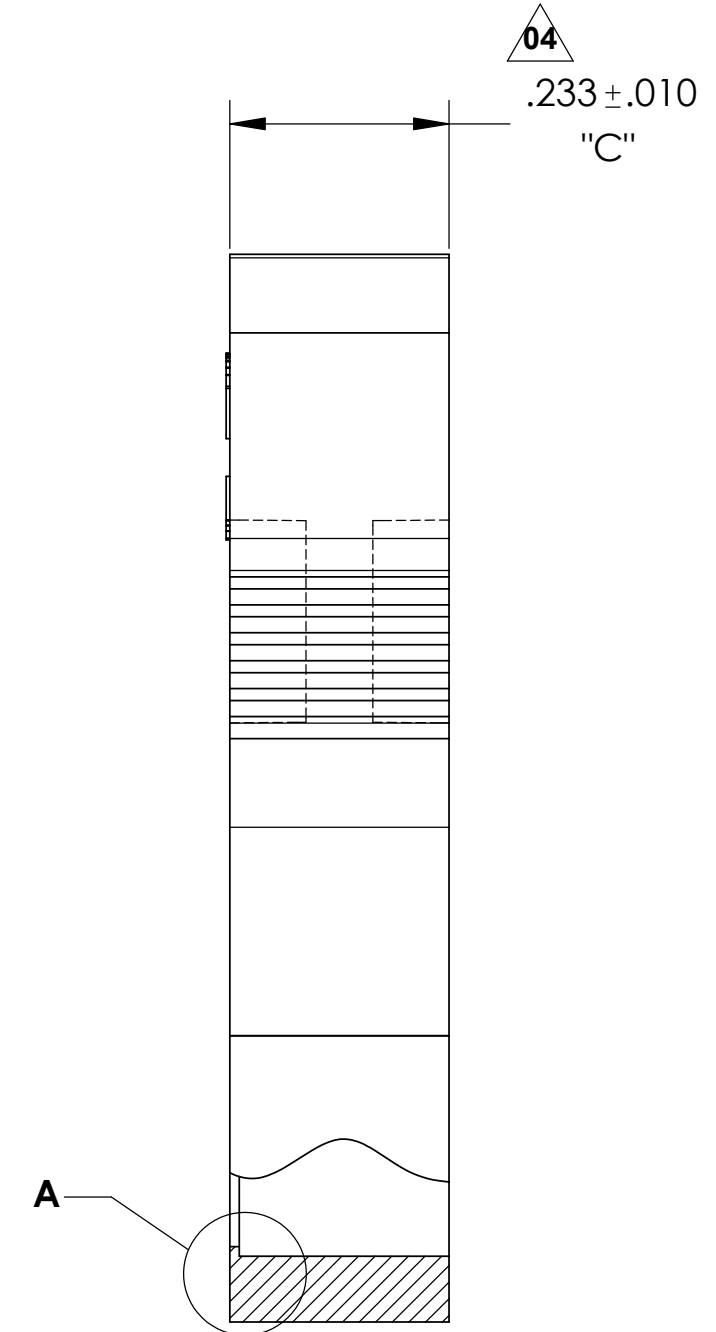
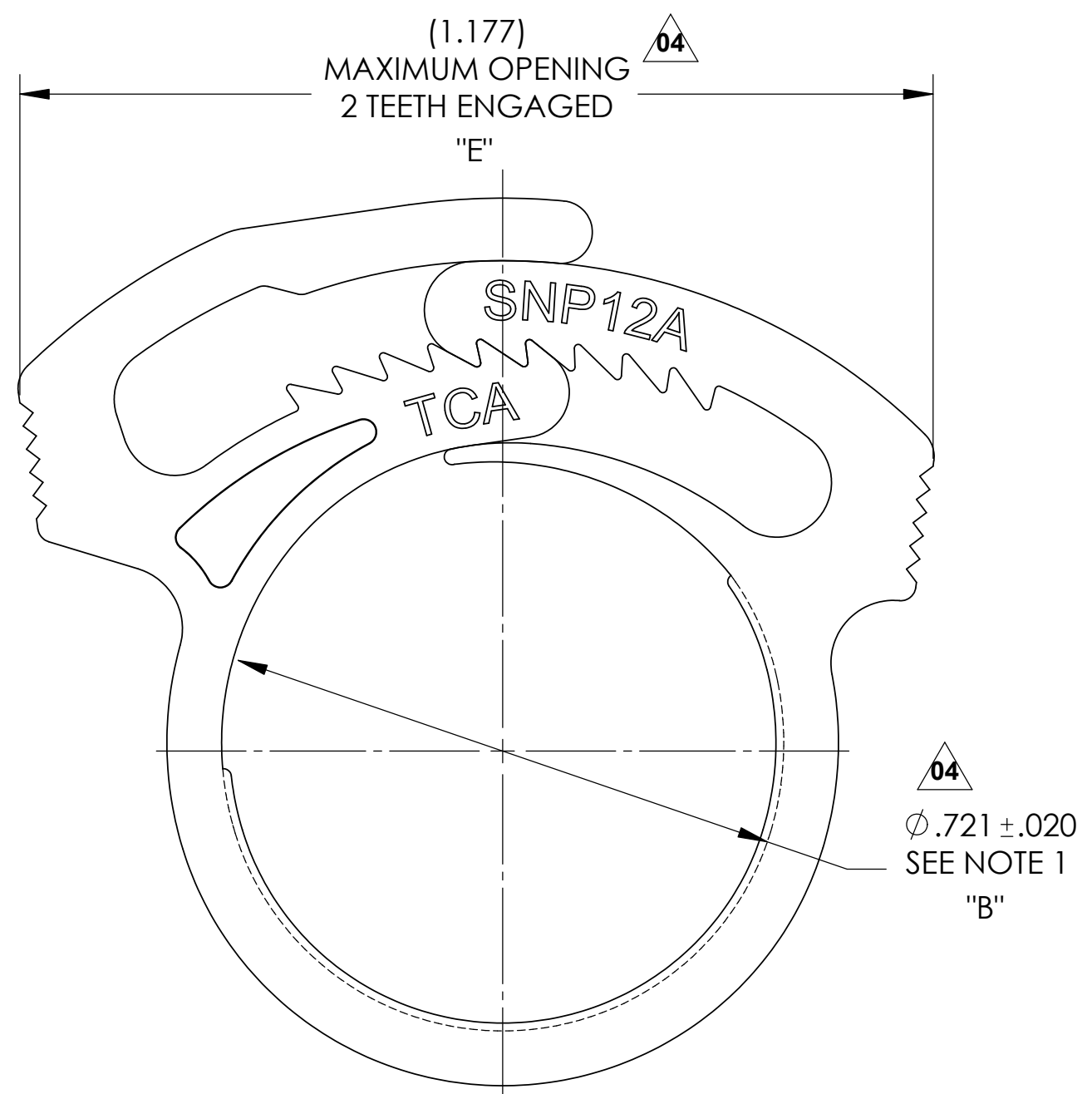
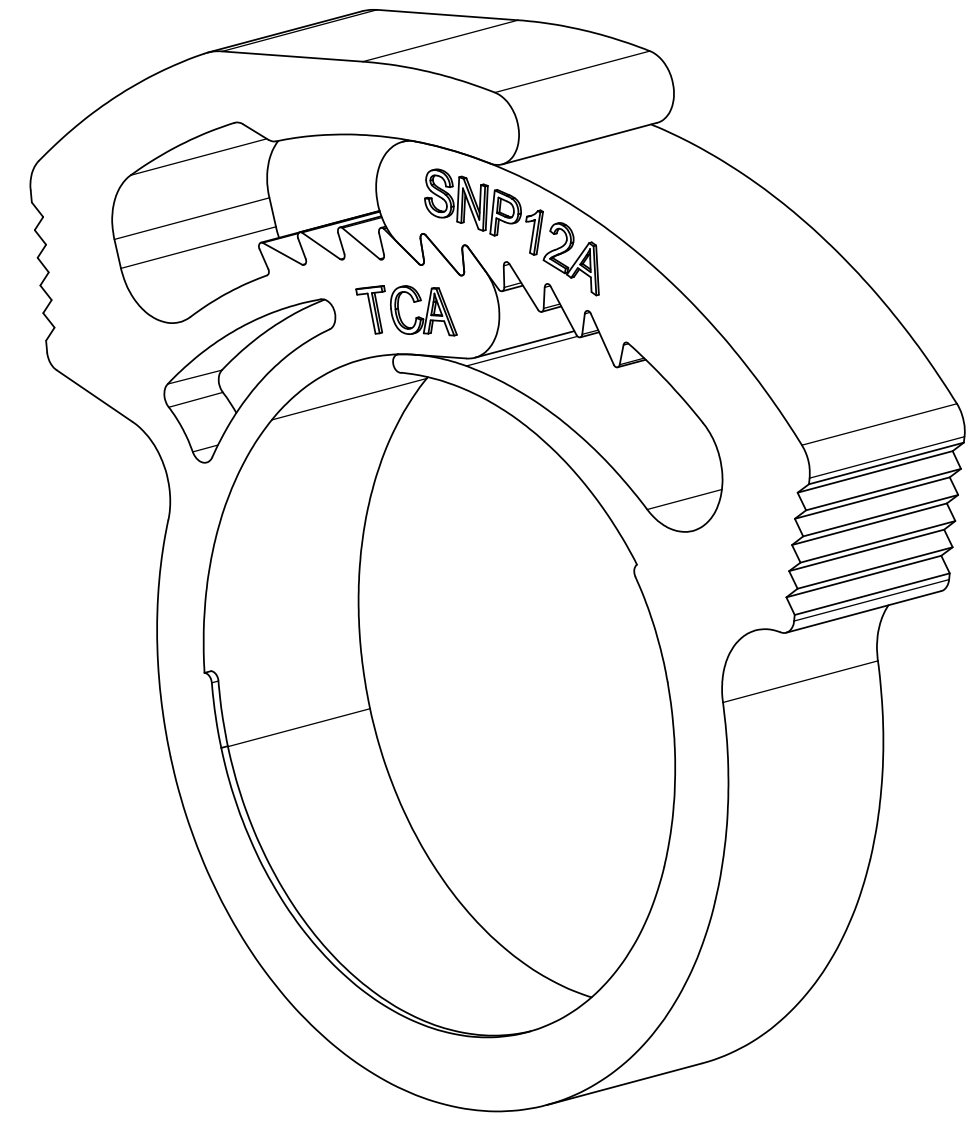
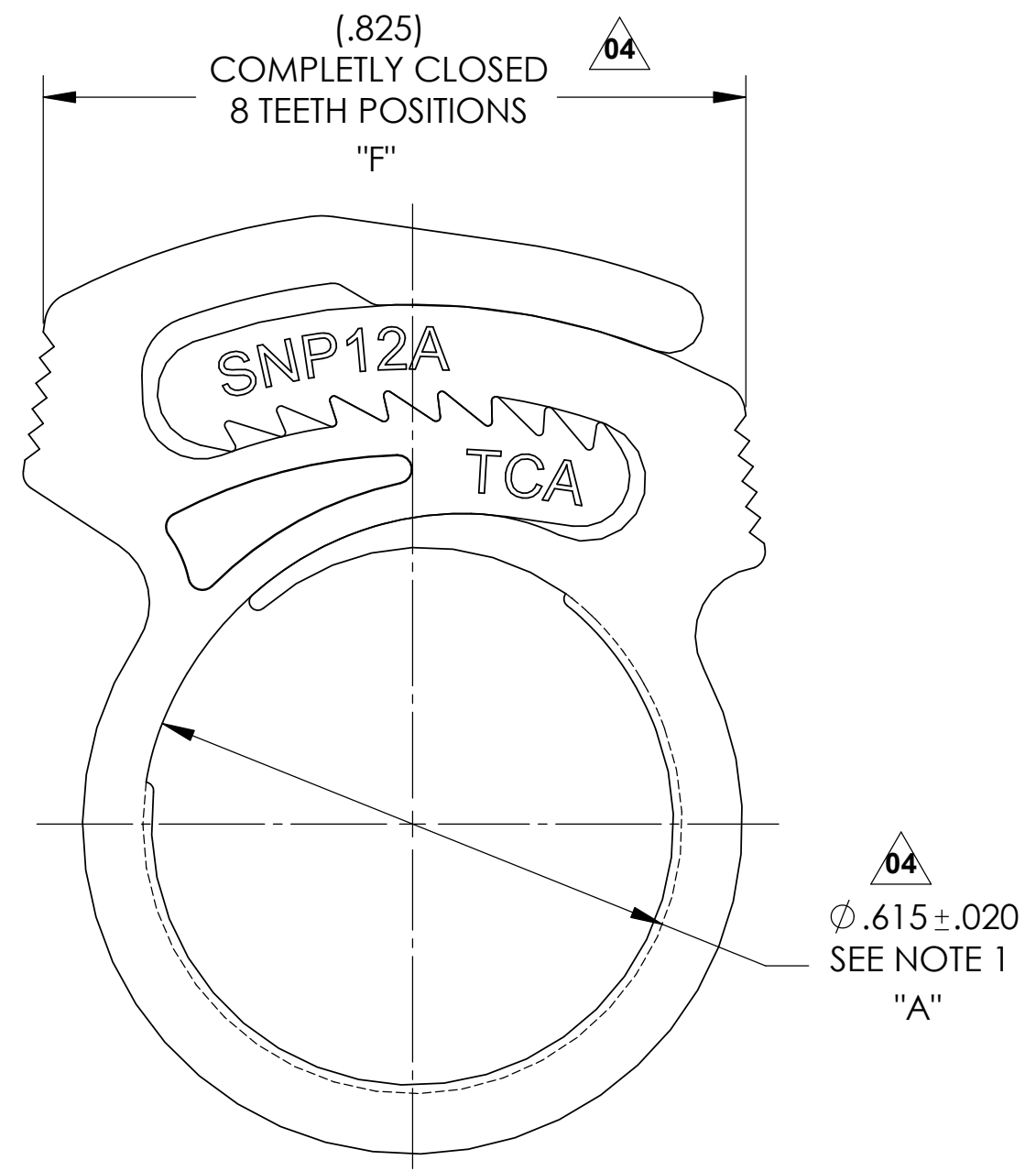
## Contact us

Tel: +86-755-8981 8866 Fax: +86-755-8427 6832

Email & Skype: info@chipsmall.com Web: www.chipsmall.com

Address: A1208, Overseas Decoration Building, #122 Zhenhua RD., Futian, Shenzhen, China





AS MOLDED FULL SCALE

**PRODUCT CODE DESCRIPTION**  
 SNP12AGHS\_ COLOR (CONSULT FACTORY FOR AVAILABLE COLORS)

**HellermannTyton**  
 ALL PROPRIETARY RIGHTS IN THE SUBJECT MATTER SHOWN ON THIS DRAWING ARE EXCLUSIVE PROPERTY OF HELLERMANN TYTON

name	date	city, state

- NOTES**
- 1) INSIDE DIAMETERS ARE MEASURED IN THREE PLACES SPACED 120 DEGREES APART EXCLUDING RIB.
  - 2) 12 TOTAL TEETH, 8 TEETH POSITIONS.

**REVISION**

level	04
by	AAC
date	05/09/2006
ECN #	010418
part level	A

**TOLERANCES**

.XXXX = ±.0005  
 .XXX = ±.005  
 .XX = ±.01  
 .X = ±.03  
 ∠ = ±0.5°  
 unless otherwise specified

units inches

**PART**

number	SNP12AGHS_	phase	Production
name SNP12A HOSE CLAMP			
material NYLON 6/6 13% GLASS FILLED; HEAT STABILIZED			

**DRAWING**

formal version N	C	CAD	SW 2006	scale	5:1
computer file name	CP05-048-001CST_04	previous drawing number			
drawn	K.A.C.	checked	K.A.C.	approved	
date	07/28/2004	date	05/09/2006		
type	Customer	sheet 1 of 1			
number	CP05-048-001CST				