



Chipsmall Limited consists of a professional team with an average of over 10 year of expertise in the distribution of electronic components. Based in Hongkong, we have already established firm and mutual-benefit business relationships with customers from,Europe,America and south Asia,supplying obsolete and hard-to-find components to meet their specific needs.

With the principle of “Quality Parts,Customers Priority,Honest Operation,and Considerate Service”,our business mainly focus on the distribution of electronic components. Line cards we deal with include Microchip,ALPS,ROHM,Xilinx,Pulse,ON,Everlight and Freescale. Main products comprise IC,Modules,Potentiometer,IC Socket,Relay,Connector.Our parts cover such applications as commercial,industrial, and automotives areas.

We are looking forward to setting up business relationship with you and hope to provide you with the best service and solution. Let us make a better world for our industry!



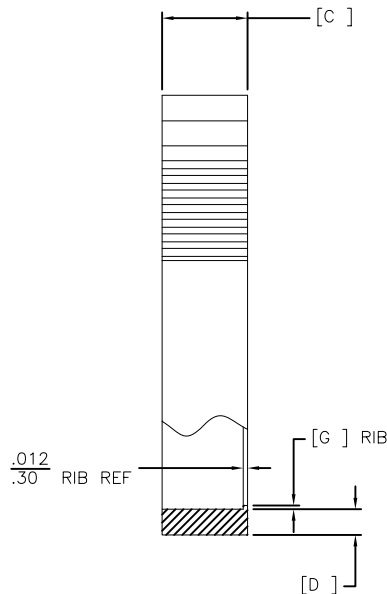
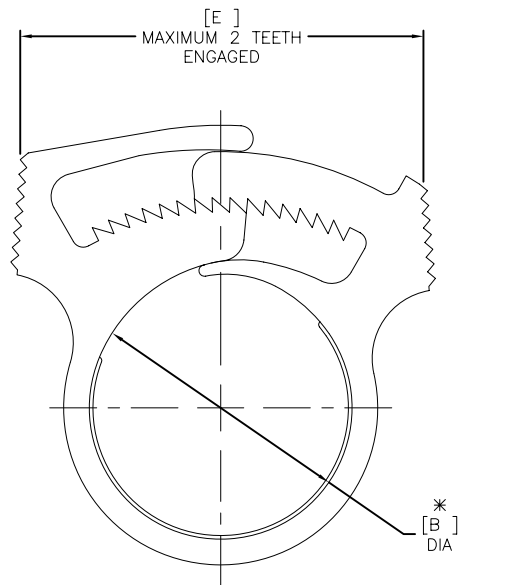
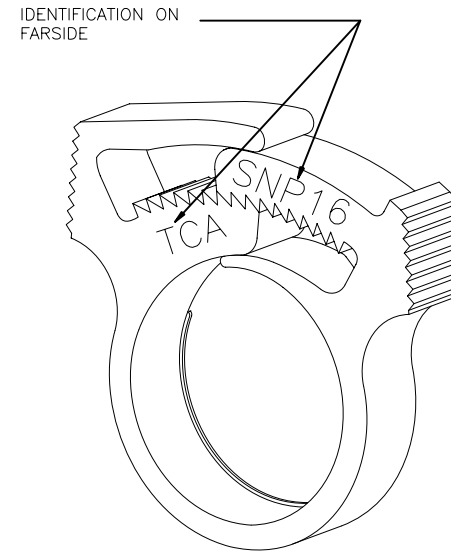
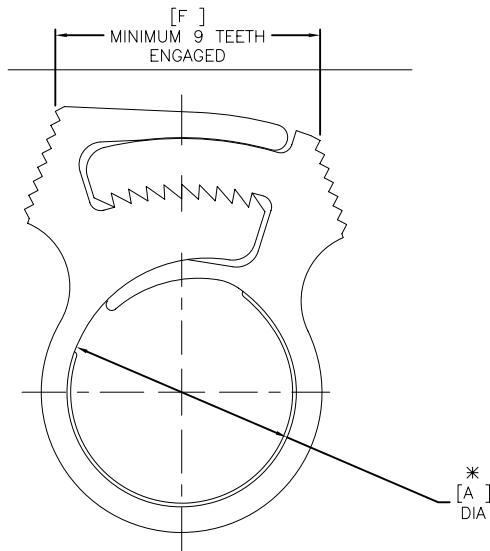
## Contact us

Tel: +86-755-8981 8866 Fax: +86-755-8427 6832

Email & Skype: info@chipsmall.com Web: www.chipsmall.com

Address: A1208, Overseas Decoration Building, #122 Zhenhua RD., Futian, Shenzhen, China





REDUCED  
NO SCALE

SNP16GHSO	NYLON 6/6 13% GLASS FILLED HEAT STABILIZED BLACK	18	IN MM	.752 19.10	.854 21.70	.228 5.80	.059 1.50	1.213 30.80	.783 19.90	.016 .40
CATALOG NUMBER	MATERIAL	NUMBER OF TEETH	DIM TOL(±)	*[A]	*[B]	[C]	[D]	[E]	[F]	[G]
				.020 .50		.010 .25			REF	

**HellermannTyton**

ALL PROPRIETARY RIGHTS IN THE SUBJECT MATTER SHOWN ON THIS DRAWING ARE EXCLUSIVE PROPERTY OF TYTONHELLERMANN

name	date	city, state

NOTES

- \* 1.) INSIDE DIAMETERS ARE MEASURED IN THREE PLACES SPACED 120° APART EXCLUDING RIB [G].
- 2.) DRAWING CREATED FROM SNP-12 DATA BASE. USE FOR DIMENSIONAL INFO. ONLY.

REVISIONS  
 level  $\Delta$   
 date 11/05/99  
 by AAM  
 ECN # 001528  
 part level A

DIMENSIONS  
 .XXXX= NOTED  
 .XX= NOTED  
 .X= NOTED  
 L= NOTED  
 unless otherwise specified  
 units inches/mm

number SEE CHART phase PRODUCTION  
 name SNAPPER 16 HOSE CLAMP  
 material SEE CHART

DRAWING  
 PASTOR C. WEAVER, L. CAD ACAD scale 4X  
 computer file number CP\CST\2016001A previous number  
 drawn A.A.M. checked K.A.C.  
 date 11/05/99 date 11/09/99  
 type CUSTOMER sheet 1 of 1  
 number CP2016001CST