



Chipsmall Limited consists of a professional team with an average of over 10 year of expertise in the distribution of electronic components. Based in Hongkong, we have already established firm and mutual-benefit business relationships with customers from,Europe,America and south Asia,supplying obsolete and hard-to-find components to meet their specific needs.

With the principle of “Quality Parts,Customers Priority,Honest Operation,and Considerate Service”,our business mainly focus on the distribution of electronic components. Line cards we deal with include Microchip,ALPS,ROHM,Xilinx,Pulse,ON,Everlight and Freescale. Main products comprise IC,Modules,Potentiometer,IC Socket,Relay,Connector.Our parts cover such applications as commercial,industrial, and automotives areas.

We are looking forward to setting up business relationship with you and hope to provide you with the best service and solution. Let us make a better world for our industry!



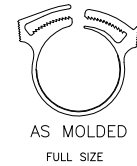
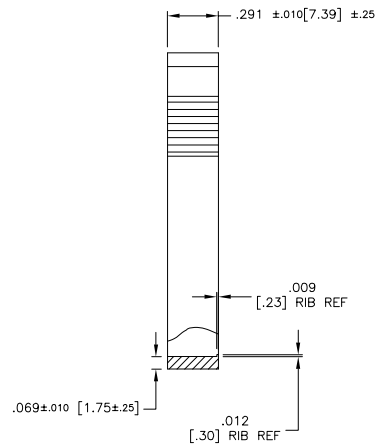
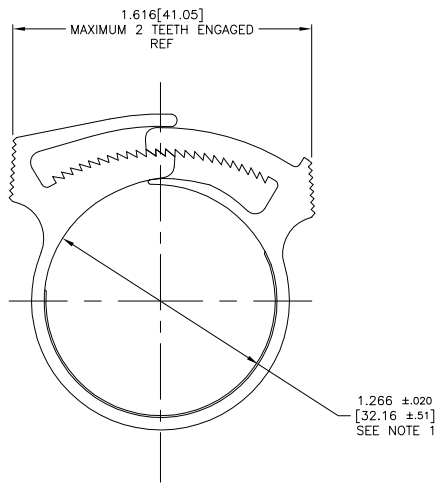
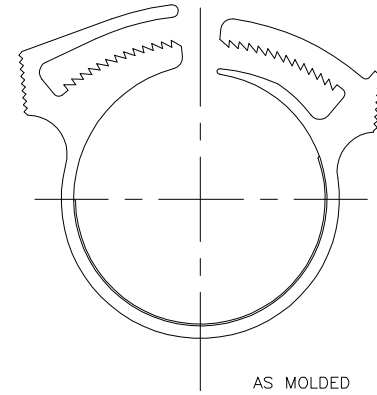
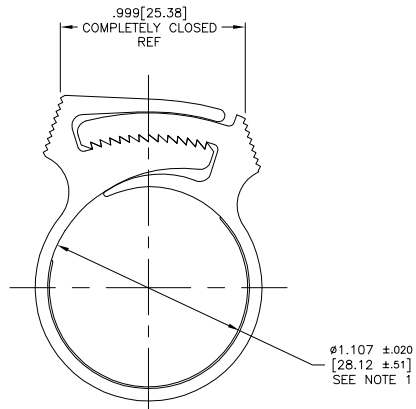
Contact us

Tel: +86-755-8981 8866 Fax: +86-755-8427 6832

Email & Skype: info@chipsmall.com Web: www.chipsmall.com

Address: A1208, Overseas Decoration Building, #122 Zhenhua RD., Futian, Shenzhen, China





REDUCED
NO SCALE

HellermannTyton

ALL PROPRIETARY RIGHTS IN THE SUBJECT MATTER SHOWN ON THIS DRAWING ARE EXCLUSIVE PROPERTY OF HELLERMANN TYTON

name	date	city, state

NOTES

NOTE:
 1. INSIDE DIAMETERS ARE MEASURED IN THREE PLACES SPACED 120° APART EXCLUDING .012 RIB.
 2. 26 TOTAL TEETH, 13 TEETH POSITIONS.

REVISION

level	01
date	04/05/07
by	AAC
ECN #	010690
part level	-

DIMENSIONS

.XXXX= .XXX= NOTED
 .XX= NOTED
 .X= .X= NOTED
 _L= .L= NOTED
 unless otherwise specified
 units inches/[mm]

PART

number	SNP2810	phase	PRODUCTION
name	SNAPPER 28 HOSE CLAMP		
material	ACETAL WHITE		

DRAWING

FORMAT C	version M	CAD	ACAD	scale	2X
computer file number	CP\cst\2028002_01				
previous number					
drawn	A.A.C.	checked	K.A.C.	approved	
date	04/04/07	date	04/04/07	approved	
type	CUSTOMER	sheet	1 of 1		
number	CP2028002CST				