



Chipsmall Limited consists of a professional team with an average of over 10 year of expertise in the distribution of electronic components. Based in Hongkong, we have already established firm and mutual-benefit business relationships with customers from,Europe,America and south Asia,supplying obsolete and hard-to-find components to meet their specific needs.

With the principle of “Quality Parts,Customers Priority,Honest Operation,and Considerate Service”,our business mainly focus on the distribution of electronic components. Line cards we deal with include Microchip,ALPS,ROHM,Xilinx,Pulse,ON,Everlight and Freescale. Main products comprise IC,Modules,Potentiometer,IC Socket,Relay,Connector.Our parts cover such applications as commercial,industrial, and automotives areas.

We are looking forward to setting up business relationship with you and hope to provide you with the best service and solution. Let us make a better world for our industry!



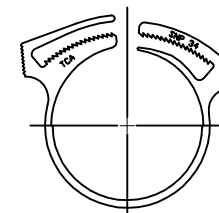
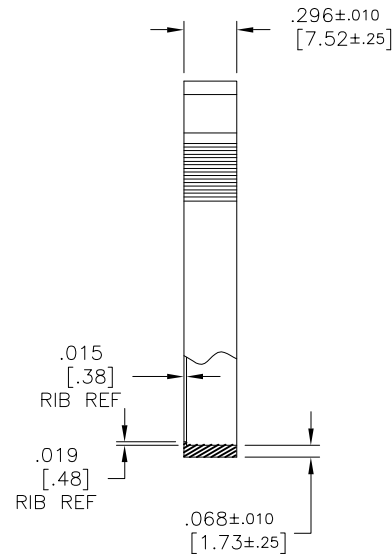
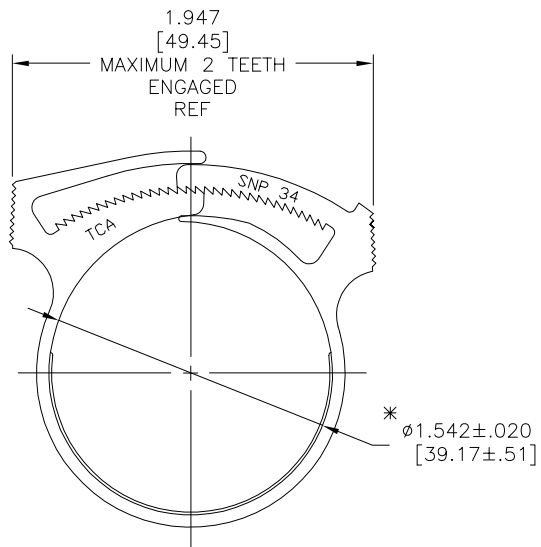
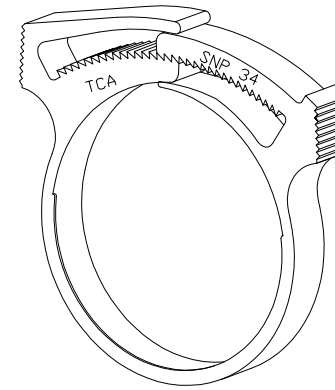
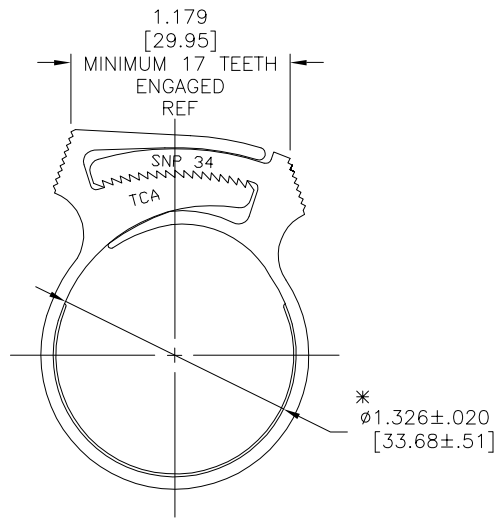
## Contact us

Tel: +86-755-8981 8866 Fax: +86-755-8427 6832

Email & Skype: info@chipsmall.com Web: www.chipsmall.com

Address: A1208, Overseas Decoration Building, #122 Zhenhua RD., Futian, Shenzhen, China





AS MOLDED  
FULL SCALE

REDUCED  
NO SCALE

NOTE:  
\* 1. INSIDE DIAMETERS ARE MEASURED IN THREE PLACES  
SPACED 120° APART EXCLUDING .015 WIDE RIB

<b>HellermannTyton</b>		
ALL PROPRIETARY RIGHTS IN THE SUBJECT MATTER SHOWN ON THIS DRAWING ARE EXCLUSIVE PROPERTY OF HELLERMANN TYTON		
name	date	city, state

NOTES

REVISION	level	01
	date	04/03/07
	by	AAC
	ECN #	010690
	part level	-

DIMENSIONS	.XXXX=	
	.XXX= NOTED	
	.XX= NOTED	
	.X=	
	∠=	
unless otherwise specified		
units		inches/[mm]

PART	number	SNP3410	phase	PRODUCTION
	name			
	SNAPPER 34 HOSE CLAMP			
	material			
	ACETAL WHITE			

DRAWING	FORMAT C	version P	CAD	ACAD	scale	2X
	computer file number		previous number			
	CP\CST\2034002_01					
	drawn	AAC	checked	KAC	approved	
	date	04/03/07	date	04/03/07	type	CUSTOMER
number	CP2034002CST					