



Chipsmall Limited consists of a professional team with an average of over 10 year of expertise in the distribution of electronic components. Based in Hongkong, we have already established firm and mutual-benefit business relationships with customers from,Europe,America and south Asia,supplying obsolete and hard-to-find components to meet their specific needs.

With the principle of “Quality Parts,Customers Priority,Honest Operation,and Considerate Service”,our business mainly focus on the distribution of electronic components. Line cards we deal with include Microchip,ALPS,ROHM,Xilinx,Pulse,ON,Everlight and Freescale. Main products comprise IC,Modules,Potentiometer,IC Socket,Relay,Connector.Our parts cover such applications as commercial,industrial, and automotives areas.

We are looking forward to setting up business relationship with you and hope to provide you with the best service and solution. Let us make a better world for our industry!



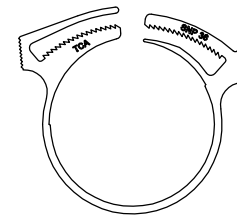
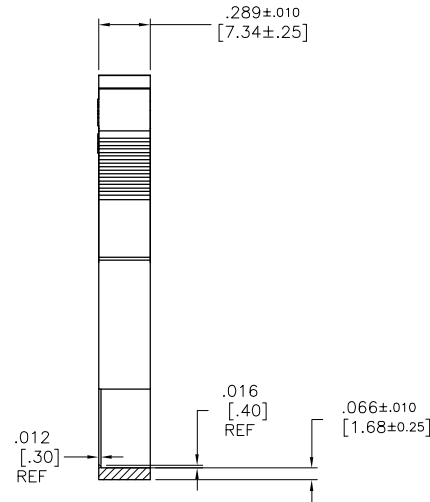
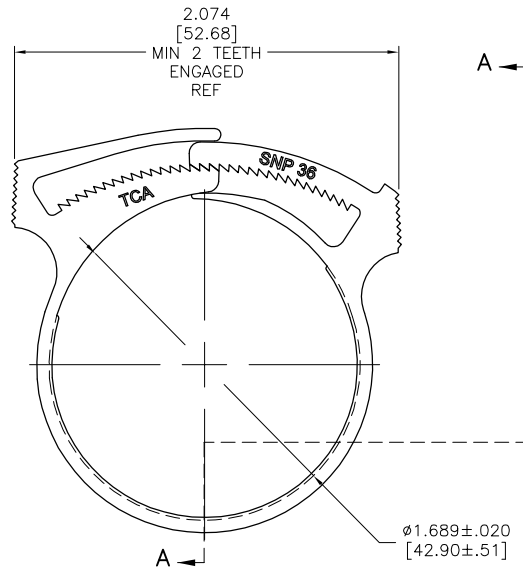
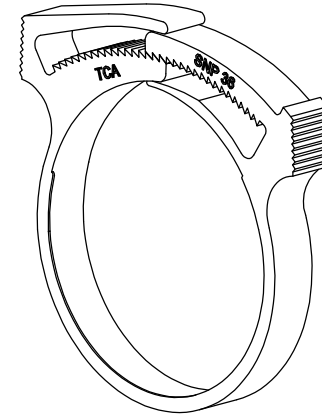
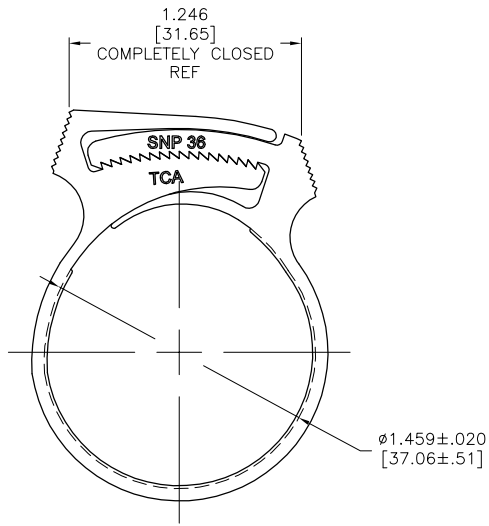
Contact us

Tel: +86-755-8981 8866 Fax: +86-755-8427 6832

Email & Skype: info@chipsmall.com Web: www.chipsmall.com

Address: A1208, Overseas Decoration Building, #122 Zhenhua RD., Futian, Shenzhen, China





AS MOLDED
FULL SCALE

REDUCED
NO SCALE

- NOTES
- 1) INSIDE DIAMETERS ARE MEASURED IN THREE PLACES SPACED 120° APART EXCLUDING .012 X .016 WIDE RIB
 - 2) 34 TOTAL TEETH, 17 TEETH POSITIONS

HellermannTyton

ALL PROPRIETARY RIGHTS IN THE SUBJECT MATTER SHOWN ON THIS DRAWING ARE EXCLUSIVE PROPERTY OF HELLERMANN TYTON

name	date	city, state

REVISIONS

level	date	by	ECN #	part level
01	04/04/07	AAC	010690	-

DIMENSIONS

.XXXX =
 .XXX = NOTED
 .XX = NOTED
 .X =
 ∠ =
 unless otherwise specified
 units inches/[mm]

PART

number	SNP3610	phase	PRODUCTION
name	SNAPPER 36 HOSE CLAMP		
material	ACETAL WHITE		

DRAWING

FORMAT	CAD	ACAD	scale
C	P		2X

computer file number	previous number
CP\CST\2036002_01	

drawn	A.A.C.	K.A.C.	approved
04/04/07	04/04/07	04/04/07	

type	CUSTOMER	sheet	1 of 1
number	CP2036002CST		