



Chipsmall Limited consists of a professional team with an average of over 10 year of expertise in the distribution of electronic components. Based in Hongkong, we have already established firm and mutual-benefit business relationships with customers from,Europe,America and south Asia,supplying obsolete and hard-to-find components to meet their specific needs.

With the principle of "Quality Parts,Customers Priority,Honest Operation,and Considerate Service",our business mainly focus on the distribution of electronic components. Line cards we deal with include Microchip,ALPS,ROHM,Xilinx,Pulse,ON,Everlight and Freescale. Main products comprise IC,Modules,Potentiometer,IC Socket,Relay,Connector.Our parts cover such applications as commercial,industrial, and automotives areas.

We are looking forward to setting up business relationship with you and hope to provide you with the best service and solution. Let us make a better world for our industry!



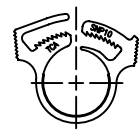
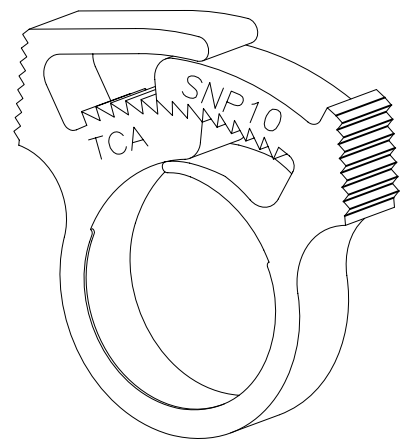
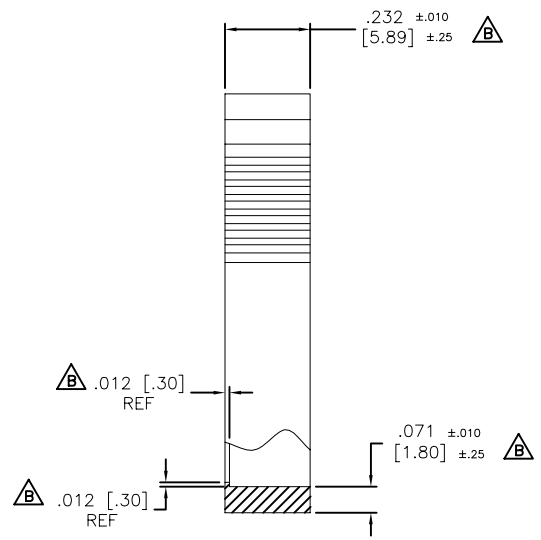
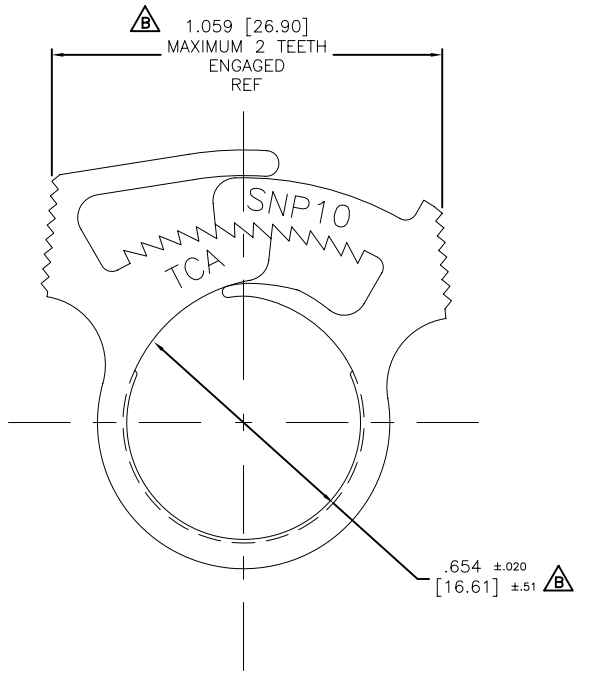
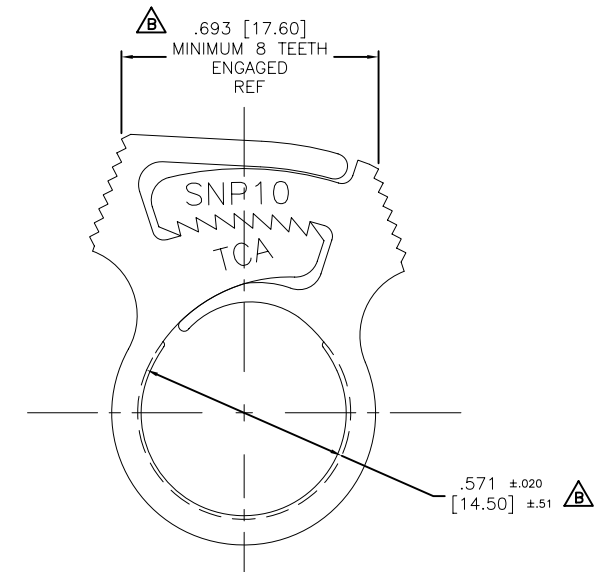
Contact us

Tel: +86-755-8981 8866 Fax: +86-755-8427 6832

Email & Skype: info@chipsmall.com Web: www.chipsmall.com

Address: A1208, Overseas Decoration Building, #122 Zhenhua RD., Futian, Shenzhen, China





AS MOLDED
FULL SIZE

REDUCED
NO SCALE

INVENTORS

HellermannTyton.

ALL PROPRIETARY RIGHTS IN THE SUBJECT MATTER SHOWN ON THIS DRAWING ARE EXCLUSIVE PROPERTY OF HELLERMANN TYTON

name	date	city, state

NOTES

NOTE:
* 1. INSIDE DIAMETERS ARE MEASURED IN THREE PLACES SPACED 120° APART EXCLUDING .012 WIDE RIB

* CLAMP RANGE

POSITION	EFFECTIVE TOOTH ENGAGEMENT	DIAMETER
MINIMUM	- 8 -	.571 [14.50]
NOMINAL	- 5 -	.613 [15.57]
MAXIMUM	- 2 -	.654 [16.61]

CHANGE IN DIA./TOOTH = .0138 [.351]

REVISION level **B**
date 08/15/00
by AAM
ECN # 002069
part level -

DIMENSIONS
TOLERANCES
.XXXX= .XXX= NOTED
.XX= .X= .L= unless otherwise specified
units inches

PART

number	SNP10GHS	phase	PRODUCTION
name	SNAPPER 10 HOSE CLAMP		
material	NYLON 6/6 13% GLASS FILLED HEAT STABILIZED BLACK		

FORM C issue L	010	ACAD	scale	4X
computer file number	CP\CST\2010001B	previous number	CP\CST\2010001A	
date	02/27/92	by	M.E.F.	approved
type	CUSTOMER	sheet	1 of 1	
number	CP2010001CST			