



Chipsmall Limited consists of a professional team with an average of over 10 year of expertise in the distribution of electronic components. Based in Hongkong, we have already established firm and mutual-benefit business relationships with customers from,Europe,America and south Asia,supplying obsolete and hard-to-find components to meet their specific needs.

With the principle of “Quality Parts,Customers Priority,Honest Operation,and Considerate Service”,our business mainly focus on the distribution of electronic components. Line cards we deal with include Microchip,ALPS,ROHM,Xilinx,Pulse,ON,Everlight and Freescale. Main products comprise IC,Modules,Potentiometer,IC Socket,Relay,Connector.Our parts cover such applications as commercial,industrial, and automotives areas.

We are looking forward to setting up business relationship with you and hope to provide you with the best service and solution. Let us make a better world for our industry!



Contact us

Tel: +86-755-8981 8866 Fax: +86-755-8427 6832

Email & Skype: info@chipsmall.com Web: www.chipsmall.com

Address: A1208, Overseas Decoration Building, #122 Zhenhua RD., Futian, Shenzhen, China





Mallory Sonalert Products, Inc.

Part #:

SNP428R

Sales Outline Drawing

Revision:

B

Specifications:

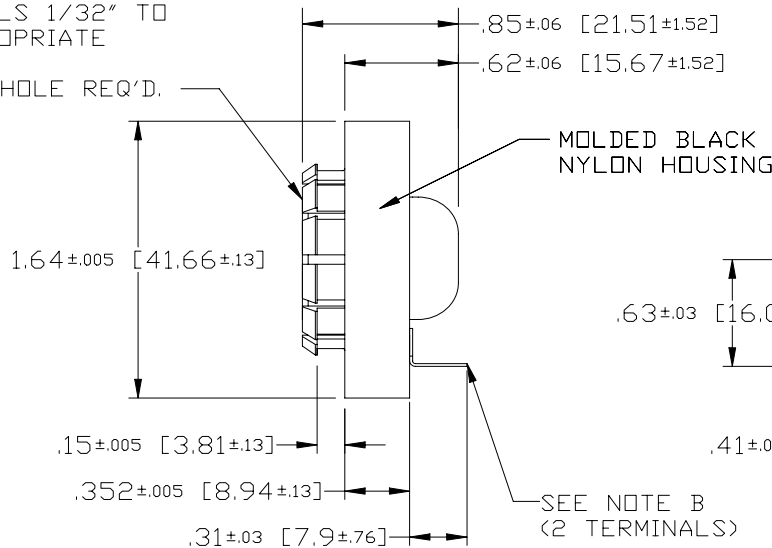
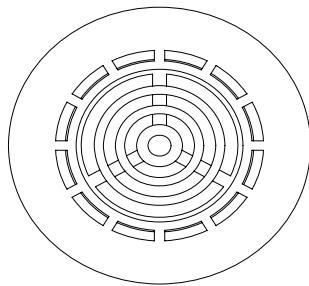
Sound Level Category	Medium
Mode of Operation	Continuous
Voltage Rating	4 to 28 VDC
Frequency	2900 ± 500 Hz
Loudness @ 2 FT	69 to 83 Typ.
Current Draw	3-18 mA
Housing Material	6/6 Nylon, Color: Black
Storage Temperature	-40° to +85° C
Operating Temperature	-30° to +65° C
Panel Mounting	Recommended hole size is 1.25"(31.75mm). Thread front will fit standard 30mm(1.181") hole.
Weight (Typical)	0.5 oz (17g)
Options	Please contact factory.

Dimensions: Inches (mm)

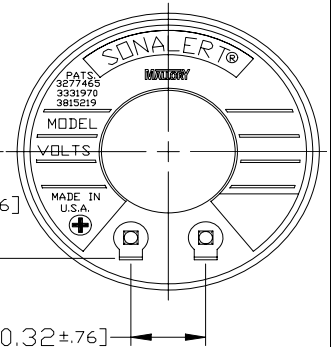
cUL Recognized

ROHS Compliant

NOTE A:
MOUNTING - THIS PORTION
SNAP-LOCKS INTO PANELS 1/32" TO
1/8" THICK USING APPROPRIATE
COMPRESSION WASHER.
1.063 ±.005 DIA. PANEL HOLE REQ'D.



SEE NOTE B
(2 TERMINALS)



NOTE B:
TERMINALS - .016 BRASS, HOT TIN FINISH WITH
.076 WIRE HOLE. TERMINAL WILL ACCEPT
STANDARD 1/8" QUICK CONNECT