



Chipsmall Limited consists of a professional team with an average of over 10 year of expertise in the distribution of electronic components. Based in Hongkong, we have already established firm and mutual-benefit business relationships with customers from,Europe,America and south Asia,supplying obsolete and hard-to-find components to meet their specific needs.

With the principle of “Quality Parts,Customers Priority,Honest Operation,and Considerate Service”,our business mainly focus on the distribution of electronic components. Line cards we deal with include Microchip,ALPS,ROHM,Xilinx,Pulse,ON,Everlight and Freescale. Main products comprise IC,Modules,Potentiometer,IC Socket,Relay,Connector.Our parts cover such applications as commercial,industrial, and automotives areas.

We are looking forward to setting up business relationship with you and hope to provide you with the best service and solution. Let us make a better world for our industry!



## Contact us

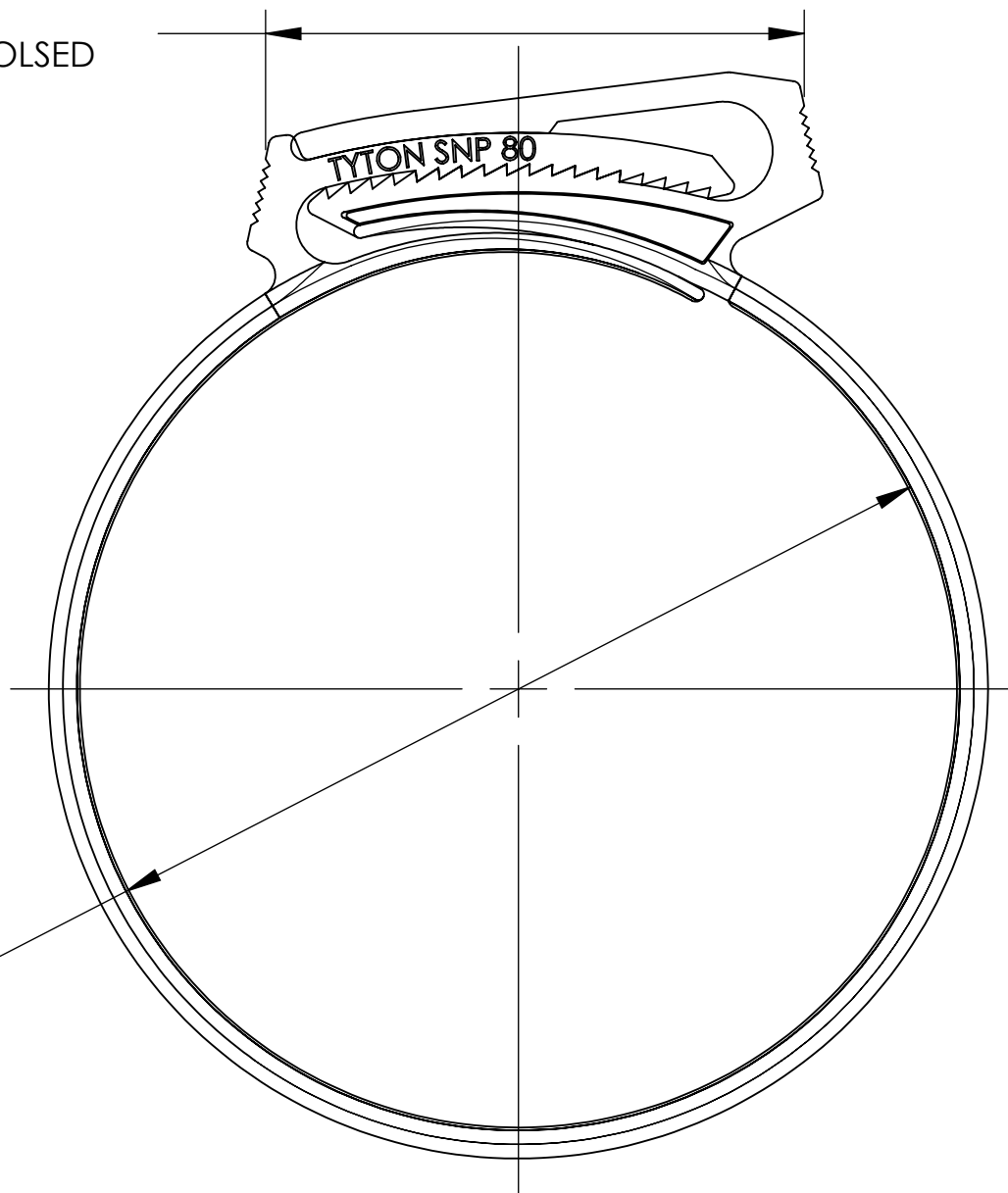
Tel: +86-755-8981 8866 Fax: +86-755-8427 6832

Email & Skype: info@chipsmall.com Web: www.chipsmall.com

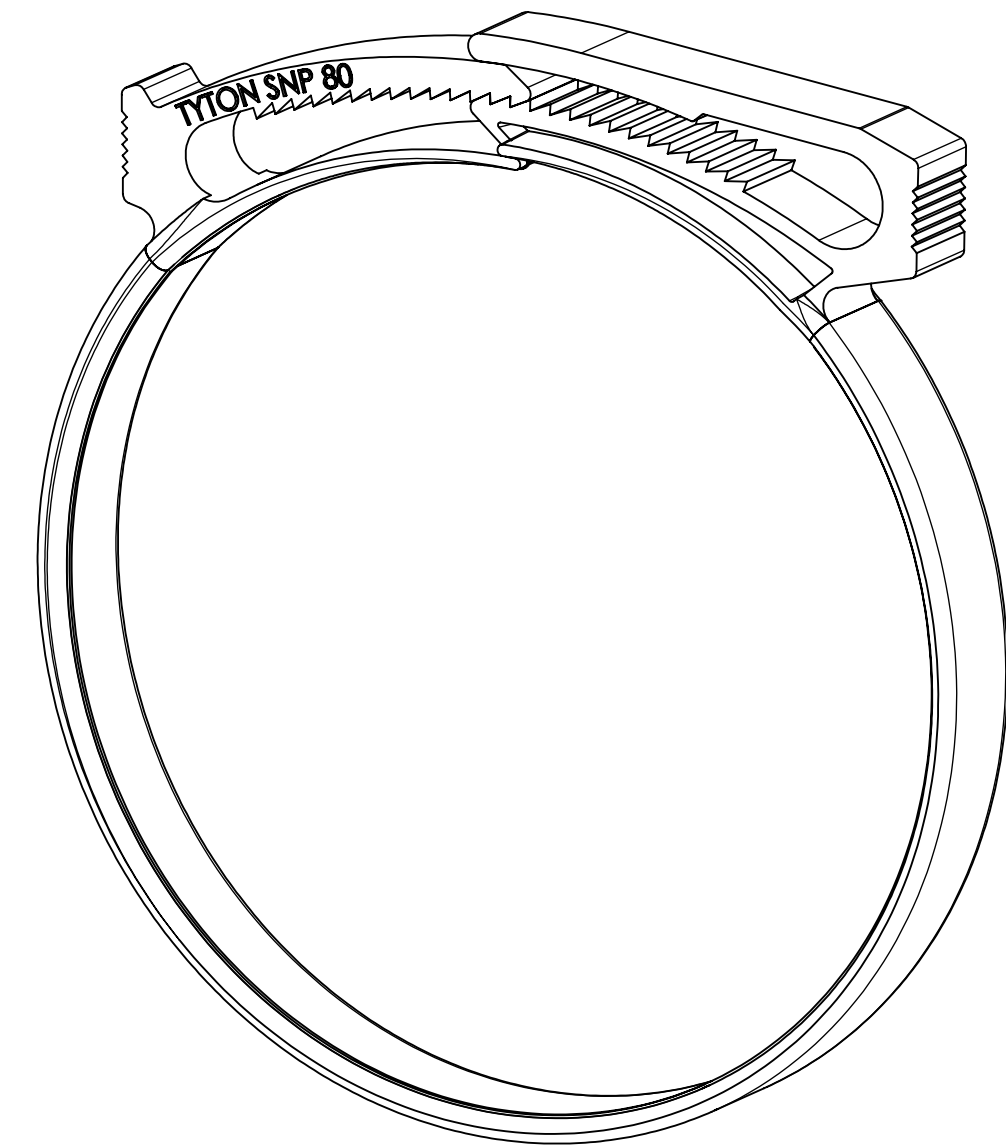
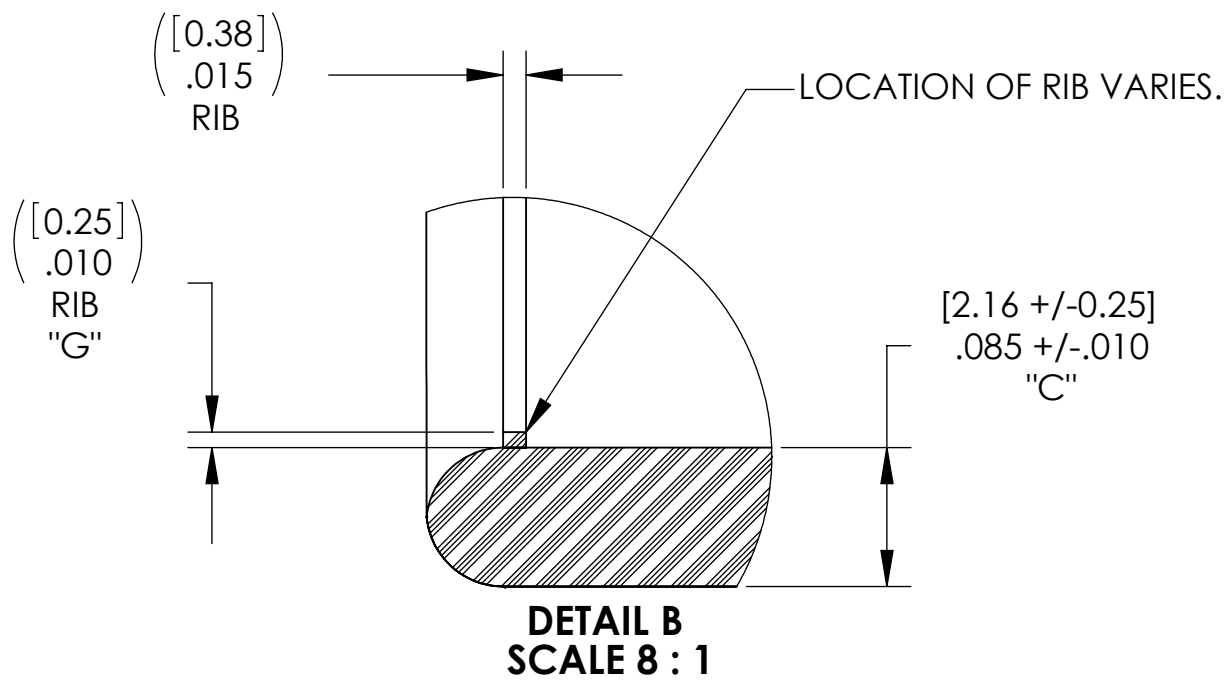
Address: A1208, Overseas Decoration Building, #122 Zhenhua RD., Futian, Shenzhen, China



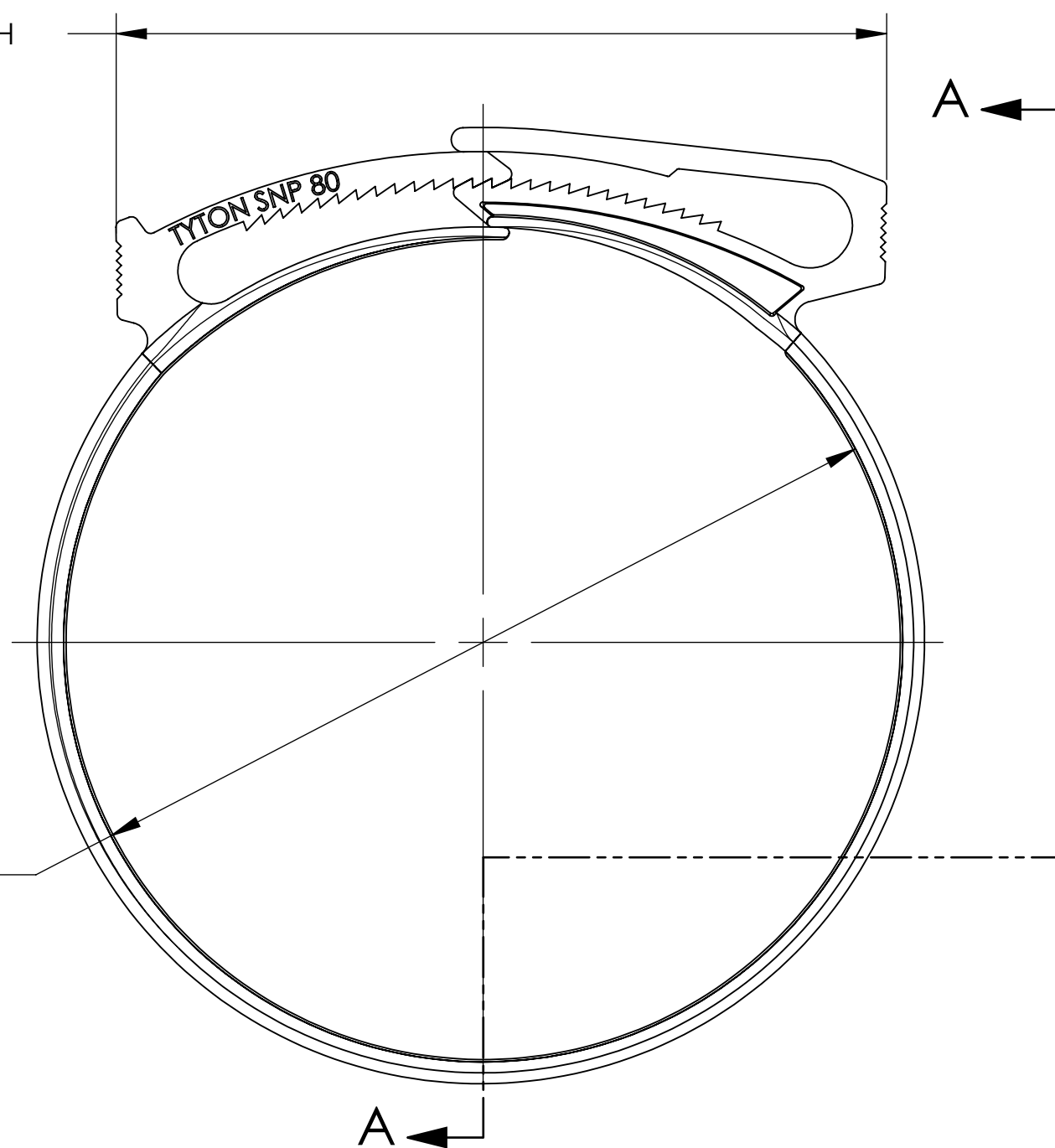
( [47.45] )  
1.868  
COMPLETELY COLSED  
"B"



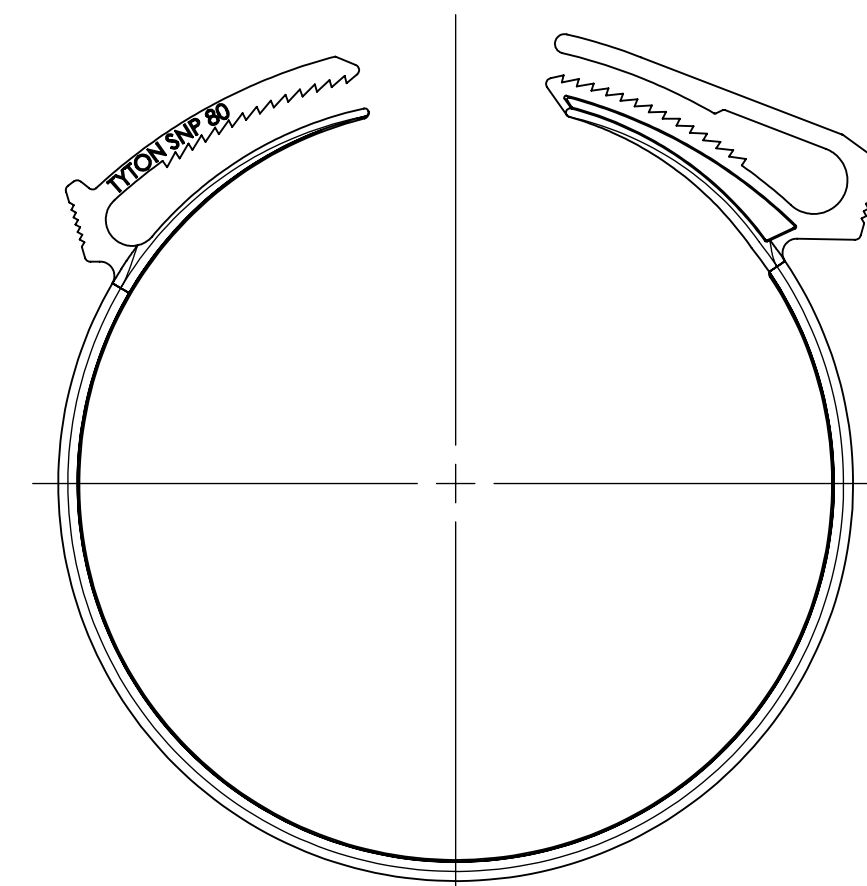
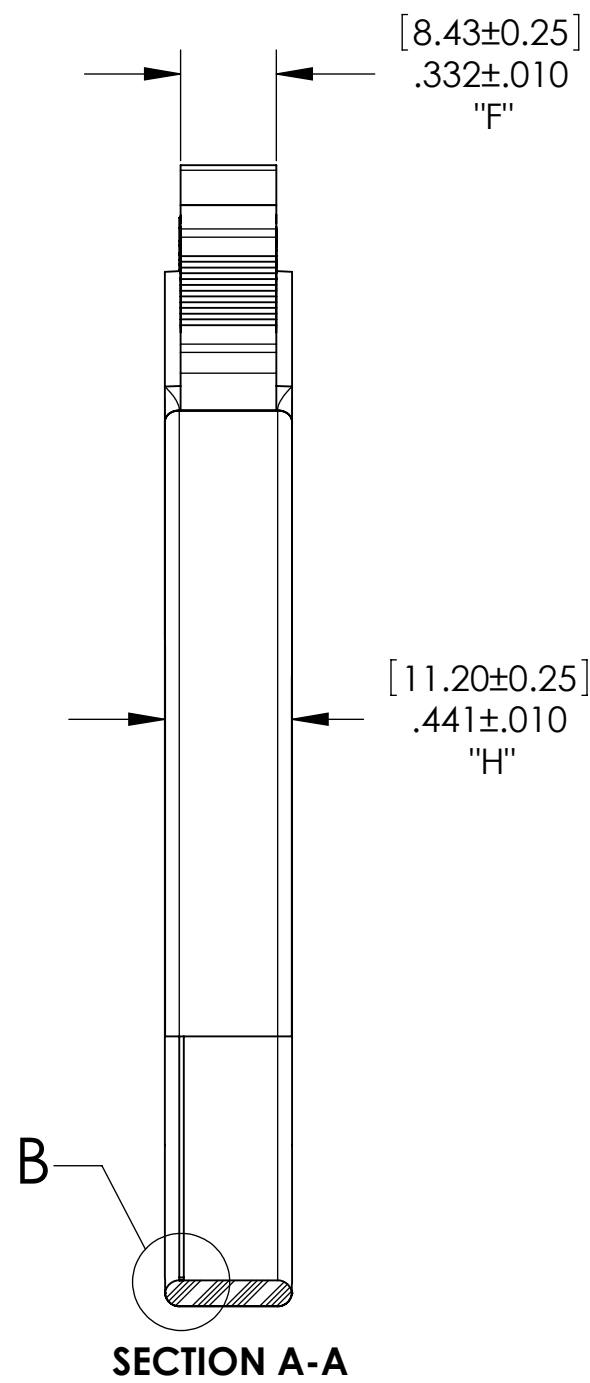
[79.40±0.51]  
Ø3.126±.020  
SEE NOTE 1  
"D"



( [78.66] )  
3.097  
MAXIMUM 2 TEETH  
ENGAGED  
"A"



[88.32±0.51]  
Ø3.477±.020  
SEE NOTE 1  
"E"



**AS MOLDED**  
FULL SCALE

INVENTORS

**HellermannTyton.**

ALL PROPRIETARY RIGHTS IN THE SUBJECT MATTER SHOWN ON THIS DRAWING ARE EXCLUSIVE PROPERTY OF HELLERMANN TYTON

name date city, state

NOTES

- 1) INSIDE DIAMETERS ARE MEASURED IN THREE PLACES SPACED 120 DEGREES APART EXCLUDING RIB.
- 2) 28 TOTAL TEETH, 18 TEETH POSITIONS.

REVISIONS

DR level	01
AW by	K.A.C.
ING date	10/29/2003
GN ECN #	004150
part level	-

DIMENSIONS

.XXXX = [±.013]/±.0005  
.XXX = [±.13]/±.005  
.XX = [±.3]/±.01  
.X = [±.8]/±.03  
∠ = ±0.5°  
unless otherwise specified  
units [mm]/inches

PART

number	SNP80_	phase	Production
name			
SNP80 HOSE CLAMP			
material			
ACETAL			

DRAWING

format	C	SW 2004	scale	1.5:1
version N	CAD			
computer file name	CP2080002CST_01	previous drawing number		
drawn	K.A.C.	checked	K.A.C.	approved
10/29/2003		10/31/03		
type	Customer	sheet	1 of 1	
number	CP2080002CST			