



Chipsmall Limited consists of a professional team with an average of over 10 year of expertise in the distribution of electronic components. Based in Hongkong, we have already established firm and mutual-benefit business relationships with customers from,Europe,America and south Asia,supplying obsolete and hard-to-find components to meet their specific needs.

With the principle of “Quality Parts,Customers Priority,Honest Operation,and Considerate Service”,our business mainly focus on the distribution of electronic components. Line cards we deal with include Microchip,ALPS,ROHM,Xilinx,Pulse,ON,Everlight and Freescale. Main products comprise IC,Modules,Potentiometer,IC Socket,Relay,Connector.Our parts cover such applications as commercial,industrial, and automotives areas.

We are looking forward to setting up business relationship with you and hope to provide you with the best service and solution. Let us make a better world for our industry!



Contact us

Tel: +86-755-8981 8866 Fax: +86-755-8427 6832

Email & Skype: info@chipsmall.com Web: www.chipsmall.com

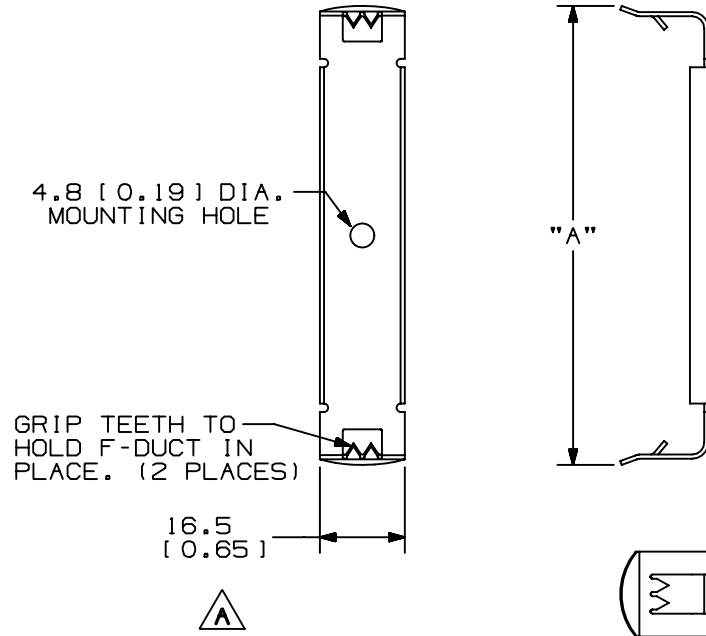
Address: A1208, Overseas Decoration Building, #122 Zhenhua RD., Futian, Shenzhen, China



THIS COPY IS PROVIDED ON A RESTRICTED BASIS AND IS NOT TO BE USED IN ANY WAY DETRIMENTAL TO THE INTERESTS OF PANDUIT CORP.



PANDUIT PART NO. *	DUCT WIDTH APPLIED TO	"A"	WEIGHT PER 100 PIECES
SNS25F-C	25 [.98]	31.2 [1.23]	488 g [1.1 lb]
SNS37F-C	37.5 [1.48]	43.7 [1.72]	660 g [1.5 lb]
SNS50F-C	50 [1.97]	56.2 [2.21]	835 g [1.8 lb]
SNS62F-C	62.5 [2.46]	68.7 [2.70]	1009 g [2.2 lb]
SNS75F-C	75 2.95	81.2 [3.20]	1183 g [2.6 lb]



NOTES:

- * 1. SEE CURRENT CATALOG FOR ADDITIONAL INFORMATION.
- 2. ALL DIMENSIONS ARE IN MILLIMETERS (INCHES).



CAD FILENAME/LAYERS D34301_MET_F_CLIPS_01C.prt

PANDUIT CORP. TINLEY PARK, ILLINOIS

WIRING DUCT SNAP CLIP MOUNTING BRACKET (METRIC) - SNS25F, SNS37F, SNS50F, SNS62F, & SNS75F CUSTOMER DRAWING

UNLESS OTHERWISE SPECIFIED, DIMENSIONAL TOLERANCES ARE:
 (.X) ± .80 [.03] (.XXX) ±
 (.XX) ± .50 [.02] ANGLES ±

UNLESS OTHERWISE SPECIFIED, ALL DIMENSIONS ARE GIVEN IN INCHES, THIRD ANGLE PROJECTION.

DRAWN BY DW	MAT'L: 21 GA C.R.S.	SCALE NONE
DATE 5/7/93		DRAWING NO. 34301-08
CHK'D KRKE		DWG SIZE A

REV	DATE	BY	CHK	DESCRIPTION	ECN	CHK	CUST	SUP
3	3/9/05	JCST	HIW	E. MODIFIED NOTE D. MODIFIED CHART	34301-08	HIW	HIW	
2	4/13/04	JCST	JKG	C. MODIFIED CHART B. MODIFIED TITLE	34301-08	HIW	HIW	
1	9/11/01	JCST	JKG	A. DUAL DIMENSIONED	34301-08	JKG	JKG	
R	5/7/93	DW	KRKE	RELEASED TO PRODUCTION	34301-08	CEF	CEF	