



Chipsmall Limited consists of a professional team with an average of over 10 year of expertise in the distribution of electronic components. Based in Hongkong, we have already established firm and mutual-benefit business relationships with customers from,Europe,America and south Asia,supplying obsolete and hard-to-find components to meet their specific needs.

With the principle of "Quality Parts,Customers Priority,Honest Operation,and Considerate Service",our business mainly focus on the distribution of electronic components. Line cards we deal with include Microchip,ALPS,ROHM,Xilinx,Pulse,ON,Everlight and Freescale. Main products comprise IC,Modules,Potentiometer,IC Socket,Relay,Connector.Our parts cover such applications as commercial,industrial, and automotives areas.

We are looking forward to setting up business relationship with you and hope to provide you with the best service and solution. Let us make a better world for our industry!



Contact us

Tel: +86-755-8981 8866 Fax: +86-755-8427 6832

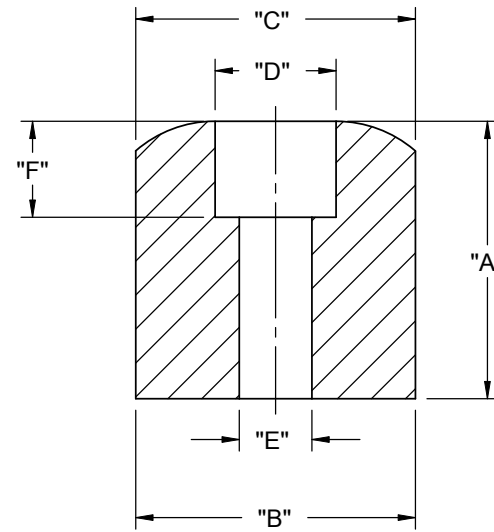
Email & Skype: info@chipsmall.com Web: www.chipsmall.com

Address: A1208, Overseas Decoration Building, #122 Zhenhua RD., Futian, Shenzhen, China

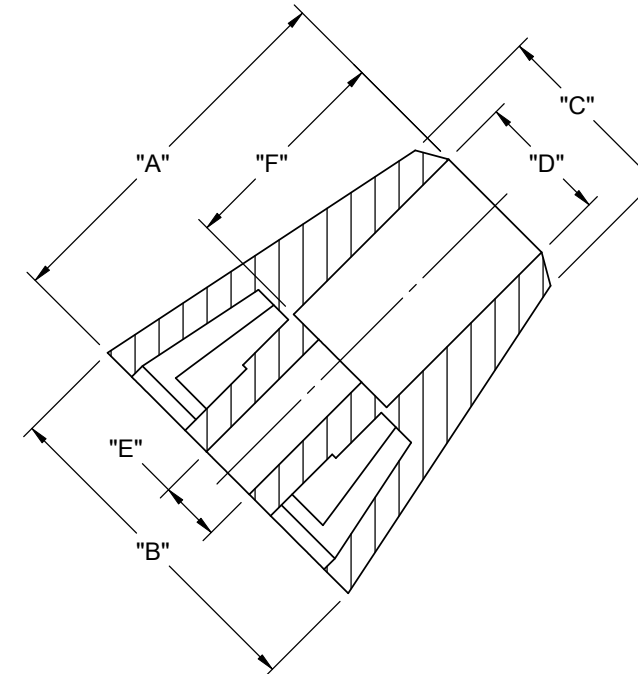




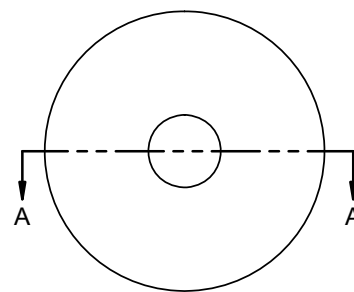
PART NO.	"A"	DIA. "B"	DIA. "C" REF	DIA. "D"	DIA. "E"	"F"	STYLE
SOF-15129	7.1 [.28]	15.9 [.63]	13.8 [.54]	8 [.31]	3.2 [.13]	4 [.16]	1
SOF-15140	9.5 [.37]	17.5 [.69]	--	8 [.31]	4 [.16]	5.2 [.20]	2
SOF-15125	11.5 [.45]	19.1 [.75]	18 [.71]	10.2 [.40]	5 [.20]	6.35 [.25]	1
SOF-15111	15.25 [.60]	19 [.75]	12.7 [.50]	8 [.31]	4 [.16]	4.8 [.19]	2
SOF-15127	18.35 [.72]	18.5 [.73]	---	8 [.31]	4.8 [.19]	6.35 [.25]	1
SOF-15126	25 [.98]	22.5 [.89]	12.7 [.50]	8.7 [.34]	4 [.16]	14.5 [.57]	2



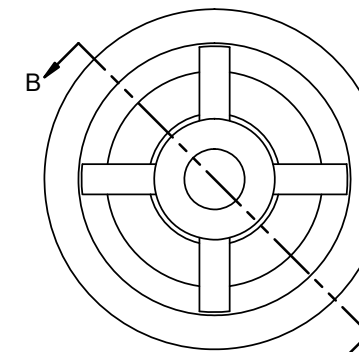
SECTION A-A
SCALE 2 : 1



SECTION B-B
SCALE 2 : 1



STYLE 1



STYLE 2

NOTES:
 1. MATERIAL: NEOPRENE RUBBER (RMS-190)
 2. COLOR: BLACK
 3. ALTERNATE UNITS FOR REFERENCE ONLY

REV.	DESCRIPTION	ENGR.	DATE
I	SEE CO 200330 FOR CHANGES	SK	02/20/09
H	SEE ECN #1298 FOR CHANGES	SK	03/16/07
G	SEE ECN #1294 FOR CHANGES	SK	03/07/07
F	SEE ECN #1257 FOR CHANGES	SK	12/05/06
E	REDRAWN, SEE ECN #1225 FOR CHANGES	SK	09/28/06

TITLE: SCREW ON FEET		DWG IN mm [IN]		FINAL	
CREATED USING SOLIDWORKS	FILE #: SOF	DWN: SK	APP: SK	PART #	
GENERAL TOLERANCE UNLESS OTHERWISE NOTED ±0.25 ANG.=±1°	SHEET: 1 OF 1 SHEET SIZE: B	DT: 08/31/06	CHKD: D.J.Z.	SEE TABLE	
RE: RICHCO, INC.		RICHCO, INC. ENG@RICHCO-INC.COM (773) 539-4060		PRINT TYPE CA	