



Chipsmall Limited consists of a professional team with an average of over 10 year of expertise in the distribution of electronic components. Based in Hongkong, we have already established firm and mutual-benefit business relationships with customers from,Europe,America and south Asia,supplying obsolete and hard-to-find components to meet their specific needs.

With the principle of “Quality Parts,Customers Priority,Honest Operation,and Considerate Service”,our business mainly focus on the distribution of electronic components. Line cards we deal with include Microchip,ALPS,ROHM,Xilinx,Pulse,ON,Everlight and Freescale. Main products comprise IC,Modules,Potentiometer,IC Socket,Relay,Connector.Our parts cover such applications as commercial,industrial, and automotives areas.

We are looking forward to setting up business relationship with you and hope to provide you with the best service and solution. Let us make a better world for our industry!



Contact us

Tel: +86-755-8981 8866 Fax: +86-755-8427 6832

Email & Skype: info@chipsmall.com Web: www.chipsmall.com

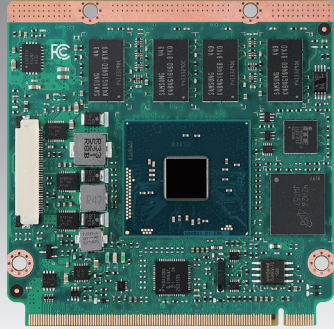
Address: A1208, Overseas Decoration Building, #122 Zhenhua RD., Futian, Shenzhen, China



SOM-3568

Intel® Pentium®/Celeron® N3000 Series and Atom Series QSeven CPU Module

NEW



Features

- Intel® Pentium®/Celeron® N3000 Series and Atom™ SoC
- Qseven® 2.1 Specification
- Onboard DDR3L up to 8GB, onboard eMMC up to 32GB
- Support HEVC/H.265, H.264 MPEG2 HW Decode
- GbE, 3 PCIe1, 2 USB3.0, 5 USB2.0
- Supports iManager, and Embedded Software APIs

Software APIs:

- Watchdog
- I²C
- SMBus
- H/W Monitor
- GPIO
- Brightness Control

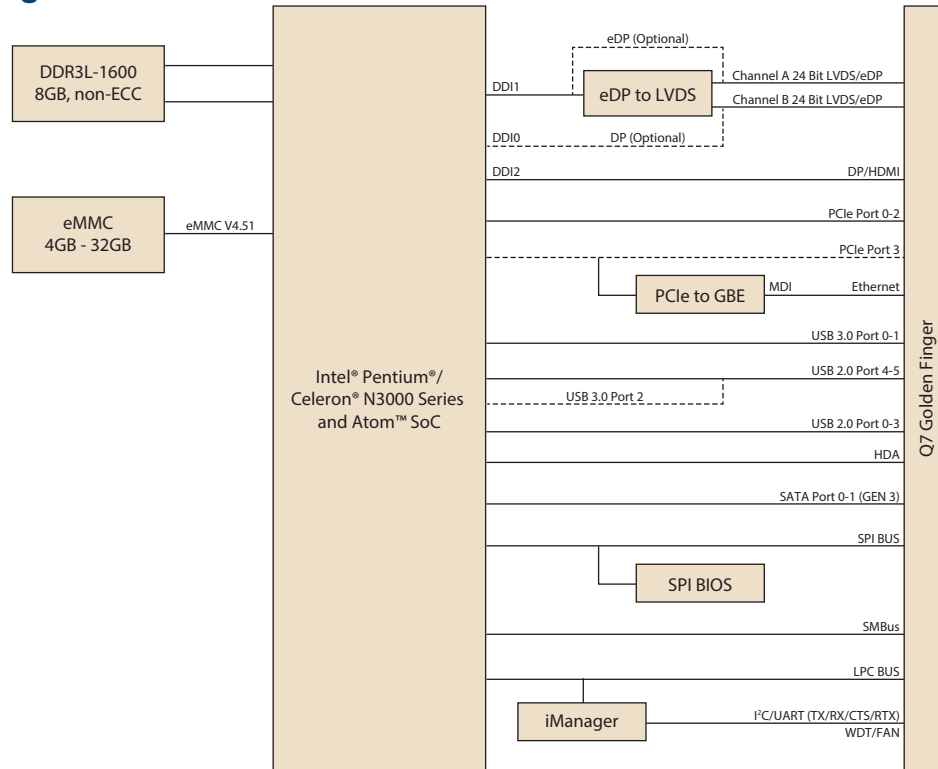
Utilities:

- BIOS flash
- Monitoring
- Embedded Security ID

Specifications

Compliance	Form-Factor	QSeven 70 x 70 mm				
	Pin-out Type	QSeven R2.1				
Platform	Processor	Pentium® N3710	Celeron® N3160	Celeron® N3060	Celeron® N3010	Atom™ X5-E8000
	Base Frequency	1.6GHz	1.6GHz	1.6GHz	1.04GHz	1.04GHz
	Burst Frequency	2.56GHz	2.24GHz	2.48GHz	2.24GHz	2GHz
	Core/Tread	4/4	4/4	2/2	2/2	4/4
	LLC	2MB	2MB	2MB	2MB	2MB
	CPU TDP	6W	6W	6W	4W	5W
	Chipset	N/A				
Memory	BIOS	AMI UEFI BIOS @ 64Mb				
	Technology	DDR3L-1600				
	ECC Support	Not support				
	Channel/Socket	Dual Channel / Onboard Memory				
Graphics	Max. Capacity	Up to 8GB				
	Controller	Intel® HD Graphics				
	Base/Turbo Freq.	400/700MHz	320/640MHz	320/600MHz	320/600MHz	320/320MHz
	Graphics Memory	TBD				
Display	3D/HW Acceleration	DX 11.1, OpenGL 4.2, OpenGL ES 3.0, OpenCL 1.2, HW Decode: HEVC (H.265) @ L5, H.264 @ 5.2, MPEG2, MVC, VC-1, WMV9, JPEG/MJPEG, VP8 HW Encode: H.264 @ 5.1, MVC, JPEG/MJPEG				
	LCD	LVDS: Dual channel 18/24-bit, up to 1920 x 1200 Optional eDP 1.4: Up to 2560 x 1440 @ 60Hz 24bpp 1 DDI port supports HDMI/DP/DVI				
	DDI	HDMI 1.4b: up to 3840 x 2160 @ 30Hz or 2560 x 1600 @ 60Hz, 24bpp DP 1.1a: up to 3840 x 2160 @ 30Hz or 2560 x 1600 @ 60Hz, 24bpp DVI: up to 1920 x 1200 @ 60Hz				
Expansion	Multiple Display	Triple independent display				
	PCI Express x1	3 PCIe1 (option 1 PCIe4 without LAN)				
	Audio Interface	HD Audio				
Serial Bus	LPC	Yes				
	SMBus	Yes				
Ethernet	I ² C Bus	Yes				
	Controller	Intel® i211AT				
Onboard Storage	Speed	10/100/1000 Mbps				
	eMMC/SATA SSD	eMMC4.51, 4GB to 32GB				
I/O	SATA	2 Ports, Support Gen3.1 (6Gb/s) and Gen2 (3 Gb/s) or Gen 1(1.5 Gb/s)				
	USB3.0	2 Ports				
	USB2.0	5 Ports				
	USB Client	N/A				
	SPI Bus	Support SPI BIOS EEPROM				
	GPIO	N/A				
	SDIO/SDXC	N/A				
	Watchdog	65536 level, 0 ~ 65535 sec				
	COM Port	4-wire COM 2 Ports; optional mux with GPIO 8-bit				
	TPM	N/A				
	MIPI-CSI	N/A				
	CAN Bus	N/A				
	Smart Fan	1 Ports				
Power	Type	ATX: Vin, VSB, AT: Vin				
	Supply Voltage	Vin: 5V±5%, VSB: 5V±5%, RTC Battery: 2.0-3.3V				
	Power Consumption	TBD				
Environment	Temperature	0 ~ 60° C (32 ~ 140° F)				
	Humidity	Operating: 40° C @ 95% relative humidity, non-condensing Storage: 60° C @ 95%relative humidity, non-condensing				
	Vibration Resistance	3.5 Grms				
Mechanical	Dimensions	70 x 70 mm (2.75" x 2.75")				

Block Diagram



Ordering Information

Part No.	SoC	Base Freq. / Burst Freq.	Core	LLC	CPU TDP	Onboard Memory	Onboard Flash	Thermal Solution	Operating Temperature
SOM-3568CMBC-S6A1E	Intel® Pentium® N3710	1.6GHz / 2.56GHz	4	2MB	6W	4GB	MLC 32GB	Passive	0 ~ 60° C
SOM-3568BM0C-S6A1E	Intel® Celeron® N3160	1.6GHz / 2.24GHz	4	2MB	6W	2GB	N/A	Passive	0 ~ 60° C
SOM-3568BM0C-S5A1E	Intel® Celeron® N3060	1.6GHz / 2.48GHz	2	2MB	6W	2GB	N/A	Passive	0 ~ 60° C
SOM-3568BM0C-S0A1E	Intel® Celeron® N3010	1.04GHz / 2.24GHz	2	2MB	4W	2GB	N/A	Passive	0 ~ 60° C
SOM-3568BM0C-S1A1E	Intel® Atom™ X5-E8000	1.04GHz / 2GHz	4	2MB	5W	2GB	N/A	Passive	0 ~ 60° C

Packing List

Part No.	Description	Quantity
-	SOM-3568 CPU Module	1
1960075743N001	Heatspreader	1

Development Board

Part No.	Description
SOM-DB3520-00A1E	Qseven Development Board

Optional Accessories

Part No.	Description
1960061089N001	Heatsink I- 70x63x34-SC
96LEDK-A084SV45NB2	8.4" LED PANEL 450N 800X600(G) G084SN05 V9(V901)
96CB-L2040PAB4	LVDS CABLE 20-40PIN 50CM AB4 TYPE(G) (18BIT)
96CB-E0405PIB3	LED CABLE 4-5PIN 50CM IB3 TYPE(G)
IDK-2121WN-K2FHA2E	21.5" LED panel 1200N 1920x1080(G)
96CB-L3040PAF5	LVDS CABLE 30-40PIN 50CM AF5 TYPE(G)
96CB-E0605HAB1	LED CABLE 6-5PIN 50CM AB1 TYPE(G)

Embedded OS

OS	Part No.	Description
Win 10Ent	2070014542	img Win10Ent SOM-3568 X64 Eng
WE8.1 IndustryPro	2070014543	img WE8.1 IndustryPro SOM-3568 X64 Eng