



Chipsmall Limited consists of a professional team with an average of over 10 year of expertise in the distribution of electronic components. Based in Hongkong, we have already established firm and mutual-benefit business relationships with customers from,Europe,America and south Asia,supplying obsolete and hard-to-find components to meet their specific needs.

With the principle of “Quality Parts,Customers Priority,Honest Operation,and Considerate Service”,our business mainly focus on the distribution of electronic components. Line cards we deal with include Microchip,ALPS,ROHM,Xilinx,Pulse,ON,Everlight and Freescale. Main products comprise IC,Modules,Potentiometer,IC Socket,Relay,Connector.Our parts cover such applications as commercial,industrial, and automotives areas.

We are looking forward to setting up business relationship with you and hope to provide you with the best service and solution. Let us make a better world for our industry!



## Contact us

Tel: +86-755-8981 8866 Fax: +86-755-8427 6832

Email & Skype: info@chipsmall.com Web: www.chipsmall.com

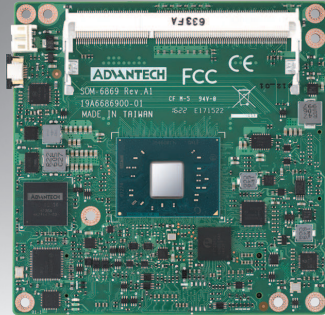
Address: A1208, Overseas Decoration Building, #122 Zhenhua RD., Futian, Shenzhen, China



# SOM-6869

## Intel® Atom™ E3900 & Pentium™ and Celeron™ N Series Processors COM-Express Compact Module

Preliminary



### Features

- COM R2.1 Type 6 Compact Module
- Intel® Atom™ E3900 & Pentium™ and Celeron™ N Series Processors
- Dual Channel DDR3L 1866 non-ECC up to 8GB
- Supports up to 3 simultaneous display: LVDS/eDP, VGA, HDMI/DisplayPort
- Supports H.264/AVC, H.265/HEVC, VP9, VP8 HW DECODE
- Supports Wide-range operating temp.
- iManager, WISE-PaaS/RMM, and Embedded Software APIs

**Software APIs:** Watchdog, I²C, SMBus, H/W Monitor, GPIO, Brightness Control

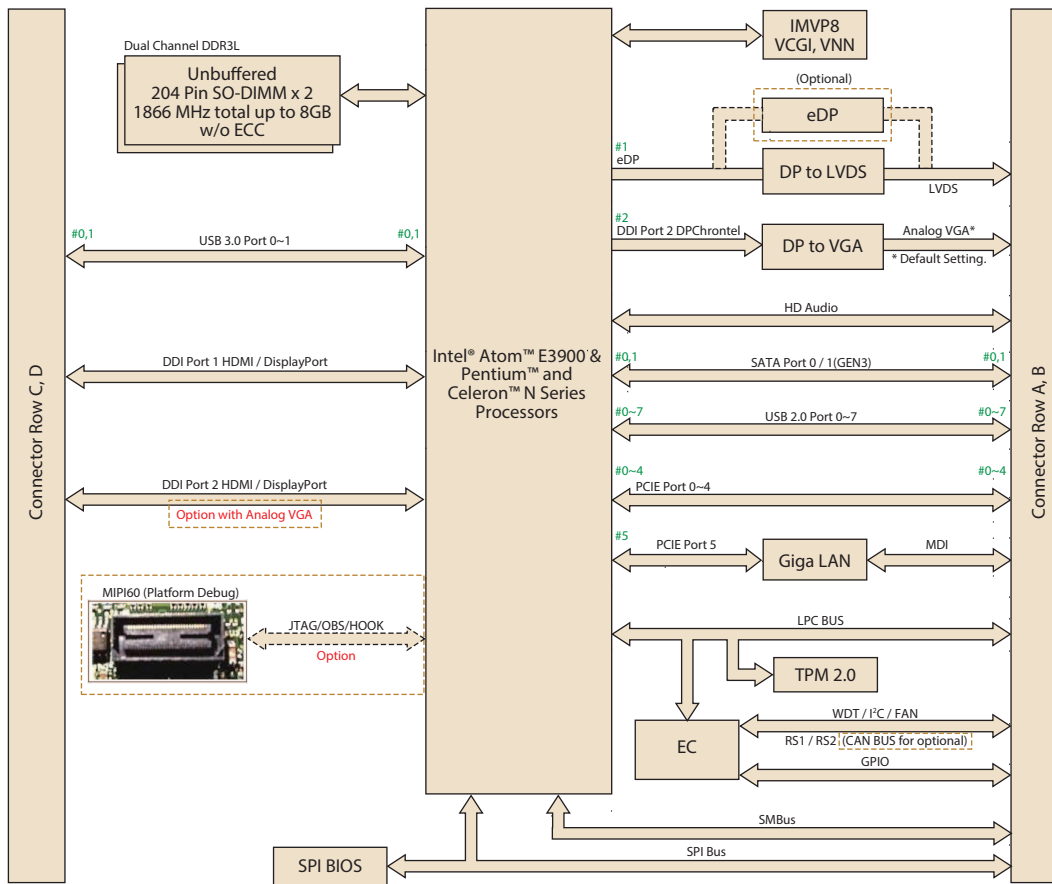
**Utilities:** BIOS flash, Monitoring, Embedded Security ID



### Specifications

Compliance	Form-Factor	COM Express Compact Module				
	Pin-out Type	COM Express R2.1 Type 6 pin out				
Platform	Processor	Atom X7-E3950	Atom X5-E3940	Atom X5-E3930	Pentium N4200	Celeron N3350
	Base Frequency	1.6GHz	1.6GHz	1.3GHz	1.1GHz	1.1GHz
	Burst Frequency	2GHz	1.8GHz	1.8GHz	2.5GHz	2.4GHz
	Core/Thread	4/4	4/4	2/2	4/4	2/2
	LLC	2 MB	2 MB	2 MB	2 MB	2 MB
	CPU TDP	12 W	9.5 W	6.5 W	6 W	6 W
	BIOS	AMI UEFI BIOS @ 64 Mb				
Memory	Technology	Dual channel DDR3L 1866				
	ECC Support	Not supported				
	Channel/Socket	Dual Channels / 2 sockets				
	Max. Capacity	Up to 8 GB				
Graphics	Controller	Intel® HD Graphics 505	Intel® HD Graphics 500	Intel® HD Graphics 500	Intel® HD Graphics 505	Intel® HD Graphics 500
	Graphics Burst Frequency	650MHz	600MHz	550MHz	750MHz	650MHz
	Graphics Memory	TBD				
	3D/HW Acceleration	DX (9.3, 10, 11.3, 12), OpenGL 4.3, OGL ES 3.0, OpenCL 2.0 HEVC (H.265) @ L5, H.264 @ 5.2, MVC, MPEG2, VP8, VP9, VC-1, WMV9, JPEG/MJPEG HW Decode, HEVC (H.265) @ L4, H.264 @ 5.2, MVC, VP8, VP9, JPEG/MJPEG HW Encode				
Display	VGA	1 port up to 1920 x 1200				
	LCD (LVDS/DP)	LVDS: Dual-channel 18/24-bit, up to 1366 x 768 eDP: Up to 4096 x 2160 @ 60 Hz				
	DDI (HDMI/DisplayPort)	Multi-independent display: Up to 3 simultaneous display (1 Internal + 2 Externals) Resolution: ▪ HDMI.1.4b: 3840 x 2160 @ 30Hz ▪ DP1.2a: 4096 x 2160 @ 60Hz				
	Triple Display	eDP, VGA, HDMI/DisplayPort(DDI1) LVDS, VGA, HDMI/DisplayPort(DDI1) eDP, HDMI/DisplayPort(DDI1), HDMI/DisplayPort(DDI2) LVDS, HDMI/DisplayPort(DDI1), HDMI/DisplayPort(DDI2)				
Expansion	PCI Express x1	5 PCIe x1, 1 PCIe x4 + 1 PCIe x1 (Optional)				
	Audio Interface	Intel HD Audio Interface				
	LPC	Yes (25MHz)				
Serial Bus	SMBus	Yes				
	I²C Bus	Yes				
Ethernet	Controller	Intel i210IT/210AT				
	Speed	10/100/1000 Mbps				
I/O	SATA	2 ports, Support Gen 1(1.5 Gb/s) or Gen2 (3 Gb/s) and Gen3.1 (6Gb/s)				
	USB3.0	2 ports				
	USB2.0	8 ports				
	SPI Bus	Support SPI BIOS EEPROM				
	GPIO	8-bit GPIO programmable				
	Watchdog	65536 level, 0 ~ 65535 sec				
	COM Port	2 Ports (2-Wire)				
	Express Card	2				
	TPM	TPM2.0				
	CAN Bus	Optional				
	Smart Fan	2 Ports; 1 Port on COM Module, Support 12V Fan, 1 Port on Carrier Board				
	Power	Type	ATX: Vin, VSB; AT: Vin			
Supply Voltage		ATX (Vin 4.75-20V, Vsb 4.75-5.25V) AT (Vin 4.75-20V)				
Power Consumption		Max. 14.76Watt, (N4200) Idle 4.46Watt,(N4200)				
Environment	Temperature	Operating Standard: 0 ~ 60° C (32 ~ 140° F), Extend: -40 ~ 85° C (-40 ~ 185° F) Storage: -40 ~ 85° C (-40 ~ 185° F)				
	Humidity	Operating: 40° C @ 95% relative humidity, non-condensing Storage: 60° C @ 95%relative humidity, non-condensing				
	Vibration Resistance	3.5 Grms				
Mechanical	Dimensions	95 x 95 mm (3.74" x 3.74")				

## Block Diagram



## Ordering Information

Part No.	CPU	Frequency Base/Burst	Core	CPU TDP	DDR3L Memory	LVDS	VGA	DDI	Giga LAN	HD Audio	PCIe x 1	USB 2.0	USB 3.0	SATAIII	LPC	Power	Thermal Solution	Operating Temperature
SOM-6869RC-S1A1E	Celeron N3350	1.1/2.4 GHz	2C	6W	DDR3L-1866 MHz	18/24-bit	1	2	1	Yes	5	8	2	2	Yes	AT/ATX	Passive	0 - 60° C
SOM-6869PC-S2A1E	Pentium N4200	1.1/2.5 GHz	4C	6W	DDR3L-1866 MHz	18/24-bit	1	2	1	Yes	5	8	2	2	Yes	AT/ATX	Passive	0 - 60° C
SOM-6869AC-S3A1E	Atom x5-E3930	1.3/1.8 GHz	2C	6.5W	DDR3L-1866 MHz	18/24-bit	1	2	1	Yes	5	8	2	2	Yes	AT/ATX	Passive	0 - 60° C
SOM-6869AC-S6A1E	Atom x5-E3940	1.6/1.8 GHz	4C	9.5W	DDR3L-1866 MHz	18/24-bit	1	2	1	Yes	5	8	2	2	Yes	AT/ATX	Passive	0 - 60° C
SOM-6869AC-S7A1E	Atom x7-E3950	1.6/2.0 GHz	4C	12W	DDR3L-1866 MHz	18/24-bit	1	2	1	Yes	5	8	2	2	Yes	AT/ATX	Passive	0 - 60° C
SOM-6869AX-S3A1E	Atom x5-E3930	1.3/1.8 GHz	2C	6.5W	DDR3L-1866 MHz	18/24-bit	1	2	1	Yes	5	8	2	2	Yes	AT/ATX	TBC	-40 - 85° C
SOM-6869AX-S6A1E	Atom x5-E3940	1.6/1.8 GHz	4C	9.5W	DDR3L-1866 MHz	18/24-bit	1	2	1	Yes	5	8	2	2	Yes	AT/ATX	TBC	-40 - 85° C
SOM-6869AX-S7A1E	Atom x7-E3950	1.6/2.0 GHz	4C	12W	DDR3L-1866 MHz	18/24-bit	1	2	1	Yes	5	8	2	2	Yes	AT/ATX	TBC	-40 - 85° C

Note: Any other sku or combination is project based support. Please contact sales for details.

## Packing List

Part No.	Description	Quantity
-	SOM-6869 CPU Module (N4200, N3350 CPU SKU)	1
1960080793T000	Heatspreader * For N4200, N3350 CPU SKU	1
Part No.	Description	Quantity
-	SOM-6869 CPU Module (E3950, E3940, E3930 CPU SKU)	1
1960080792T000	Heatspreader * For E3950, E3940, E3930 CPU SKU	1

## Optional Accessories

Part No.	Description
1960048815N001	Semi-Heatsink 95 x 95 x 16.25 mm
1960048819N001	Semi-Cooler 95 x 95 x 33 mm
96LEDK-I057VG50NA1	5.7" LED PANEL 500N 640X480(G)
96LEDK-A084SV45NB2	8.4" LED PANEL 450N 800X600(G) G084SN05 V9
96LEDK-C150XG40NG1	15" LED PANEL 400N 1024X768(G) G150XGE-L04
96LEDK-A170SX35NF1	17" LED 350N 1280X1024(G) G170EG01 V1

## Development Board

Part No.	Description
SOM-DB5800-00A2E	COMe Devel. Board Type6 pint-out Rev. A2

## Embedded OS

OS	Part No.	Description
Win10	2070015008	img W10 16EL SOM-6869 64bit 1701 Eng