



Chipsmall Limited consists of a professional team with an average of over 10 year of expertise in the distribution of electronic components. Based in Hongkong, we have already established firm and mutual-benefit business relationships with customers from,Europe,America and south Asia,supplying obsolete and hard-to-find components to meet their specific needs.

With the principle of “Quality Parts,Customers Priority,Honest Operation,and Considerate Service”,our business mainly focus on the distribution of electronic components. Line cards we deal with include Microchip,ALPS,ROHM,Xilinx,Pulse,ON,Everlight and Freescale. Main products comprise IC,Modules,Potentiometer,IC Socket,Relay,Connector.Our parts cover such applications as commercial,industrial, and automotives areas.

We are looking forward to setting up business relationship with you and hope to provide you with the best service and solution. Let us make a better world for our industry!



Contact us

Tel: +86-755-8981 8866 Fax: +86-755-8427 6832

Email & Skype: info@chipsmall.com Web: www.chipsmall.com

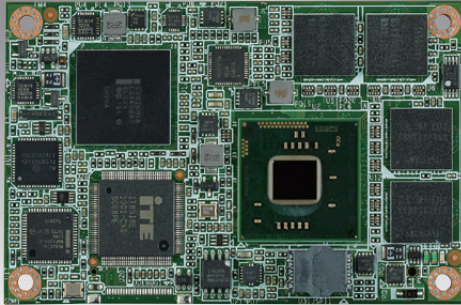
Address: A1208, Overseas Decoration Building, #122 Zhenhua RD., Futian, Shenzhen, China



SOM-7565 A2

Intel® Atom™ Processor N2600/N2800
COM Express® Mini Module

NEW

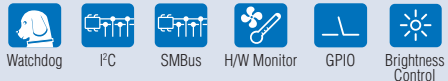


iManager susiAccess  CE FC

Features

- Embedded Intel® Atom™ Processor N2800/N2600 + NM10
- Intel® GMA3650 supports DX9 and OGL 3.0, MPEG2/VC1/H.264 HW Decoder
- Supports onboard memory 1066/800 up to 4GB/2GB
- Supports onboard flash up to MLC 8G
- Supports 3 PCIe x1, 1 GbE, 1 SATA, 8 USB2.0, LPC, SMBus, I²C Bus
- Supports iManager, SUSIAccess and Embedded Software APIs

Software APIs:



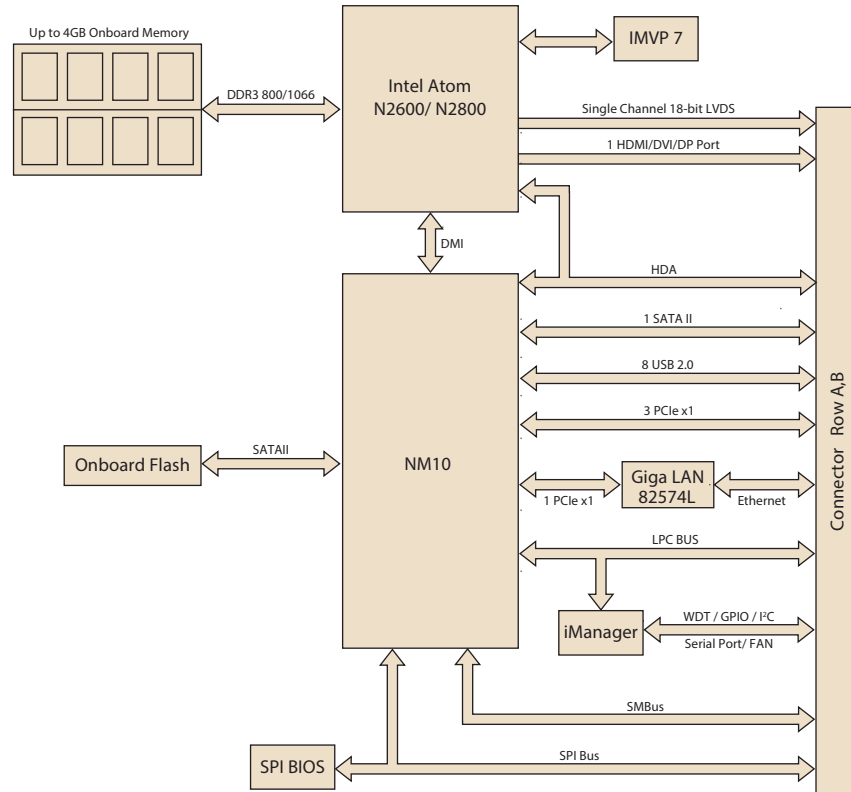
Utilities:



Specifications

Form Factor		COM Express® R2.1 Mini Module, Pin-out Type 10
Processor System	CPU	Intel® Atom™ Processor N2800 1.86GHz, 2 x 512 KB L2 Cache Intel® Atom™ Processor N2600 1.6GHz, 2 x 512 KB L2 Cache
	System Chipset	NM10
	BIOS	AMI EFI 16Mb
Memory	Technology	N2800: DDR3 1066, N2600: DDR3 800 N2800: Up to 4GB, N2600: Up to 2GB
	Max. Capacity	Onboard up to 4GB
Display	Chipset	Intel® Gfx integrated in Atom™ Processor
	Graphic Engine	Intel® GMA3650 640MHz for N2800, GMA3600 400MHz for N2600, supports DX9, OGL 3.0, MPEG2/VC1/H.264 HW Decoder
	LVDS	18-bit up to 1366 x 768
	DDI	1 port shared, HDMI/DVI up to 1920 x 1200, DP up to 1600 x 1200
Dual Display		LVDS + HDMI/DVI/DP
	Ethernet	Chipset
	Speed	10/100/1000 Mbps
WatchDog Timer		65536 level timer interval, from 0~65535 sec, multi-level, multi-option watchdog timer
Expansion		3 PCIe x1, LPC, SMBus, I ² C Bus
I/O	SATA	1 port, SATAII 3.0Gb/s compliant (2 port optional while remove onboard flash)
	Onboard Flash	MLC 4GB/8GB or SLC 4GB
	USB	8 USB 2.0
	Audio	High definition audio interface
	GPIO	8-bit GPIO
Power	Power Type	ATX, AT
	Power Supply Voltage	ATX mode: Vin: 4.75 ~ 20V, VSB: 4.75 ~ 5.25V (Note: Vin must >= VSB) AT mode: Vin: 4.75 ~ 20V
	Power Consumption (Typical)	N2600: 7.0W @ Vin=12V N2800: 8.0W @ Vin=12V
	Power Consumption (Max, test in Burn-in Test V6.0 Pro)	N2600: 8.6W @ Vin=12V N2800: 9.5W @ Vin=12V
Environment	Temperature	Operating: 0 ~ 60° C (32 ~ 140° F) Storage: -40 ~ 85° C (-40 ~ 185° F)
	Humidity	Operating: 40° C @ 95% relative humidity, non-condensing Storage: 60° C @ 95%relative humidity, non-condensing
Mechanical	Dimensions	84 x 55 mm (3.3" x 2.17")

Block Diagram



Ordering Information

P/N	CPU	L2 Cache	Chipset	On board Memory	On board Flash	LVDS	HDMI/ DVI/ DP	PCIe x1	HD Audio	GbE	SATAII	USB 2.0	LPC	SMBus	Thermal Solution	Operation Temp.
SOM-7565S4-S6A2E	N2600	1 MB	NM10	2 GB	SLC 4 GB	18-bit	1	3	Yes	1	1	8	Yes	Yes	Passive	0 ~ 60° C
SOM-7565S0-S6A2E	N2600	1 MB	NM10	2 GB	None	18-bit	1	3	Yes	1	1	8	Yes	Yes	Passive	0 ~ 60° C
SOM-7565S0Z-S6A2E	N2600	1 MB	NM10	2 GB	None	18-bit	1	3	Yes	1	1	8	Yes	Yes	Passive	-20 ~ 80° C
SOM-7565S0Z2-S6A2E	N2600	1 MB	NM10	2 GB	None	18-bit	1	3	Yes	1	1	8	Yes	Yes	Passive	-40 ~ 85° C
SOM-7565M4-S6A2E	N2600	1 MB	NM10	2 GB	MLC 4 GB	18-bit	1	3	Yes	1	1	8	Yes	Yes	Passive	0 ~ 60° C
SOM-7565M8-S8A2E	N2800	1 MB	NM10	4 GB	MLC 8 GB	18-bit	1	3	Yes	1	1	8	Yes	Yes	Passive	0 ~ 60° C

Note: Passive = fanless; Active = with fan

Development Board

Part No.	Description
SOM-DB5800-U0A2E	COM Express® Development Board A2 for Type 10

Packing List

Part No.	Description	Quantity
-	SOM-7565 CPU Module	-
1960055344N001	Heatspreader	1

Optional Accessories

Part No.	Description
1960056280N001	Semi-Heatsink 84L x 55W x 13.2H mm (0 ~ 60° c)
96LEDK-I057VG50NA1	5.7" LED PANEL 500N 640 x 480(G)
96LEDK-A084SV45NB2	8.4" LED PANEL 450N 800 x 600(G) G084SN05 V9 (V901)

Embedded OS

OS	Part Number	Description
WES7P	2070011201	WES7P SP1 x32 SOM-7565 V5.1.9 ENG
XPE	2070011778	XPE WES2009 SOM-7565 V4.3 ENG