



Chipsmall Limited consists of a professional team with an average of over 10 year of expertise in the distribution of electronic components. Based in Hongkong, we have already established firm and mutual-benefit business relationships with customers from,Europe,America and south Asia,supplying obsolete and hard-to-find components to meet their specific needs.

With the principle of “Quality Parts,Customers Priority,Honest Operation,and Considerate Service”,our business mainly focus on the distribution of electronic components. Line cards we deal with include Microchip,ALPS,ROHM,Xilinx,Pulse,ON,Everlight and Freescale. Main products comprise IC,Modules,Potentiometer,IC Socket,Relay,Connector.Our parts cover such applications as commercial,industrial, and automotives areas.

We are looking forward to setting up business relationship with you and hope to provide you with the best service and solution. Let us make a better world for our industry!



## Contact us

Tel: +86-755-8981 8866 Fax: +86-755-8427 6832

Email & Skype: info@chipsmall.com Web: www.chipsmall.com

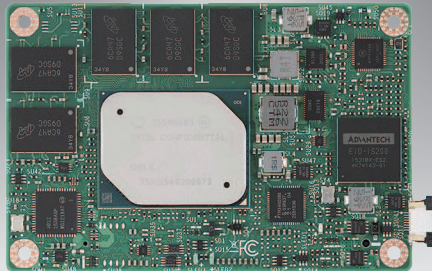
Address: A1208, Overseas Decoration Building, #122 Zhenhua RD., Futian, Shenzhen, China



# SOM-7569

## Intel® Atom™ E3900 & Pentium™ and Celeron™ N Series Processors COM-Express Mini Module

NEW



### Features

- COM R.2.1 Type 10 Mini Module
- Intel® Atom™ E3900 & Pentium™ and Celeron™ N Series Processors
- One Channel DDR3L 1866 ECC / non-ECC onboard memory up to 8 GB
- Dual Display: LVDS, HDMI/DisplayPort
- Up to 32GB eMMC 5.0 onboard storage
- Supports H.264/AVC, H.265/HEVC, VP9, VP8 HW DECODE
- Supports Wide-range operating temp.
- iManager and Embedded Software APIs

**Software APIs:**

- Watchdog
- I<sup>2</sup>C
- SMBus
- H/W Monitor
- GPIO
- Brightness Control

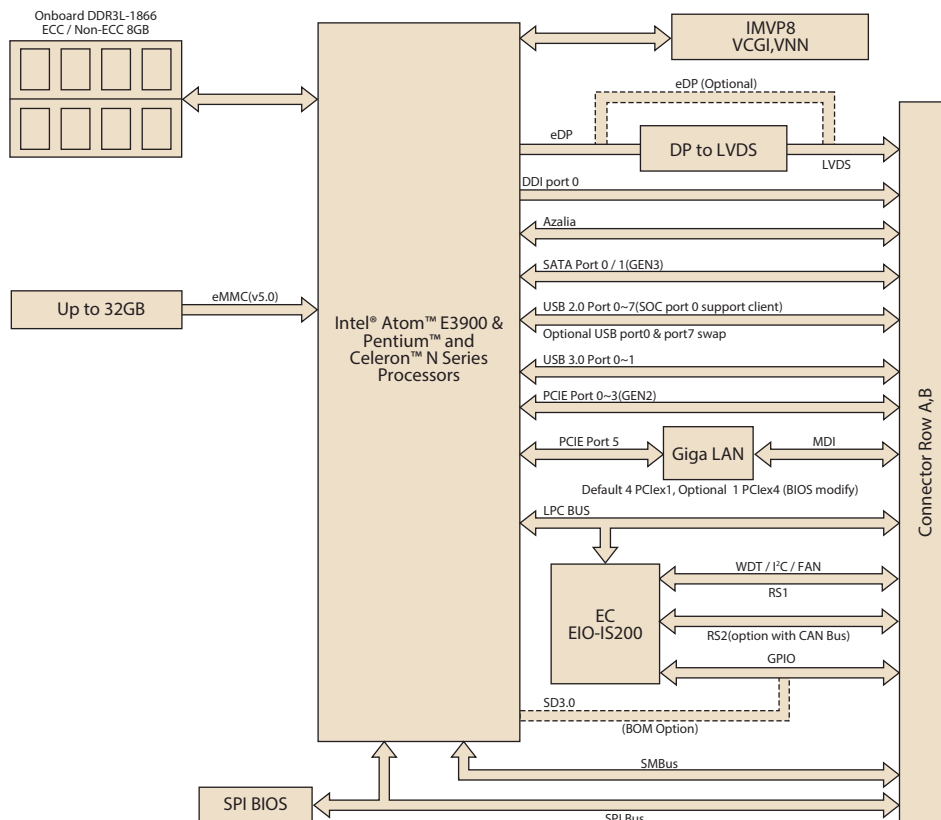
**Utilities:**

- BIOS flash
- Monitoring
- Embedded Security ID

### Specifications

Form Factor	Form Factor	COM-Express 2.1					
	Pin-out Type	Mini Module, Type 10 Pin-out					
Processor System	SoC	Atom X7-E3950	Atom X5-E3940	Atom X5-E3930	Pentium N4200	Celeron N3350	
	Base Frequency	1.6GHz	1.6GHz	1.3GHz	1.1GHz	1.1GHz	
	Burst Frequency	2GHz	1.8GHz	1.8GHz	2.5GHz	2.4GHz	
	Core/Thread	4 / 4	4 / 4	2 / 2	4 / 4	2 / 2	
	LLC	2MB	2MB	2MB	2MB	2MB	
	CPU TDP	12W	9.5W	6.5W	6W	6W	
	Chipset	integrated in CPU					
	BIOS	AMI UEFI BIOS @ 64Mb					
Memory	Technology	One channel DDR3L 1866					
	ECC Support	Yes					
	Max. Capacity	8GB					
	Socket	Onboard DDR					
Graphics	Controller	Intel® HD Graphics 505	Intel® HD Graphics 500	Intel® HD Graphics 500	Intel® HD Graphics 505	Intel® HD Graphics 500	
	Graphics Burst Frequency	650MHz	600MHz	550MHz	750MHz	650MHz	
	Graphic Memory	TBD					
	3D/HW Acceleration	DX (9.3, 10, 11.3, 12), OpenGL 4.3, OGL ES 3.0, OpenCL 2.0 HEVC (H.265) @L5, H.264 @ 5.2, MVC, MPEG2, VP8, VP9, VC-1, WMV9, JPEG/MJPEG HW Decode, HEVC (H.265) @L4, H.264@ 5.2, MVC, VP8, VP9, JPEG/MJPEG HW Encode					
Display	LCD (LVDS/eDP)	LVDS: Single-channel 18/24-bit, up to 1366 x 768 eDP: Up to 4096 x 2160 @ 60 Hz					
	DDO (HDMI/DisplayPort)	HDMI 1.4b: Upto 3840 x 2160 @ 30 Hz DP 1.2: Upto 4096 x 2160 @ 60 Hz					
	Dual Display	LVDS, HDMI/DisplayPort eDP, HDMI/DisplayPort (optional)					
Expansion	PCI Express x1	4 PCIe x1, 1 PCIe x4 (optional)					
	Audio Interface	HD Audio					
	LPC	Yes					
Serial Bus	SMBus	Yes					
	I <sup>2</sup> C Bus	Yes					
Ethernet	Controller	Intel® i210IT/i210AT					
	Speed	10/100/1000 Mbps					
I/O	SATA	2 Ports, Support Gen 1(1.5 Gb/s) or Gen2 (3 Gb/s) and Gen3.1 (6Gb/s)					
	Onboard Storage	Up to 32GB eMMC 5.0 interface					
	USB3.0	2 Ports					
	USB2.0	8 Ports					
	Audio	Intel® HD Audio					
	GPIO	8-bit GPIO					
	SDIO	Optional					
	Watchdog	65536 level, 0 ~ 65535 sec					
	COM Port	2 Ports (2-Wire)					
	Express Card	Yes					
	Smart Fan	2 Ports; 1 Port on COM Module. Support 12V Fan, 1 Port on Carrier Board					
	Power	Type	ATX, AT				
		Supply Voltage	ATX (Vin 4.75-20V, Vsb 4.75-5.25V) AT (Vin 4.75-20V)				
Power Consumption (Max.)		Max. 12.886Watt. (N4200), 11.999Watt. (N3350)					
Power Consumption (Idle)		Idle 2.555Watt.(N4200), 2.783Watt.(N3350)					
Environment	Temperature	Operating: 0 ~ 60 °C (32 ~ 140 °F), Storage: -40 ~ 85 °C (-40 ~ 185 °F) Extend: -40 ~ 85 °C (-40 ~ 185 °F)					
	Humidity	Operating: 40 °C @ 95% relative humidity, non-condensing Storage: 60 °C @ 95% relative humidity, non-condensing					
	Vibration Resistance	3.5 Grms					
Mechanical	Dimensions	84 x 55 mm (3.3" x 2.17")					

## Block Diagram



## Ordering Information

Part No.	SoC	Base/Burst Freq.	Core	LLC	CPU TDP	Onboard Memory	Onboard Flash	Thermal Solution	Operating Temperature
SOM-7569CM0C-S2A1E	Pentium N4200	1.1GHz / 2.5GHz	4	2MB	6W	4GB / Non-ECC	N/A	Passive	0 – 60° C
SOM-7569CM0C-S1A1E	Celeron N3350	1.1GHz / 2.4GHz	2	2MB	6W	4GB / Non-ECC	N/A	Passive	0 – 60° C
SOM-7569CCBC-S6A1E	Atom X7-E3950	1.6GHz / 2GHz	4	2MB	12W	4GB / ECC	MLC 32GB	Passive	0 – 60° C
SOM-7569CM0C-S5A1E	Atom X5-E3940	1.6GHz / 1.8GHz	4	2MB	9.5W	4GB / ECC	N/A	Passive	0 – 60° C
SOM-7569CM0C-S3A1E	Atom X5-E3930	1.3GHz / 1.8GHz	2	2MB	6.5W	4GB / ECC	N/A	Passive	0 – 60° C
SOM-7569DCBX-S6A1E	Atom X7-E3950	1.6GHz / 2GHz	4	2MB	12W	8GB / ECC	MLC 32GB	TBC	-40 – 85° C
SOM-7569CCBX-S6A1E	Atom X7-E3950	1.6GHz / 2GHz	4	2MB	12W	4GB / ECC	MLC 32GB	TBC	-40 – 85° C
SOM-7569CM0X-S5A1E	Atom X5-E3940	1.6GHz / 1.8GHz	4	2MB	9.5W	4GB / ECC	N/A	TBC	-40 – 85° C
SOM-7569CM0X-S3A1E	Atom X5-E3930	1.3GHz / 1.8GHz	2	2MB	6.5W	4GB / ECC	N/A	TBC	-40 – 85° C

Note: Any other sku or combination is project based support. Please contact sales for details.

## Packing List

Part No.	Description	Quantity
-	SOM-7569 CPU Module (N4200, N3350 CPU SKU)	1
1960079608T000	Heatspreader * For N4200, N3350 CPU SKU	1
-	SOM-7569 CPU Module (E3950, E3940, E3930 CPU SKU)	1
1960079610T000	Heatspreader * For E3950, E3940, E3930 CPU SKU	1

## Development Board

Part No.	Description
SOM-DB5800-U0A2E	COMe Devel. Board Type10 pint-out Rev. A2

## Optional Accessories

Part No.	Description
1960056280N001	Semi-Heatsink 84L x 55W x 13.2H mm (0 – 60° C)
96LEDK-I057VG50NA1	5.7" LED PANEL 500N 640X480(G)
96LEDK-A084SV45NB2	8.4" LED PANEL 450N 800X600(G) G084SN05 V9
96LEDK-C150XG40NG1	15" LED PANEL 400N 1024X768(G) G150XGE-L04

## Embedded OS

OS	Part Number	Description
Win10	2070015218	img W10 16HL SOM-7569 64b 1701 ENU
Win10	2070015219	img W10 16VL SOM-7569 64b 1701 ENU
Win10	2070015220	img W10 16EL SOM-7569 64b 1701 ENU