



Chipsmall Limited consists of a professional team with an average of over 10 year of expertise in the distribution of electronic components. Based in Hongkong, we have already established firm and mutual-benefit business relationships with customers from,Europe,America and south Asia,supplying obsolete and hard-to-find components to meet their specific needs.

With the principle of “Quality Parts,Customers Priority,Honest Operation,and Considerate Service”,our business mainly focus on the distribution of electronic components. Line cards we deal with include Microchip,ALPS,ROHM,Xilinx,Pulse,ON,Everlight and Freescale. Main products comprise IC,Modules,Potentiometer,IC Socket,Relay,Connector.Our parts cover such applications as commercial,industrial, and automotives areas.

We are looking forward to setting up business relationship with you and hope to provide you with the best service and solution. Let us make a better world for our industry!



Contact us

Tel: +86-755-8981 8866 Fax: +86-755-8427 6832

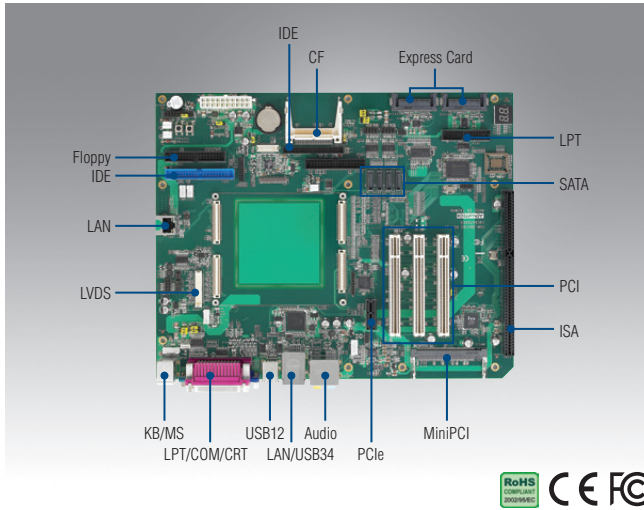
Email & Skype: info@chipsmall.com Web: www.chipsmall.com

Address: A1208, Overseas Decoration Building, #122 Zhenhua RD., Futian, Shenzhen, China



SOM-DB4700

ETX/XTX Development Board



Features

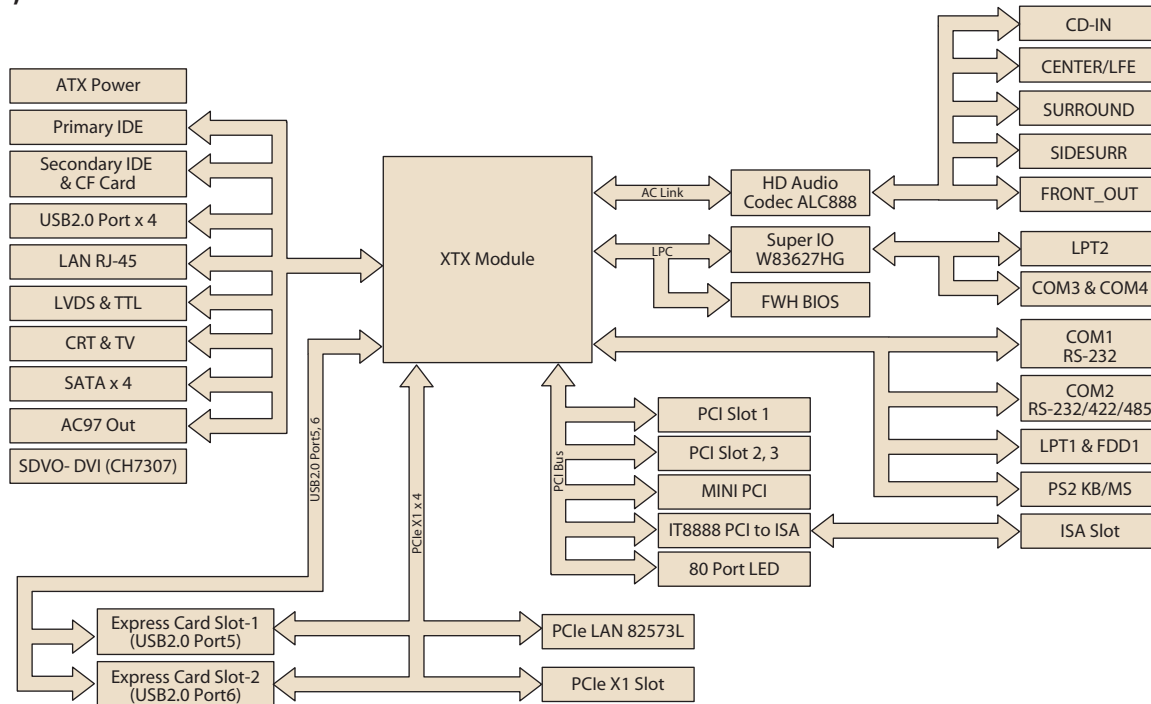
- ETX/XTX Development Board
- ATX form factor
- Display type: LVDS, DVI, VGA, TV out
- Expansion: 2 Express Card, 3 PCI, 1 Mini PCI, 1 ISA bus slot
- SATA/EIDE/FDD/LPT/Keyboard/Mouse/USB/Audio/SSD interface

Specifications

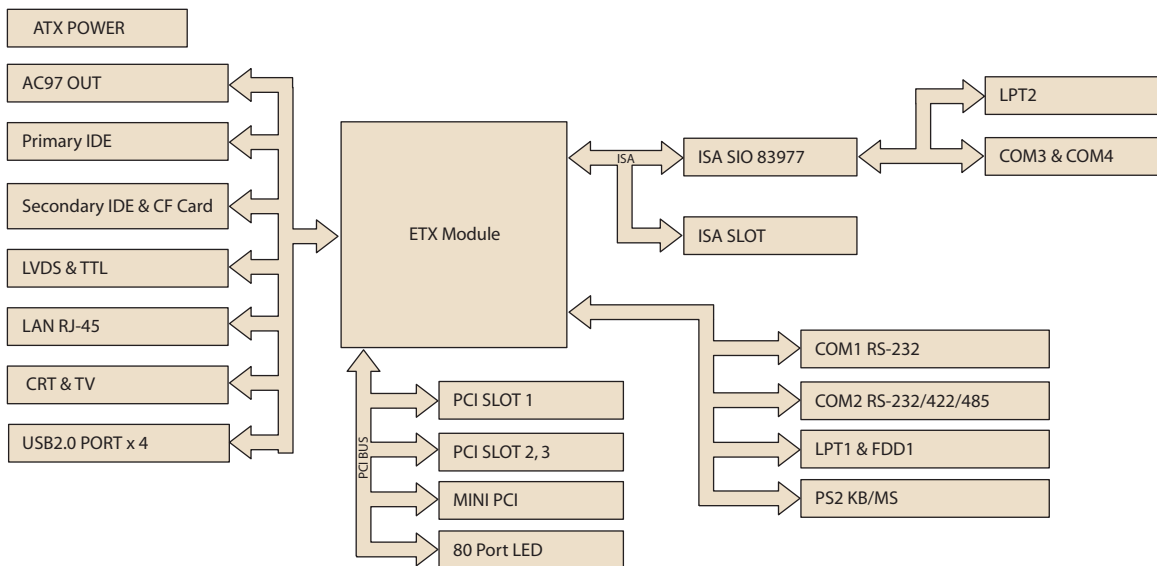
Compatible Models		ETX	XTX
Display	LCD	TTL/LVDS (depends on CPU module)	TTL/LVDS (depends on CPU module)
	VGA	1	1
	DVI	-	1
	TV out	1	1
	Dual Display	TTL/LVDS, VGA, TV out	TTL/LVDS, VGA, TV out
Ethernet		1 x 10/100	1 x 10/100 + 1 Giga
Audio		AC97	High Definition Audio
Expansion	Express Card	-	2
	PCI	3	2
	Mini PCI	1	1
	ISA	1	1
I/O	SATA	-	4
	EIDE	1 x 40 pin + 1 x 44 pin	1 x 40 pin + 1 x 44 pin
	Serial	4 COM ports 3 x RS-232, 1 x RS-232/422/485	4 COM ports 3 x RS-232, 1 x RS-232/422/485
	USB	4 x USB 2.0	6 x USB 2.0
	LPT/FDD	1	1
	KB/MS	1	1
	CF	1	1
	System Fan	2	2
	SMBus	1	1
	I2C	1	1
	Port 80	1	1
Power	Power Type	ATX mode	
Environment	Operating Temperature	0 ~ 60° C (32 ~ 140° F)	
	Humidity	Operating: 40° C @ 95% relative humidity, non-condensing Storage: 60° C @ 95%relative humidity, non-condensing	
Mechanical	Dimensions	304.8 x 190.5 mm (12" x 7.5")	

Block Diagram

(XTX)



(ETX)



Ordering Information

Part No.	Description
SOM-DB4700-00A1E	Development Board for ETX Rev.A1
SOM-DB4700X-00A1E	Development Board for XTX Rev.A1

Packing List

Part No.	Description	Quantity
SOM-DB4700-00A1E	SOM-DB4700	1
1703050307	TV-Out Cable	1