



Chipsmall Limited consists of a professional team with an average of over 10 year of expertise in the distribution of electronic components. Based in Hongkong, we have already established firm and mutual-benefit business relationships with customers from,Europe,America and south Asia,supplying obsolete and hard-to-find components to meet their specific needs.

With the principle of “Quality Parts,Customers Priority,Honest Operation,and Considerate Service”,our business mainly focus on the distribution of electronic components. Line cards we deal with include Microchip,ALPS,ROHM,Xilinx,Pulse,ON,Everlight and Freescale. Main products comprise IC,Modules,Potentiometer,IC Socket,Relay,Connector.Our parts cover such applications as commercial,industrial, and automotives areas.

We are looking forward to setting up business relationship with you and hope to provide you with the best service and solution. Let us make a better world for our industry!



Contact us

Tel: +86-755-8981 8866 Fax: +86-755-8427 6832

Email & Skype: info@chipsmall.com Web: www.chipsmall.com

Address: A1208, Overseas Decoration Building, #122 Zhenhua RD., Futian, Shenzhen, China





MODEL: SP-1508
PRODUCT: Dynamic Speaker
EDITION: A/2016

THIS SPECIFICATION COVERS OUR PRODUCT OF DYNAMIC SPEAKER UNIT FOR MOBILE TELEPHONE USE

SPEAKER ELECTROACOUSTIC CHARACTERISTICS

sound pressure level	85±3dB SPL @0.7,0.8 ,1.0,1.5and2.0KHz in average (0dB SPL=20μPa)
measuring condition	0.1W (Sine wave) 10cm measured with baffler shown in Fig.1
frequency response curve	As shown in Fig. 2
response frequency	700±20%Hz @ 1V in free air 900±20%Hz @ 1V in 1cc box
rated noise power	0.5W (in 1cc box)
short term max. power	0.7W (in 1cc box)
operation test	Must be free of audible noise (buzzes and rattles) (300 ~ 5KHz frequency range, input level up to 2.0Vrms in 1cc box)
distortion	Less than 10% @1KHz,0.1M,0.5W frequency range ,input level up to 0.5W)
ac impedance	7±15%Ω(@1.5KHz 1V) without baffler

GENERAL SPECIFICATIONS

operating temperature range	-20°C ~+60°C	
standard test conditions	temperature	temperature
	relative humidity	45%~80%(RH)
dimension	15 x 8 x 2.6 mm	

RELIABILITY TESTS

The sound pressure as specified shall neither deviate more than ±3dB form the initial value, nor have any significant damage after any of following testing.

HIGH TEMPERATURE TEST

high temperature	+60±2°C
duration	96 hours

LOW TEMPERATURE TEST

low temperature	-20±2°C
duration	96 hours

HEAT SHOCK TEST

high temperature	+60±2°C
low temperature	-20±2°C
changeover time	<30 seconds
duration	1 hour
cycle	100



MODEL: SP-1508
PRODUCT: Dynamic Speaker
EDITION: A/2016

RELIABILITY TESTS (Continued)

HUMIDITY TEST

temperature	+ 40±2°C
relative humidity	90%~95%
duration	96 hours

TEMPERATURE CYCLE TEST

temperature	-20°C +60°C
duration	45minutes 45minutes
temperature gradient	1~3°C/min
cycle	25

DROP TEST

mounted with dummy set mass	100 g
height	1.5 m
cycle	6(1 each plain) Onto the concrete board

LOAD TEST

Speaker mode	white noise(EIA filter)for 1 hour@0.5W(in 1CC box) input power
--------------	--

MEASURING METHOD (SPEAKER MODE)

STANDARD

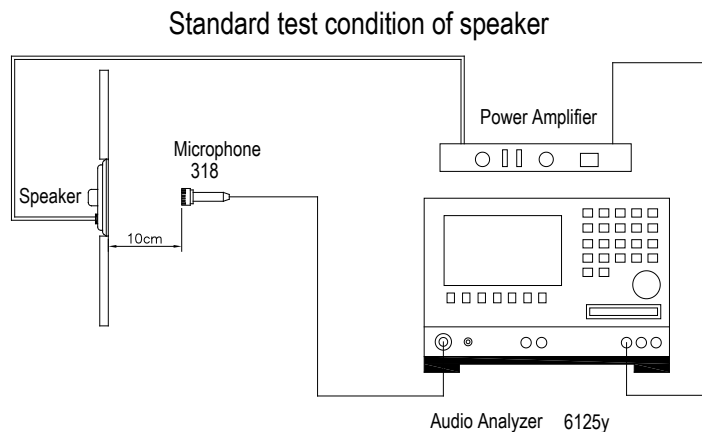
TEST CONDITION

temperature	15 ~ 35°C
relative humidity	45% ~ 85%
atmospheric pressure	860mbar to 1060mbar

STANDARD TEST FIXTURE

input power	0.1W(0.89V)
zero level	-dB
mode	TSR
potentiometer range	50dB
sweep time	0.5sec

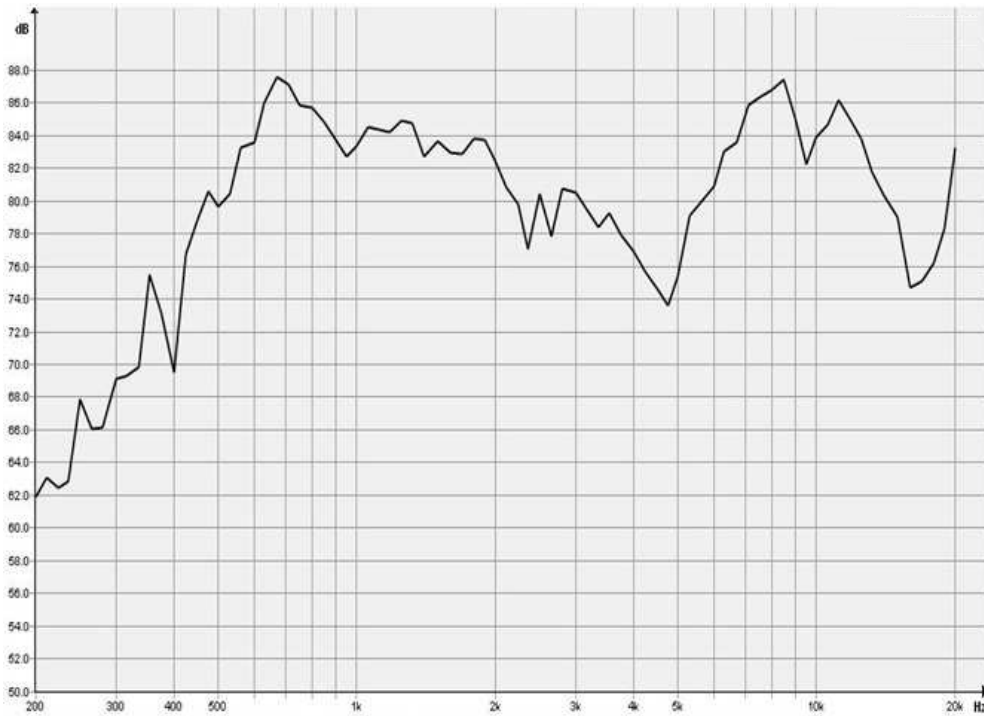
(Fig. 1)





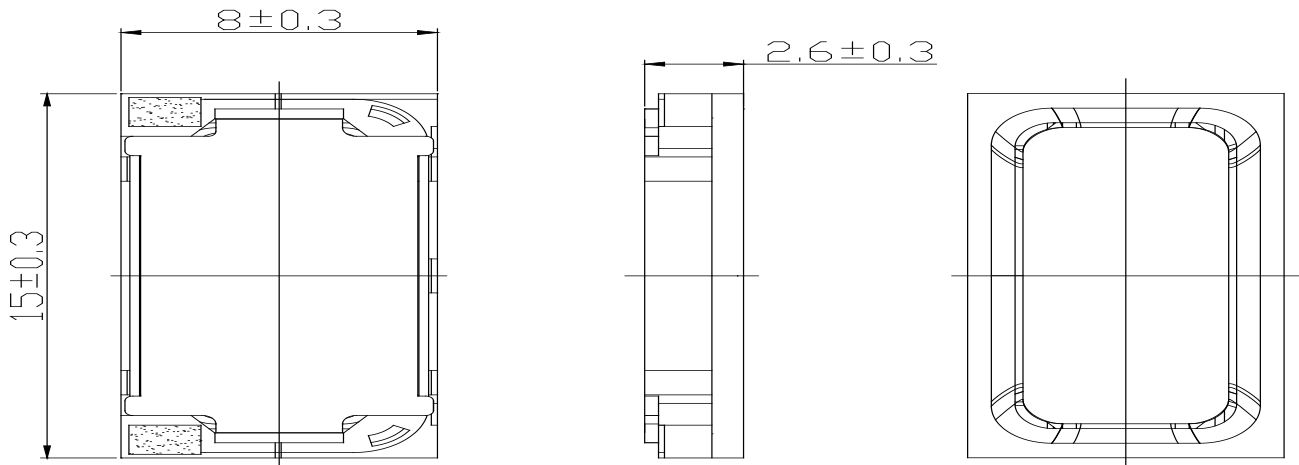
MODEL: SP-1508
PRODUCT: Dynamic Speaker
EDITION: A/2016

FREQUENCY RESPONSE CURVE (Fig. 2)



DIMENSIONS

Tolerance:±0.5 (unit: mm)



no.	part name	material	quantity
1	Cap	Scotch ABS	1
2	Diaphragm	PEEK	1
3	Magnet	Nd Fe B10.6*6.6*1.0	1
4	Plate3	SPCC10.65*6.65*0.4	1
5	Voice Coil	POLYURETHANEENAMELLED WIRE 10.95*6.95*1.05	1
6	Frame	BLACK PBT	1
7	Gasket		1

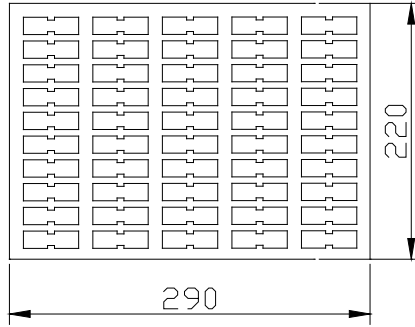


MODEL: SP-1508
PRODUCT: Dynamic Speaker
EDITION: A/2016

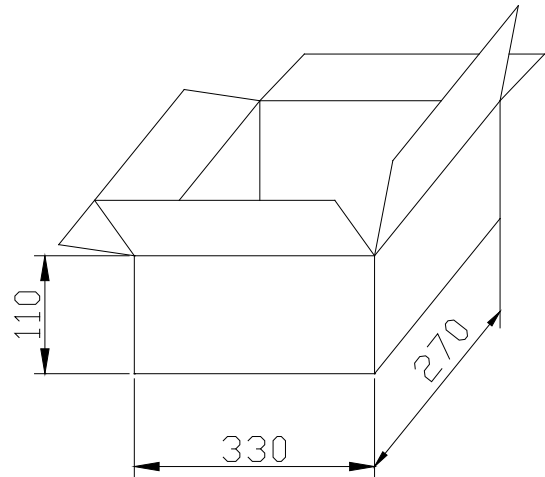
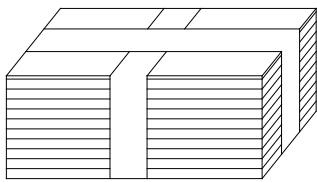
Soberton Inc.

PACKING

100PCS



100 X 10 = 1000 PCS



1000 X 5 = 5000 PCS

