



Chipsmall Limited consists of a professional team with an average of over 10 year of expertise in the distribution of electronic components. Based in Hongkong, we have already established firm and mutual-benefit business relationships with customers from,Europe,America and south Asia,supplying obsolete and hard-to-find components to meet their specific needs.

With the principle of “Quality Parts,Customers Priority,Honest Operation,and Considerate Service”,our business mainly focus on the distribution of electronic components. Line cards we deal with include Microchip,ALPS,ROHM,Xilinx,Pulse,ON,Everlight and Freescale. Main products comprise IC,Modules,Potentiometer,IC Socket,Relay,Connector.Our parts cover such applications as commercial,industrial, and automotives areas.

We are looking forward to setting up business relationship with you and hope to provide you with the best service and solution. Let us make a better world for our industry!



## Contact us

Tel: +86-755-8981 8866 Fax: +86-755-8427 6832

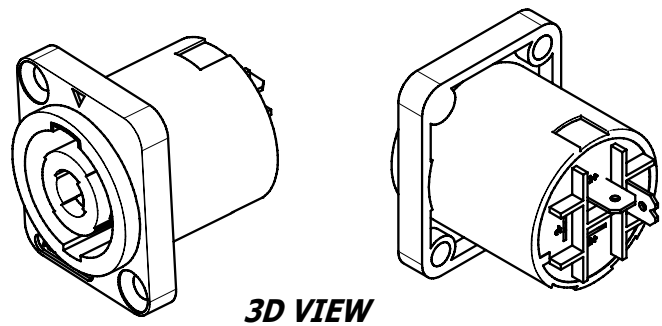
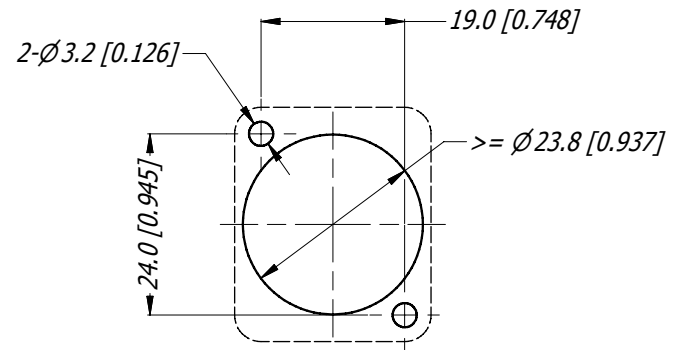
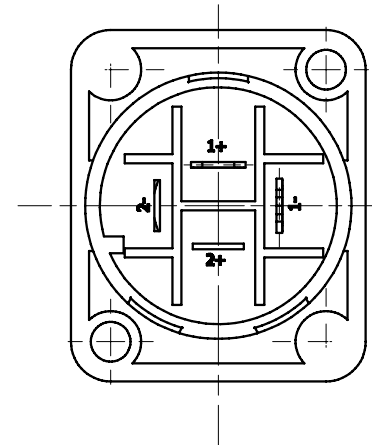
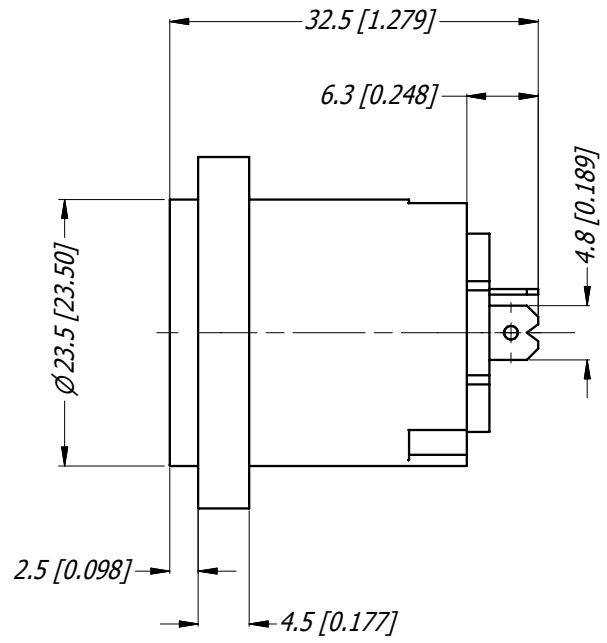
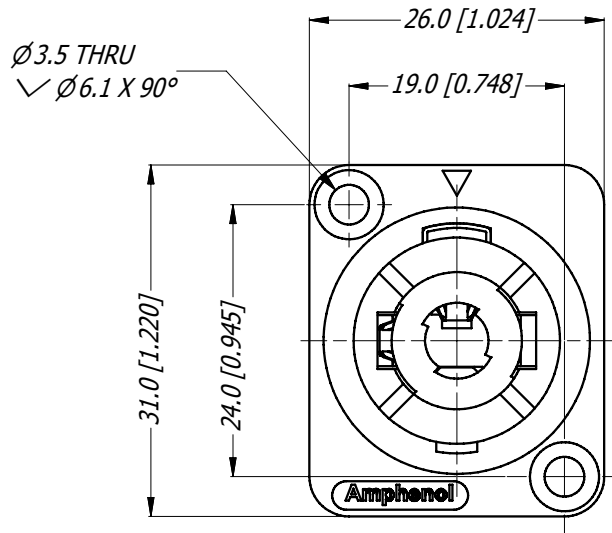
Email & Skype: info@chipsmall.com Web: www.chipsmall.com

Address: A1208, Overseas Decoration Building, #122 Zhenhua RD., Futian, Shenzhen, China



6 5 4 3 2 1  
 LEGEND  $\diamond$  = KEY PRODUCT CHARACTERISTICS

REVISION HISTORY				
REV	DESCRIPTION	BY	DATE	ECN
0	FIRST ISSUE	H.H	14/02/11	8990



**PANEL CUTOUT (1:1)**

UNLESS OTHERWISE SPECIFIED TOLERANCE TO BE		THIS DOCUMENT IS THE PROPERTY OF AMPHENOL AUSTRALIA PTY. LTD. NO PART THEREOF MAY BE REPRODUCED AND USED WITHOUT THE PRIOR WRITTEN CONSENT OF THE OWNER				<b>Amphenol</b> Amphenol Australia Pty.Ltd, 2 Fiveways Blvd, Keysborough, VIC 3173	
LINEAR	ANGULAR	MATERIAL: <b>REFER TO COMPONENTS</b>	DRN: HH	DATE: 10/02/11	TITLE: <b>SP SERIES CONNECTOR LOUDSPEAKER 2 POLE, SOLDER</b>		PART No. <b>SP-2-MD</b>
X ± 0.5	X° ± 1	FINISH:	CKD: TN	DATE: 14/02/11	DRAWING No.		SHEET
X.X ± 0.1	X.X° ± 30°	DO NOT SCALE	APP'D: PM	DATE: 14/02/11	55010735-000-2		2/2
X.XX ± 0.05	X.XX° ± 15°	DIMENSIONS IN MILIMETRES	SCALE: <b>3:2</b>	SIZE: <b>A4</b>	CAD FILE: 55010735000210		
BREAK ALL SHARP EDGES AND REMOVE ALL BURRS		THIRD ANGLE PROJECTION					