



Chipsmall Limited consists of a professional team with an average of over 10 year of expertise in the distribution of electronic components. Based in Hongkong, we have already established firm and mutual-benefit business relationships with customers from,Europe,America and south Asia,supplying obsolete and hard-to-find components to meet their specific needs.

With the principle of “Quality Parts,Customers Priority,Honest Operation,and Considerate Service”,our business mainly focus on the distribution of electronic components. Line cards we deal with include Microchip,ALPS,ROHM,Xilinx,Pulse,ON,Everlight and Freescale. Main products comprise IC,Modules,Potentiometer,IC Socket,Relay,Connector.Our parts cover such applications as commercial,industrial, and automotives areas.

We are looking forward to setting up business relationship with you and hope to provide you with the best service and solution. Let us make a better world for our industry!



Contact us

Tel: +86-755-8981 8866 Fax: +86-755-8427 6832

Email & Skype: info@chipsmall.com Web: www.chipsmall.com

Address: A1208, Overseas Decoration Building, #122 Zhenhua RD., Futian, Shenzhen, China





soberton inc.

SP DYNAMIC SPEAKER UNIT

Acoustic Product Specification

Product Number: SP-4510



Release | Revision: D/2018

CONTENTS

This document contains the technical specifications for the dynamic speaker unit for mobile telephones.

Page 1

Speaker Electroacoustic Characteristics

General Specifications

Page 2

Reliability Tests

Page 3

Dimensions

Page 4

Measuring Method

Block Diagram For Measurement Method

Page 5

Frequency Response Curve

Page 6

Packing

Speaker Electroacoustic Characteristics

Sound Pressure Level

82±3dB SPL @0.6, 0.8, 1.0 and 1.2KHz on average (0dB SPL=20µPa)
Measuring condition: 1W (Sine wave) 10cm measured with baffle shown in Fig 1

Frequency Range

F0 Hz ~ 6KHz

Response Frequency

700±20%Hz

Input Power (Nominal and Maximum)

Rated Noise Power: 0.3W

Short Term Maximum Power: 3.0W must be normal at a white noise for one minute

Buzzer and Rattles

Should not be audible at 1.09 V sine wave between F0 ~ 20KHz

Polarity

When positive voltage is applied to the terminal marked (+), diaphragm should move to the front.

Distortion

Less than 10% @1KHz, 0.1M, 1.0W, frequency range, input level up to 2.0 Vrms

General Specifications

Operating Temperature Range

-30°C~+70°C

Storage Temperature Range

-40°C~+85°C

Standard Test Conditions

Temperature 17°C~25°C

Relative Humidity 45%~80%(RH)

Impedance

4±15%Ω

Weight

15.5g±8%

Dimension

45.0 x 10.0mm

IP Level

IP50



soberton inc.

SP DYNAMIC SPEAKER UNIT

Acoustic Product Specification

Product Number: SP-4510



Release | Revision: D/2018

CONTENTS

This document contains the technical specifications for the dynamic speaker unit for mobile telephones.

Page 1

Speaker Electroacoustic Characteristics

General Specifications

Page 2

Reliability Tests

Page 3

Dimensions

Page 4

Measuring Method

Block Diagram For Measurement Method

Page 5

Frequency Response Curve

Page 6

Packing

Reliability Tests

After these test, the change of S.P.L shall be within ± 3 dB

High Temperature Test

High Temperature $+70\pm 3^{\circ}\text{C}$

Duration 96 hours

Low Temperature Test

Low Temperature $-30\pm 3^{\circ}\text{C}$

Duration 96 hours

Humidity Test

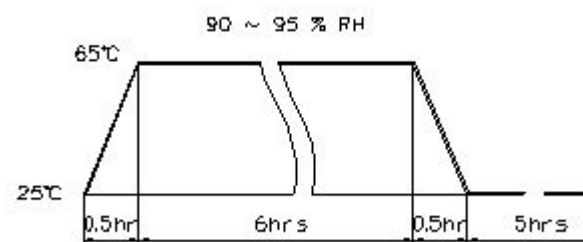
Temperature $+30\pm 3^{\circ}\text{C}$

Relative Humidity 92%~95%

Duration 96 hours

Temperature/Humidity Cycle Test

The part will be subjected 5 cycles. One cycle shall be 6 hours and consist of



Drop Test

Drop the speakers contained in normal box onto the board 40mm thick 10 times from the height of 75cm.

Vibration Test

10Hz ~ 55Hz ~ 10Hz sine-wave sweep 15min. 5G (constant) X, Y, Z 3 direction, 2 hours each, a total 6 hours.

Load Test

Rated Power White-Noise is applied for 96hours at room temp



soberton inc.

SP DYNAMIC SPEAKER UNIT

Acoustic Product Specification

Product Number: SP-4510



Release | Revision: D/2018

CONTENTS

This document contains the technical specifications for the dynamic speaker unit for mobile telephones.

Page 1

Speaker Electroacoustic Characteristics

General Specifications

Page 2

Reliability Tests

Page 3

Dimensions

Page 4

Measuring Method

Block Diagram For Measurement Method

Page 5

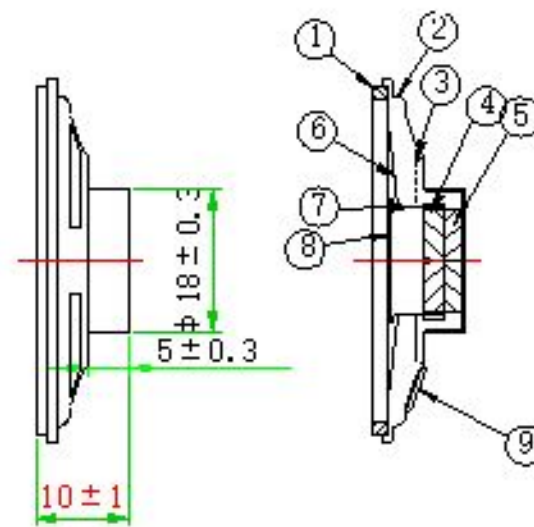
Frequency Response Curve

Page 6

Packing

Dimensions

Tolerance: ± 0.5 (unit: mm)



No.	Part Name	Material	Quantity
1	Gasket	Paper	1
2	Frame	SPCC	1
3	Damper	Cloth	1
4	Plate	SPCC	1
5	Magnet	Nd Fe B	1
6	Cone	PET	1
7	Voice coil	PL+Cu	1
8	Dust cap	PET	1
9	Terminals	Paper + steel	1



soberton inc.

SP DYNAMIC SPEAKER UNIT

Acoustic Product Specification

Product Number: SP-4510



Release | Revision: D/2018

CONTENTS

This document contains the technical specifications for the dynamic speaker unit for mobile telephones.

Page 1

Speaker Electroacoustic Characteristics

General Specifications

Page 2

Reliability Tests

Page 3

Dimensions

Page 4

Measuring Method

Block Diagram For Measurement Method

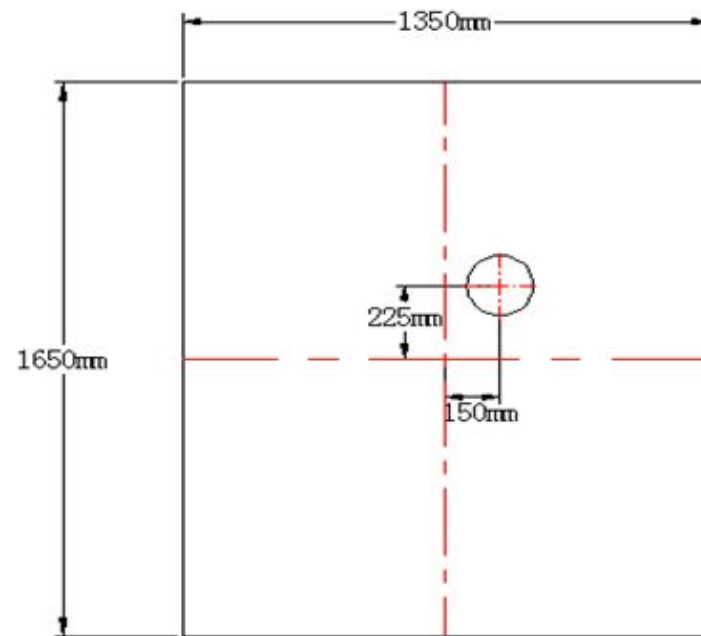
Page 5

Frequency Response Curve

Page 6

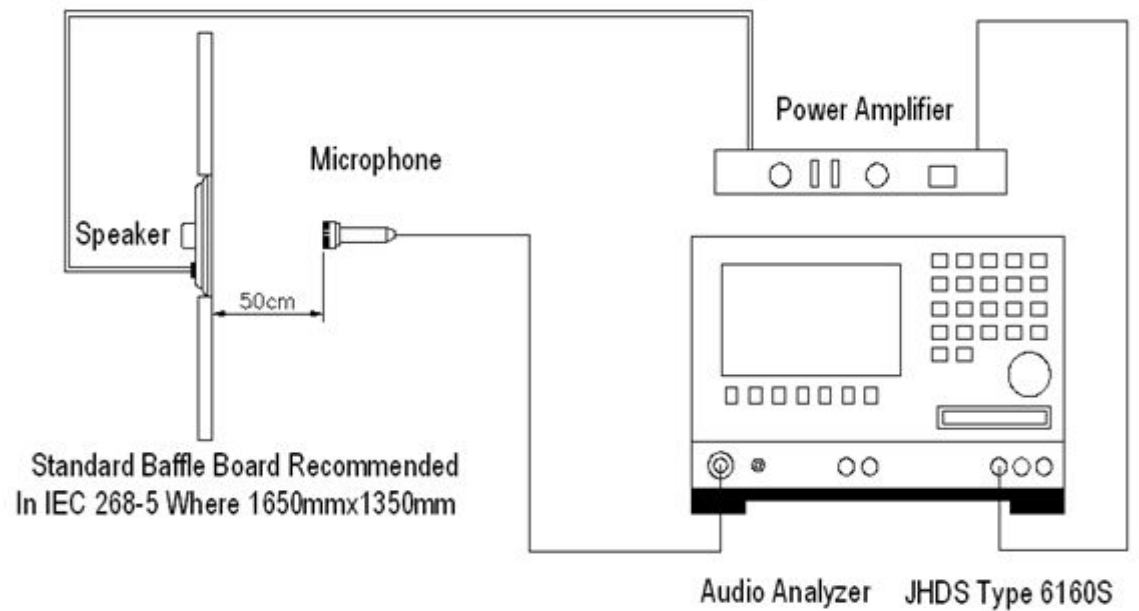
Packing

Measuring Method (Fig.1)



Block Diagram For Measurement Method

Standard test condition of speaker





soberton inc.

SP DYNAMIC SPEAKER UNIT

Acoustic Product Specification

Product Number: SP-4510



Release | Revision: D/2018

CONTENTS

This document contains the technical specifications for the dynamic speaker unit for mobile telephones.

Page 1

Speaker Electroacoustic Characteristics

General Specifications

Page 2

Reliability Tests

Page 3

Dimensions

Page 4

Measuring Method

Block Diagram For Measurement Method

Page 5

Frequency Response Curve

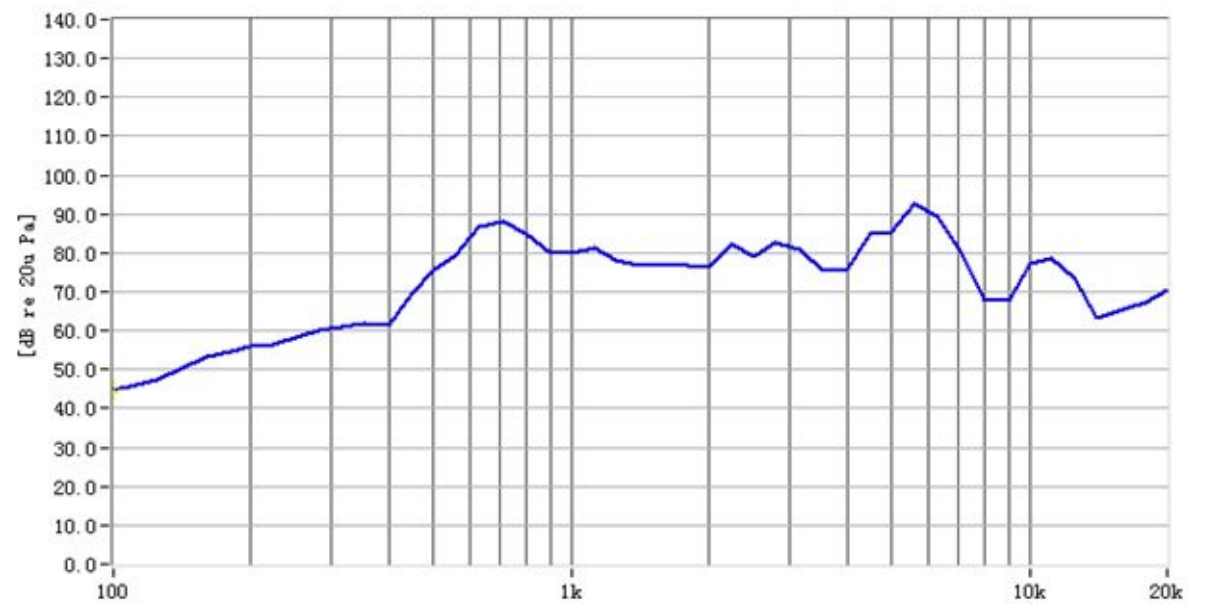
Page 6

Packing

Frequency Response Curve (Fig. 2)

The swept sine-wave frequency response of a loudspeaker should ideally not deviate more than indicated.

XY Graph 6





soberton inc.

SP DYNAMIC SPEAKER UNIT

Acoustic Product Specification

Product Number: SP-4510



Release | Revision: D/2018

CONTENTS

This document contains the technical specifications for the dynamic speaker unit for mobile telephones.

Page 1

Speaker Electroacoustic Characteristics

General Specifications

Page 2

Reliability Tests

Page 3

Dimensions

Page 4

Measuring Method

Block Diagram For Measurement Method

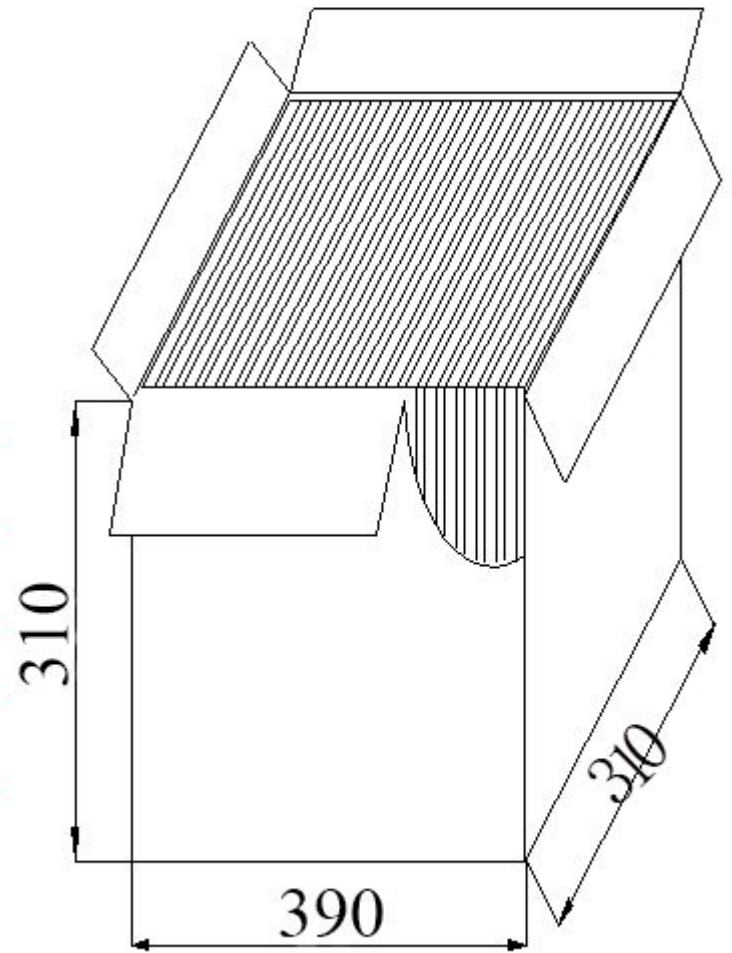
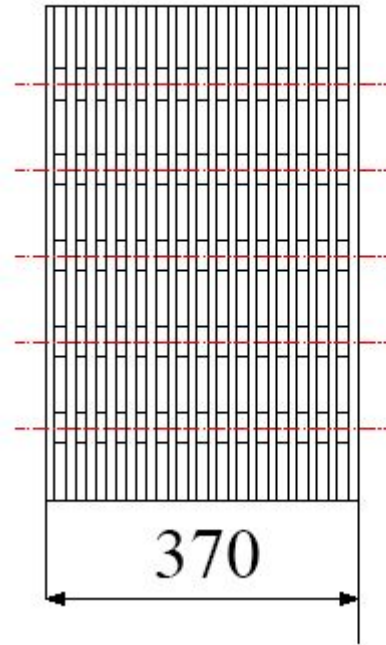
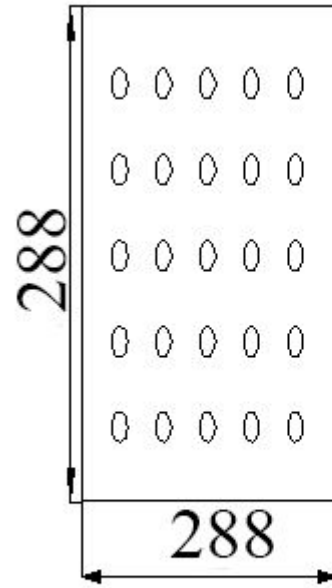
Page 5

Frequency Response Curve

Page 6

Packing

Packing



Remark:

- 1.) Each clap board: 25pcs
- 2.) Each carton: 28pcs clap board
- 3.) Each carton: 700pcs/carton
- 4.) N.W: 9.8KG, G.W: 11.8KG
- 5.) Carton size: 390 x 310 x 310mm 1pcs