



Chipsmall Limited consists of a professional team with an average of over 10 year of expertise in the distribution of electronic components. Based in Hongkong, we have already established firm and mutual-benefit business relationships with customers from,Europe,America and south Asia,supplying obsolete and hard-to-find components to meet their specific needs.

With the principle of “Quality Parts,Customers Priority,Honest Operation,and Considerate Service”,our business mainly focus on the distribution of electronic components. Line cards we deal with include Microchip,ALPS,ROHM,Xilinx,Pulse,ON,Everlight and Freescale. Main products comprise IC,Modules,Potentiometer,IC Socket,Relay,Connector.Our parts cover such applications as commercial,industrial, and automotives areas.

We are looking forward to setting up business relationship with you and hope to provide you with the best service and solution. Let us make a better world for our industry!



## Contact us

Tel: +86-755-8981 8866 Fax: +86-755-8427 6832

Email & Skype: info@chipsmall.com Web: www.chipsmall.com

Address: A1208, Overseas Decoration Building, #122 Zhenhua RD., Futian, Shenzhen, China





**MODEL:** SP-7721  
**PRODUCT:** Dynamic Speaker  
**EDITION:** A/2017

---

## THIS SPECIFICATION COVERS OUR PRODUCT OF DYNAMIC SPEAKER

### SPEAKER ELECTROACOUSTIC CHARACTERISTICS

sound pressure level	92±3dB (0.1W/0.1M) @AVE 0.6KHz, 0.8KHz, 1.0KHz,1.2KHz
frequency response curve	As shown in Fig.3
resonance frequency (F0)	400±20% Hz
rated noise power	1.0W
short-term max. power	2.0W
frequency range	F0~4KHz.
test setup	Measuring conditions and procedures shown in Fig 1
AC impedance	8±15%Ω
magnet	Rare earth permanent (NdFeB) magnet φ 32x18x6mm
distortion	Less Than 5% @1KHz Input Rated Power
buzz, rattle, etc.	Not audible from F0 to 20KHz with 2.83V sine wave input
polarity	When positive voltage is applied to the terminal marked (+), diaphragm should be moved to the front.
dimensions	ø 77.0 x 21.0mm
weight	85g ±8%

### GENERAL REQUIREMENTS

operating temperature range	-20°C ~ +65°C
storage temperature range	-30°C ~ +80°C
standard test conditions	'
temperature	5°C ~ 35°C
relative humidity	45% ~ 85%(RH)
air pressure	860 mbar ~ 1060 mbar



**MODEL:** SP-7721  
**PRODUCT:** Dynamic Speaker  
**EDITION:** A/2017

**RELIABILITY TESTS**

After these tests , the change of S.P.L will be within  $\pm 3\text{dB}$

**HIGH TEMPERATURE TEST**

high temperature	$+70^{\circ}\text{C}\pm 3^{\circ}\text{C}$
duration	96 hours (leave 6 hours in normal temperature and then check)

**LOW TEMPERATURE TEST**

low temperature	$-30^{\circ}\text{C}\pm 3^{\circ}\text{C}$
duration	96 hours (leave 6 hours in normal temperature and then check)

**HUMIDITY TEST**

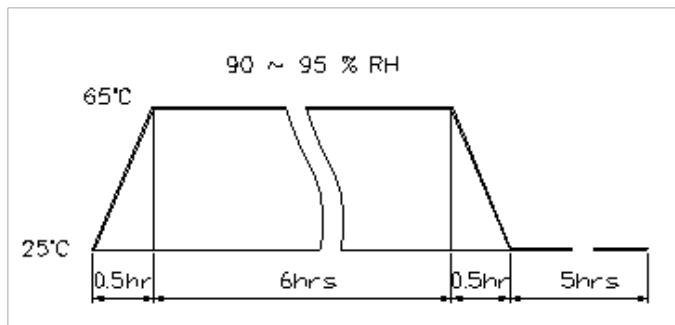
temperature	$+30^{\circ}\text{C}\pm 3^{\circ}\text{C}$
relative humidity	92%~95%
duration	96 hours (leave 3 hours in normal temperature and then check)

**VIBRATION**

10Hz ~55Hz ~10Hz sine-wave sweep 15 minutes 5G(constant)	
X, Y, Z	3 directions, 2 hours each, total 6 hours

**TEMP./HUMIDITY CYCLE**

The part will be subjected to 5 cycles. One cycle shall be 6 hours and consist of:



**DROP TEST**

Drop speakers contained in normal box on to the board 40mm thick 10 times from the height of 75cm

**LOAD TEST**

Rated Power White noise is applied for 24 hours at room temp.

**LEAD WIRE PULL STRENGTH**

The pull force will be applied to double lead wire:

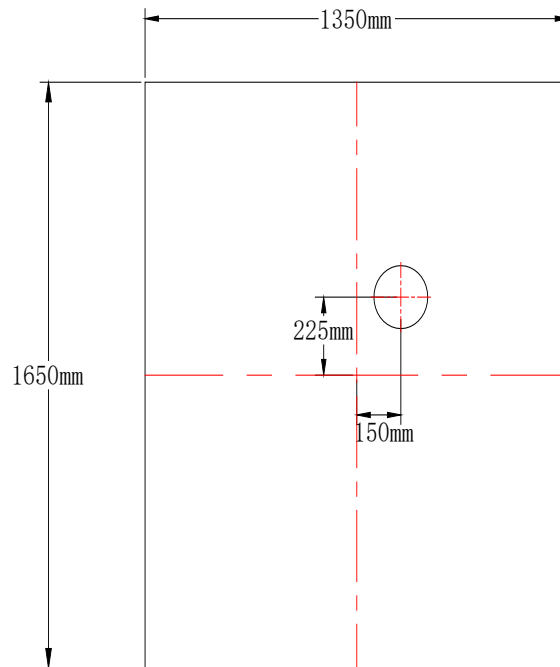
Horizontal 3.0N (0.306kg) for 30 seconds

Vertical 2.0N (0.204kg) for 30 seconds



**MODEL:** SP-7721  
**PRODUCT:** Dynamic Speaker  
**EDITION:** A/2017

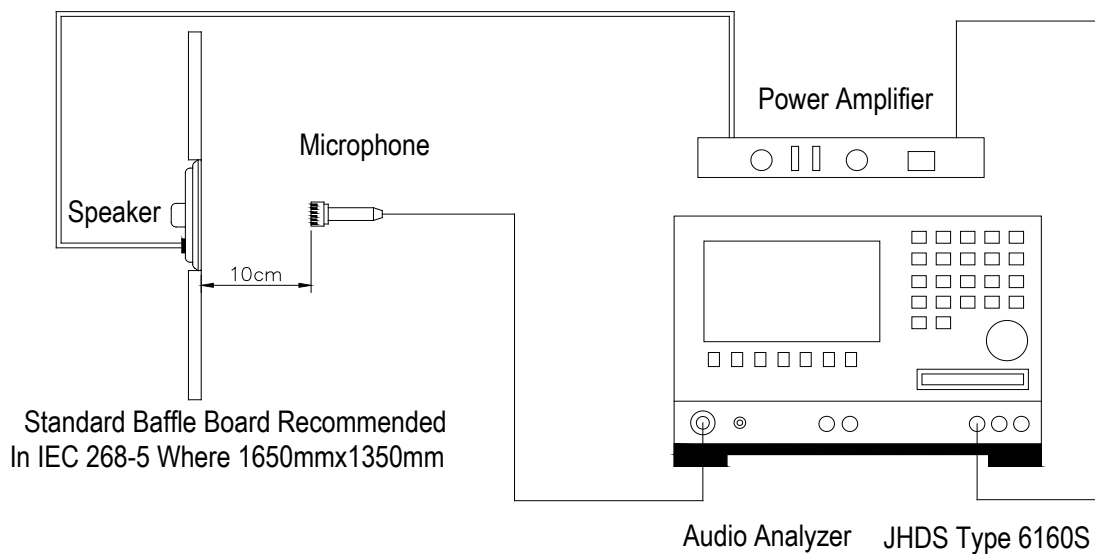
**MEASURING METHOD (SPEAKER MODE)** (Fig. 1)



**Standard baffle**

**BLOCK DIAGRAM FOR MEASUREMENT METHOD** (Fig. 2)

**Standard test condition of speaker**





**MODEL:** SP-7721  
**PRODUCT:** Dynamic Speaker  
**EDITION:** A/2017

**FREQUENCY RESPONSE CURVE** (Fig. 3)

The swept sine-wave frequency response of a loudspeaker should ideally not deviate more than indicated.

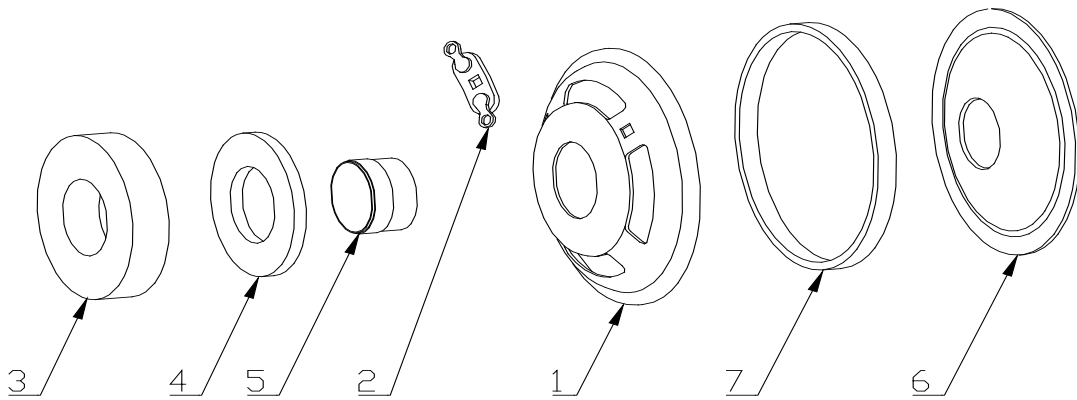
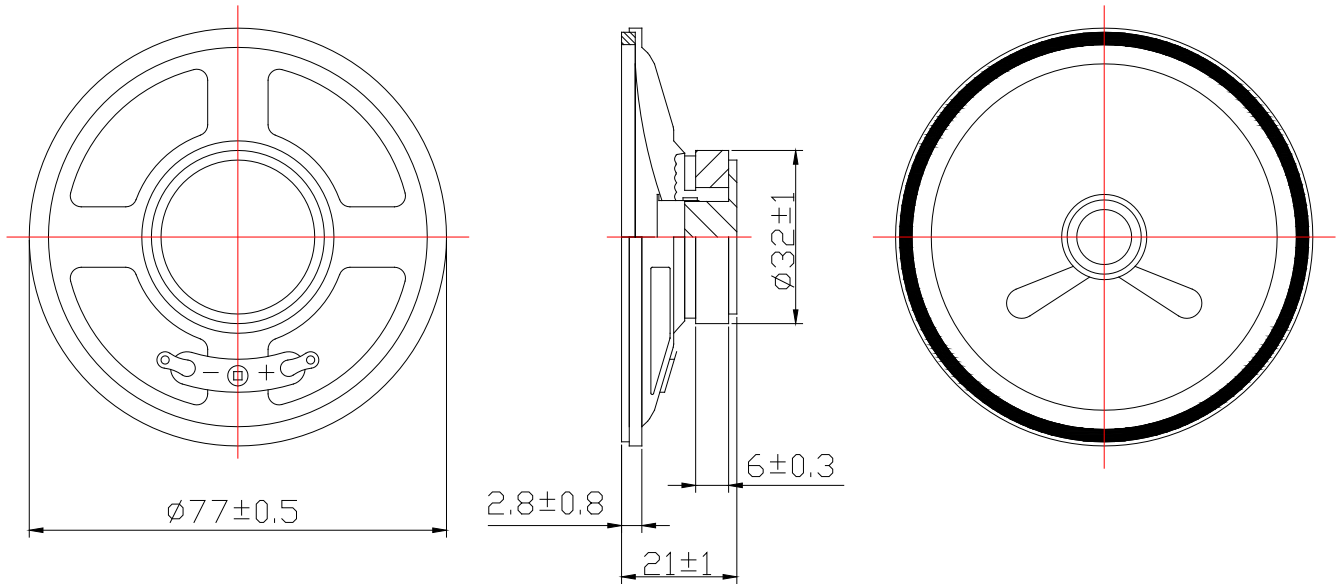




**MODEL:** SP-7721  
**PRODUCT:** Dynamic Speaker  
**EDITION:** A/2017

**DIMENSIONS**

Tolerance:  $\pm 0.5$  unit: mm



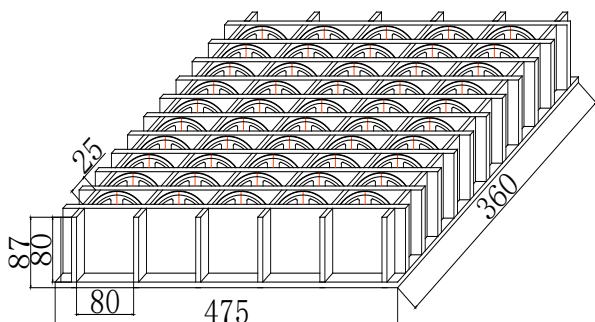
no	item	material	quantity
1	Frame	1	SPCC
2	PCB Terminal	1	Paper+meter
3	Magnet	1	NdFeB
4	Plate	1	SPCC
5	Voice Coil	1	Paper+Cu
6	Diaphragm	1	Paper
7	Casket	1	Paper



**MODEL:** SP-7721  
**PRODUCT:** Dynamic Speaker  
**EDITION:** A/2017

Soberton Inc.

## PACKING



1. Each clapboard 50pcs,  
each carton 4 clapboards,  
200pcs/carton  
N.W: 11 KG, G.W:13 KG
2. Corrugated paper: 475\*360mm 1 pcs
3. Carton size:490\*375\*375mm 1 pcs

