



Chipsmall Limited consists of a professional team with an average of over 10 year of expertise in the distribution of electronic components. Based in Hongkong, we have already established firm and mutual-benefit business relationships with customers from,Europe,America and south Asia,supplying obsolete and hard-to-find components to meet their specific needs.

With the principle of “Quality Parts,Customers Priority,Honest Operation,and Considerate Service”,our business mainly focus on the distribution of electronic components. Line cards we deal with include Microchip,ALPS,ROHM,Xilinx,Pulse,ON,Everlight and Freescale. Main products comprise IC,Modules,Potentiometer,IC Socket,Relay,Connector.Our parts cover such applications as commercial,industrial, and automotives areas.

We are looking forward to setting up business relationship with you and hope to provide you with the best service and solution. Let us make a better world for our industry!



Contact us

Tel: +86-755-8981 8866 Fax: +86-755-8427 6832

Email & Skype: info@chipsmall.com Web: www.chipsmall.com

Address: A1208, Overseas Decoration Building, #122 Zhenhua RD., Futian, Shenzhen, China



rfid enabled



HF Antenna



▼ OEM HF 13.56 MHz Antenna

FEATURES:

- Compatible with nearly all 13.56 MHz RFID readers
- Standard SMA connection

BENEFITS:

- Easy to integrate
- Can extend range of some RFID readers
- OEM Ready

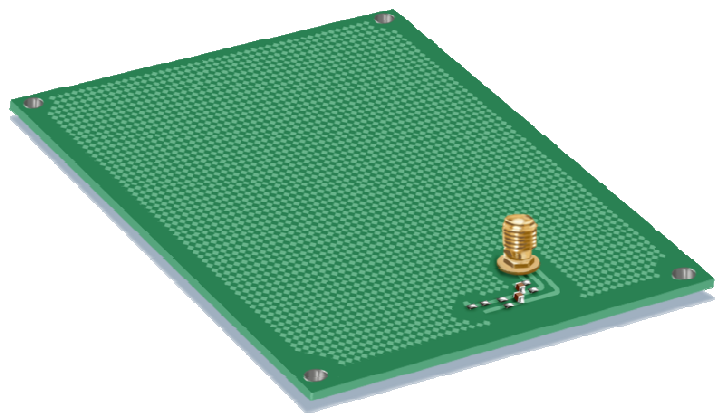
Product Overview

The Skyetek RFID HF Antenna for OEMs allows you to quickly and cost-effectively supplement your RFID application by adding additional reading points. For RFID systems in the HF frequency band (13.56 MHz), this can save significant development and production costs.

All antennas are equipped with SMA female connectors for easy integration and have 50 Ohms impedance.

Applications

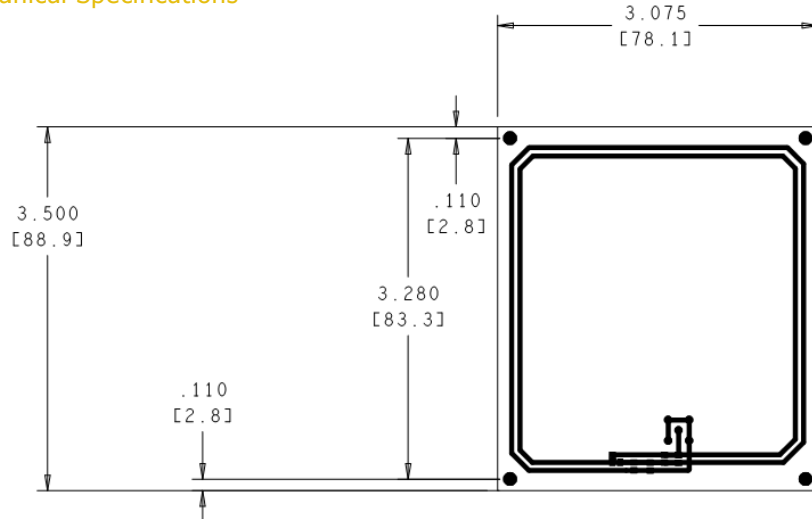
The Skyetek HF Antenna can be used for any OEM applications in which a larger read range needs to be achieved than can be realized with an internal antenna, or any application that uses a multiplexer to connect multiple antennas to one RFID reader.



About Skyetek:

SkyeTek delivers stand-alone and embedded reader solutions that make RFID work easily, reliably, and economically for enterprises and OEMs. SkyeTek offers a complete line of both HF (High Frequency, 13.56 MHz) and UHF (Ultra High Frequency, 860 - 960 MHz) readers that can be used in a multitude of unique applications. Contact Sales today to see how we can make RFID work for your application. SkyeTek is a privately held, venture-backed company headquartered in Denver, Colorado, with sales operations in North America, Europe and Asia. For more information, visit www.skyetek.com.

Mechanical Specifications



Operating Frequency
13.56 MHz

RF Output Power
1.0 W Max

Operating Temperature
0 to 55°C

Physical Dimensions
Width: 3.075 in (78.1 mm)
Length: 3.500 in (88.9 mm)
Height: 0.375 in (9.5mm)

Connector Type
SMA female
Impedance
50 Ohms

Storage Temperature
-20 to 70°C

Weight
28g

For more information:

1525 Market Street, Ste 200
Denver, Colorado 80202 USA
ph: 720.328.3425
www.skyetek.com

Other Offerings from SkyeTek

SkyeTek provides a variety of reader technology at both 13.56 MHz (HF) and ~900 MHz (UHF). The M1, also part of the SkyeModule HF line, is slightly larger than the M1-Mini and adds 8 GPIO pins and native support for RS232 host interface. ReaderDNA, a comprehensive reference design, is available for component level integration of the technology including complete design files, BOM, and test fixture. ReaderWare, an open-architected software suite residing on all SkyeTek's modules, provides intelligence for the RFID reader. The SkyeModule M9 is a low power, compact, UHF reader compatible with EPC and ISO transponders. All SkyeModules are controlled via the SkyeTek Protocol, a powerful but simple communication protocol that grants the user access to all features of an RFID transponder. Further, they have been designed with flexible and modular embedded software that allows one to select only the desired features.

