



Chipsmall Limited consists of a professional team with an average of over 10 year of expertise in the distribution of electronic components. Based in Hongkong, we have already established firm and mutual-benefit business relationships with customers from,Europe,America and south Asia,supplying obsolete and hard-to-find components to meet their specific needs.

With the principle of "Quality Parts,Customers Priority,Honest Operation,and Considerate Service",our business mainly focus on the distribution of electronic components. Line cards we deal with include Microchip,ALPS,ROHM,Xilinx,Pulse,ON,Everlight and Freescale. Main products comprise IC,Modules,Potentiometer,IC Socket,Relay,Connector.Our parts cover such applications as commercial,industrial, and automotives areas.

We are looking forward to setting up business relationship with you and hope to provide you with the best service and solution. Let us make a better world for our industry!



Contact us

Tel: +86-755-8981 8866 Fax: +86-755-8427 6832

Email & Skype: info@chipsmall.com Web: www.chipsmall.com

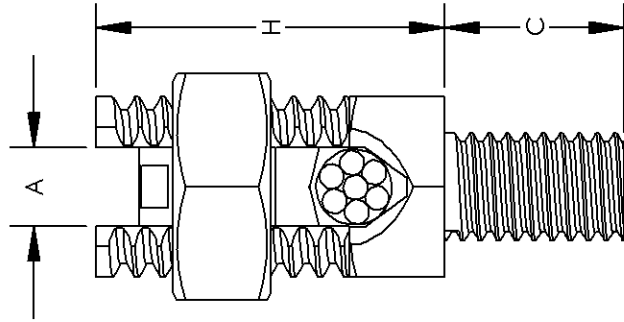
Address: A1208, Overseas Decoration Building, #122 Zhenhua RD., Futian, Shenzhen, China



THIS COPY IS PROVIDED ON A RESTRICTED BASIS AND IS NOT TO BE USED IN ANY WAY DETRIMENTAL TO THE INTERESTS OF PANDUIT CORP.



LISTED
SUITABLE FOR
DIRECT BURIAL



CATALOG NUMBER	A CONDUCTOR RANGE	WIRE DIAMETER RANGE	STUD SIZE	HEX NUT		C		H		BODY HEX	
				IN	MM	IN	MM	IN	MM	IN	MM
SPI-8-C	12 SOL. - 8 STR.	.081 - .146	1/4-20	0.50	13	0.50	13	0.63	16	0.38	9
SPI-8L-C	12 SOL. - 8 STR.	.081 - .146	1/4-20	0.50	13	1.00	25	0.63	16	0.38	9
SPI-7-C	8 SOL. - 7 STR.	.128 - .164	1/4-20	0.69	17	0.50	13	0.88	22	0.50	13
SPI-7L-C	8 SOL. - 7 STR.	.128 - .164	1/4-20	0.69	17	1.00	25	0.88	22	0.50	13
SPI-4-C	10 SOL. - 4 STR.	.102 - .232	5/16-18	0.75	19	0.56	14	0.94	24	0.56	14
SPI-4L-C	10 SOL. - 4 STR.	.102 - .232	5/16-18	0.75	19	1.00	25	0.94	24	0.56	14
SPI-3-C	6 SOL. - 3 STR.	.162 - .260	3/8-16	0.81	21	0.63	16	1.06	27	0.63	16
SPI-3L-C	6 SOL. - 3 STR.	.162 - .260	3/8-16	0.81	21	1.13	29	1.06	27	0.63	16
SPI-2-C	4 STR. - 2 STR.	.232 - .292	3/8-16	0.88	22	0.63	16	1.06	27	0.69	17
SPI-2L-C	4 STR. - 2 STR.	.232 - .292	3/8-16	0.88	22	1.13	29	1.06	27	0.69	17
SPI-1/0-L	6 SOL. - 1/0 STR.	.162 - .375	1/2-13	1.00	25	0.75	19	1.31	33	0.75	19
SPI-1/0L-L	6 SOL. - 1/0 STR.	.162 - .375	1/2-13	1.00	25	1.25	32	1.31	33	0.75	19
SPI-2/0-Q	1 SOL. - 2/0 STR.	.289 - .419	1/2-13	1.13	29	0.75	19	1.44	37	0.88	22
SPI-2/0L-Q	1 SOL. - 2/0 STR.	.289 - .419	1/2-13	1.13	29	1.25	32	1.44	37	0.88	22
SPI-4/0-Q	3/0 SOL. - 4/0 STR.	.410 - .528	5/8-11	1.38	35	1.00	25	1.69	43	1.13	29
SPI-4/0L-Q	3/0 SOL. - 4/0 STR.	.410 - .528	5/8-11	1.38	35	1.50	38	1.69	43	1.13	29
SPI-350-12	4/0 STR. - 350 kcmil	.528 - .682	5/8-11	1.50	38	1.00	25	2.00	51	1.25	32
SPI-350L-12	4/0 STR. - 350 kcmil	.528 - .682	5/8-11	1.50	38	1.50	38	2.00	51	1.25	32
SPI-500-12	250 kcmil - 500 kcmil	.575 - .815	3/4-10	1.81	46	1.38	35	2.31	59	1.50	38
SPI-500L-12	250 kcmil - 500 kcmil	.575 - .815	3/4-10	1.81	46	1.75	44	2.31	59	1.50	38

NOTES:

1. MATERIAL: HIGH COPPER CONTENT
HARD DRAWN ROD
2. USED FOR CONNECTING CONDUCTORS
TO VARIOUS SIZES OF TAPPED HOLE

REV	DATE	BY	CHK	DESCRIPTION	ECN	SCALE	N/A	DRAWING NO / CAD FILE
02	10/08	JHNU	JHNU	REVISED UL LISTING CONVERTED DWG. TO SOLIDWORKS				
01	9/97	JKD		REMOVED SSS-11, SSS-11 AT, SSS-12, SSS-12 AT REPLACED CATALOG NUMBERS WITH FINISHED PART NUMBERS				
00	7/97	TM		DWG. RELEASED				



PANDUIT CORP. TINLEY PARK, ILLINOIS

BRONZE SERVICE POST CONNECTORS, TYPE SPI
CUSTOMER DRAWING

SCALE N/A DRAWING NO / CAD FILE C41213_02