



Chipsmall Limited consists of a professional team with an average of over 10 year of expertise in the distribution of electronic components. Based in Hongkong, we have already established firm and mutual-benefit business relationships with customers from,Europe,America and south Asia,supplying obsolete and hard-to-find components to meet their specific needs.

With the principle of “Quality Parts,Customers Priority,Honest Operation,and Considerate Service”,our business mainly focus on the distribution of electronic components. Line cards we deal with include Microchip,ALPS,ROHM,Xilinx,Pulse,ON,Everlight and Freescale. Main products comprise IC,Modules,Potentiometer,IC Socket,Relay,Connector.Our parts cover such applications as commercial,industrial, and automotives areas.

We are looking forward to setting up business relationship with you and hope to provide you with the best service and solution. Let us make a better world for our industry!



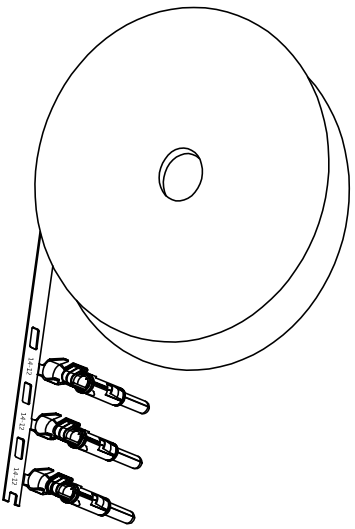
Contact us

Tel: +86-755-8981 8866 Fax: +86-755-8427 6832

Email & Skype: info@chipsmall.com Web: www.chipsmall.com

Address: A1208, Overseas Decoration Building, #122 Zhenhua RD., Futian, Shenzhen, China



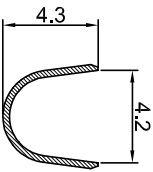


CONTACT ORIENTATION ON ROLL

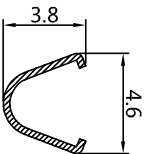
NOTES : (UNLESS OTHERWISE SPECIFIED)

1. MATERIAL :
 - 1.1. CONTACT BODY : COPPER ALLOY.
 - 1.2. OUTER SPRING : STAINLESS STEEL.
2. SPECIFICATIONS :
 - 2.1 CURRENT RATING : 23A MAX.
 - 2.2 TERMINATION TYPE : CRIMPING.
 - 2.3 WIRE RANGE : 14~12AWG.
 - 2.4 WIRE INSULATION DIA(MAX) : ϕ 4.3mm.
3. ROHS COMPLIANT.
4. ALL DIMENSIONS ARE FOR REFERENCE USE ONLY.

P/N	CONTACT PLATING(MATING AREA)
SP12A1T	TIN PLATING OVER NICKEL.
SP12A1F	GOLD FLASH PLATING OVER NICKEL.
SP12A1G10	10 μ "GOLD PLATING OVER NICKEL.
SP12A1G15	15 μ "GOLD PLATING OVER NICKEL.
SP12A1G30	30 μ "GOLD PLATING OVER NICKEL.

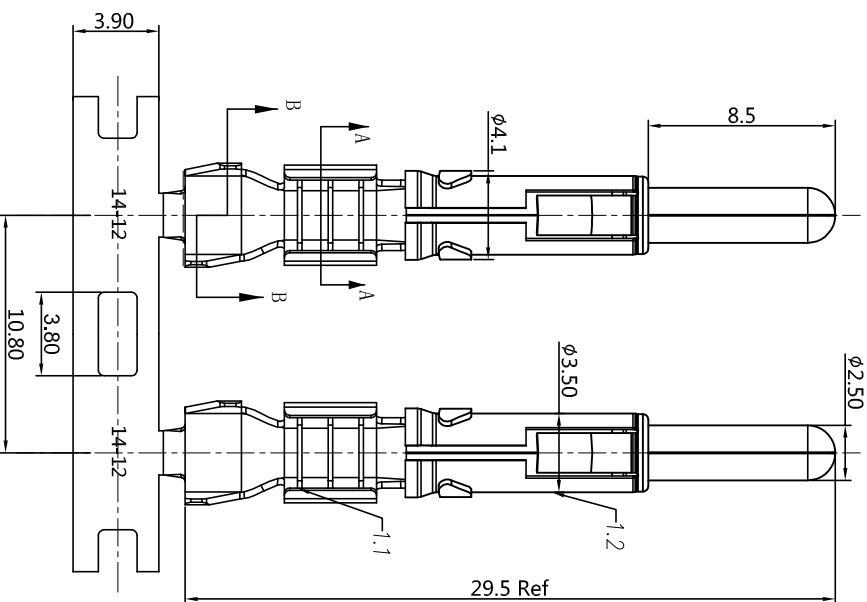


SECTION B-B



SECTION A-A

REVISITONS					
REV	ECO	DESCRIPTION	DATE	BY	APPR
B1	-	RELEASED DRAWING	JAN-18-2014	ARROW	TOMMY
B2	-	UPDATE DRAWING	NOV-09-2016	FLAN	TOMMY



QUANTITY	PART NUMBER	DESCRIPTION	ITEM

UNLESS OTHERWISE SPECIFIED			
1) All dimensions are in millimeters.	DRAWN	DATE	
2) Tolerances are as follows:	FLN	NOV-09-2016	
1 PL DEC 20-09 Fractions 1/16"	CHGERS	100	NOV-09-2016
3 PL DEC 20-09 Angles 1/16"	ENGINEER		
3) Note reference = Δ	APPROVAL	TOMMY	NOV-09-2016
MATERIAL SPECIFICATIONS:	CUSTOMER:		
PROCESS SPECIFICATIONS:			
TEST SPECIFICATIONS:			
TEST SPECIFICATIONS SUPERSEDES:			
SPECIFICATIONS AND PERFORMANCE DATA:			
THE MATERIAL CORPORATION NO RIGHTS OF REPRODUCTION ARE LITLED. ALL MANUFACTURING VARIATIONS:			
SCALE: NONE	SIZE	TYPE	REV
	B	C-	SP12A1XX
			B2

Amphenol
 Site Systems - www.amphenol-site.com
 44724 Morley Drive
 Clinton Township, MI 48036

ECO-MATE PIN CONTACT,
 STAMPED, 14-12AWG, 2.5mm CONTACT