



Chipsmall Limited consists of a professional team with an average of over 10 year of expertise in the distribution of electronic components. Based in Hongkong, we have already established firm and mutual-benefit business relationships with customers from,Europe,America and south Asia,supplying obsolete and hard-to-find components to meet their specific needs.

With the principle of “Quality Parts,Customers Priority,Honest Operation,and Considerate Service”,our business mainly focus on the distribution of electronic components. Line cards we deal with include Microchip,ALPS,ROHM,Xilinx,Pulse,ON,Everlight and Freescale. Main products comprise IC,Modules,Potentiometer,IC Socket,Relay,Connector.Our parts cover such applications as commercial,industrial, and automotives areas.

We are looking forward to setting up business relationship with you and hope to provide you with the best service and solution. Let us make a better world for our industry!



Contact us

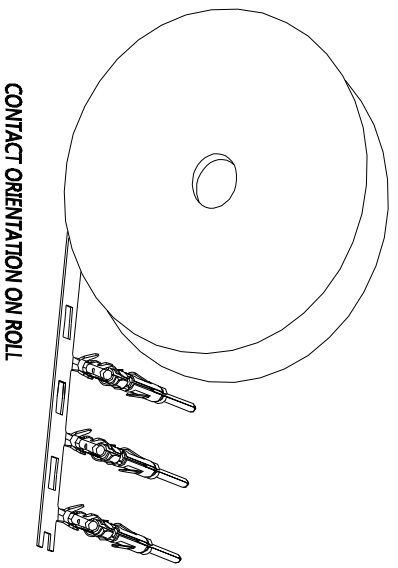
Tel: +86-755-8981 8866 Fax: +86-755-8427 6832

Email & Skype: info@chipsmall.com Web: www.chipsmall.com

Address: A1208, Overseas Decoration Building, #122 Zhenhua RD., Futian, Shenzhen, China



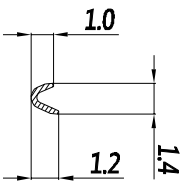
REVISIONS				
REV	ECO	DESCRIPTION	DATE	BY APPR
B1	-	RELEASED DRAWING	AUG-18-2014	BEN TOMMY



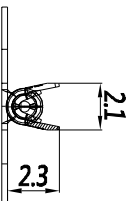
NOTES : (UNLESS OTHERWISE SPECIFIED)

1. MATERIAL :
 - 1.1. CONTACT BODY : COPPER ALLOY.
 - 1.2. OUTER SPRING : STAINLESS STEEL.
2. SPECIFICATIONS :
 - 2.1 CURRENT RATING : 5A MAX.
 - 2.2 TERMINATION TYPE : CRIMPING.
 - 2.3 WIRE RANGE : 30~28AWG.
 - 2.4 WIRE INSULATION DIA(MAX) : $\varnothing 2.6\text{mm}$.
3. ROHS COMPLIANT.
4. ALL DIMENSIONS ARE FOR REFERENCE USE ONLY.
5. AVAILABLE TOOLS :
 - 5.1 HAND CRIMPER : MFX-3954.
 - 5.2 CRIMP APPLICATOR : MFX-3957.
 - 5.3 EXTRACTION TOOL : QXR120.

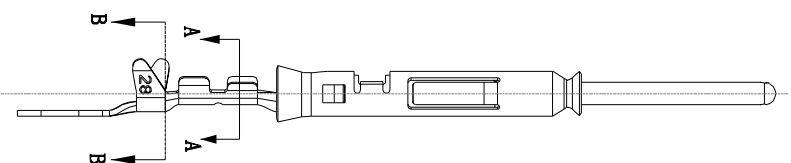
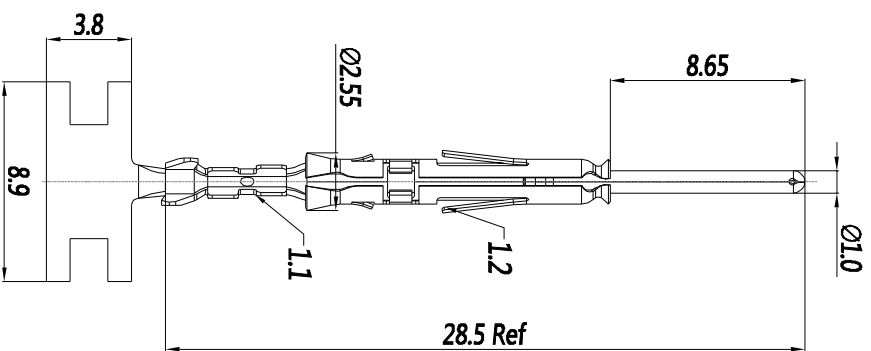
P/N	CONTACT PLATING(MATING AREA)
SP28W1T	TIN PLATING OVER NICKEL.
SP28W1F	GOLD FLASH PLATING OVER NICKEL.
SP28W1G5	5 μ "GOLD PLATING OVER NICKEL.
SP28W1G10	10 μ "GOLD PLATING OVER NICKEL.
SP28W1G15	15 μ "GOLD PLATING OVER NICKEL.
SP28W1G30	30 μ "GOLD PLATING OVER NICKEL.



SECTION A-A



SECTION B-B



QUANTITY	PART NUMBER	DESCRIPTION	ITER
		MATERIALS LIST	

UNLESS OTHERWISE SPECIFIED 1) ALL DIMENSIONS ARE IN MILLIMETERS. 2) TOLERANCES ARE AS SHOWN. 3) HOLE REFERENCE = Δ	SIGNATURES DRAWN: BEN CHECKED: ALG-17/14	DATE 11/27/14
PROCESS SPECIFICATIONS: 1) PL: DIPC 20-29 2) PL: DIPC 20-29 3) PL: DIPC 20-29	ENGINEER: APPROVAL:	CUSTOMER:
MATERIAL SPECIFICATIONS:		
THIS DRAWING IS SUPPLIED FOR INFORMATION ONLY. IT IS NOT TO BE USED FOR THE MANUFACTURE OF REPRODUCTION AND PERFORMANCE DATA. THE MANUFACTURER ASSUMES ALL RESPONSIBILITIES FOR THE MANUFACTURE OF REPRODUCTION AND PERFORMANCE DATA. ALL DIMENSIONS ARE IN MILLIMETERS UNLESS OTHERWISE SPECIFIED.		
ECO-MATE PIN CONTACT, STAMPED,30-28AWG, SIZE 20.	Shine Systems - www.amphenol-shine.com 44724 Monkey Drive Clinton Township, MI 48038	

SCALE: NONE	SIZE: C-	DWG NO: SP28W1XX	REVISION: B1
NEXT ASST:		SHEET 1 OF 1	