



Chipsmall Limited consists of a professional team with an average of over 10 year of expertise in the distribution of electronic components. Based in Hongkong, we have already established firm and mutual-benefit business relationships with customers from,Europe,America and south Asia,supplying obsolete and hard-to-find components to meet their specific needs.

With the principle of “Quality Parts,Customers Priority,Honest Operation,and Considerate Service”,our business mainly focus on the distribution of electronic components. Line cards we deal with include Microchip,ALPS,ROHM,Xilinx,Pulse,ON,Everlight and Freescale. Main products comprise IC,Modules,Potentiometer,IC Socket,Relay,Connector.Our parts cover such applications as commercial,industrial, and automotives areas.

We are looking forward to setting up business relationship with you and hope to provide you with the best service and solution. Let us make a better world for our industry!



## Contact us

Tel: +86-755-8981 8866 Fax: +86-755-8427 6832

Email & Skype: info@chipsmall.com Web: www.chipsmall.com

Address: A1208, Overseas Decoration Building, #122 Zhenhua RD., Futian, Shenzhen, China





## GENERAL DESCRIPTION

The **SP337E** is a dual mode serial transceiver containing both RS-232 and RS-485/422 line drivers and receivers. The RS-232 mode provides three drivers and five receivers to support all eight signals commonly used in the DB9 serial port connector (3TX/5RX). In RS-485 mode the device features two independent high speed RS-485/422 transmit and receive channels (2TX/2RX). The default RS-485 configuration is full-duplex, but half-duplex operation can be obtained by tying together the TX and RI pins, and the TXEN and RXEN signals.

The **SP337E** is pin compatible to Exar's SP334.

The **SP337EB** features a maximum data rate of 250kbps in RS-232 mode and a maximum data rate of 15Mbps in RS-485. However, the **SP337EU** features a maximum data rate of 1Mbps in RS-232 mode and a maximum data rate of 15Mbps in RS-485 mode.

The **Exar**-patented high efficiency charge pumps (5,306,954) deliver true RS-232 driver output voltages from a single power supply from 3.3V to 5V. Charge pump outputs are self-monitored to minimize power consumption. The **SP337E** requires only four 0.1 $\mu$ F capacitors for complete functionality.

All RS-485 receivers or transceivers feature high impedance inputs which allow up to 256 transceivers on a single shared bus. When configured in RS-485 mode, each driver may be individually enabled or put into tri-state, simplifying use on shared buses or for bidirectional communication. The RS-485/422 drivers can be disabled (high-Z output) by the TXEN enable pin. The RS-232 receiver outputs can be disabled by the RXEN enable pin.

All receivers have advanced failsafe protection to prevent oscillation when inputs are un-connected. In RS-232 mode, each receiver input has a 5k $\Omega$  pull-down to ground. In RS-485 mode, receivers will default to output logic 1 if inputs are floating, shorted, or open but terminated.

All driver outputs and receiver inputs are protected against ESD strikes up to +/-15,000 volts.

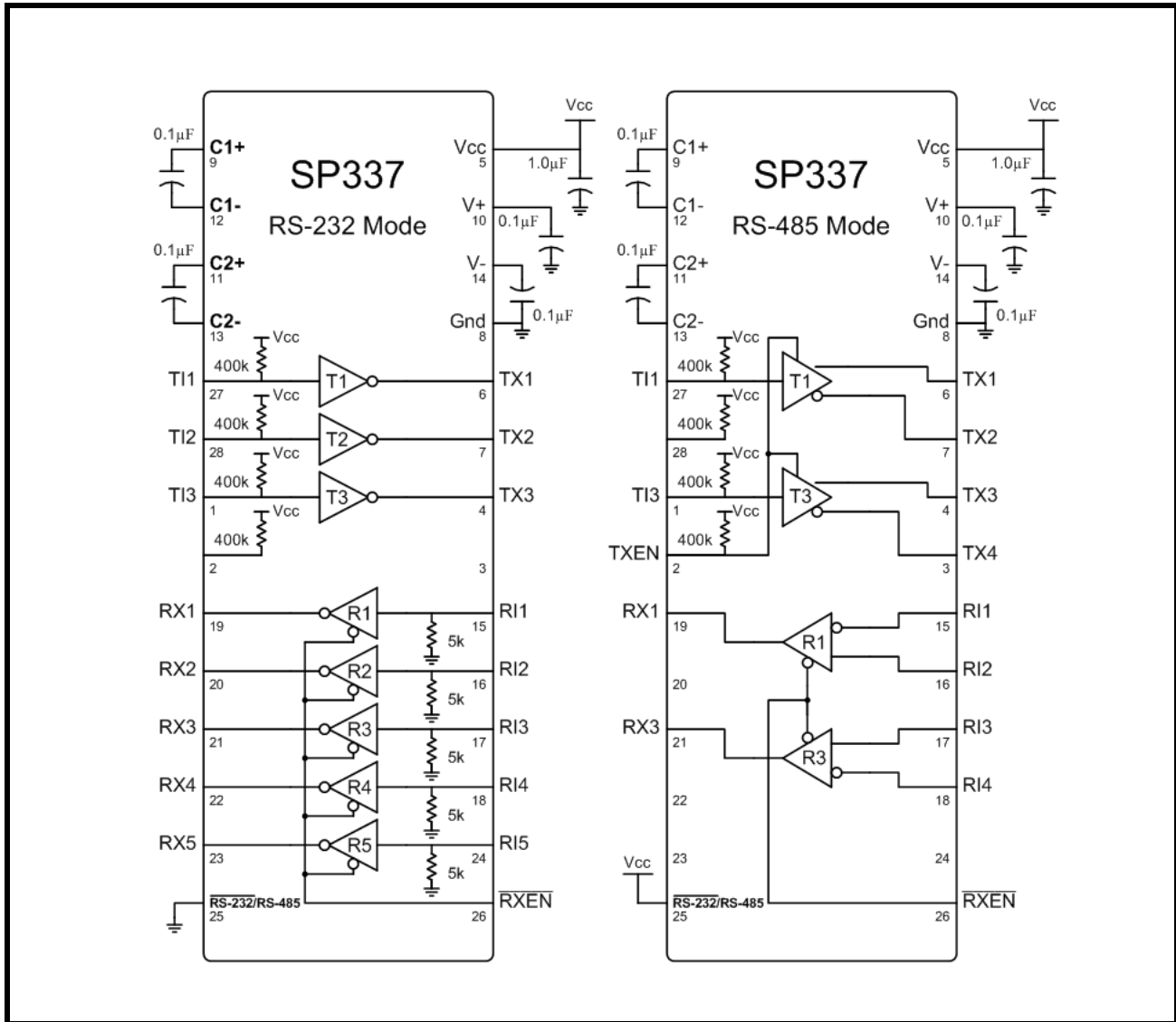
## FEATURES

- 3.3V to 5V Single Supply Operation
- Robust +/-15kV ESD Protection
  - Human Body Model
- Max Data Rate of 15Mbps in RS-485 mode and up to 1Mbps in RS-232 mode (SP337EU)
- 3 Drivers, 5 Receivers RS-232/V.28
- 2 Drivers, 2 Receivers RS-485/RS-422
  - Full-Duplex Configuration
  - 1/8th Unit Load, up to 256 receivers on bus
- RS-485 Advanced Failsafe on Open, Short or Terminated Lines
- Full Differential Driver Tri-State (Hi-Z) Control
- Receiver Output Tri-State Control
- WSOIC-28 or TSSOP-28 Package

## TYPICAL APPLICATIONS

- Dual Protocol Serial Ports (RS-232 or RS-485)
- Industrial Computers
- Industrial and Process Control Equipment
- Point-Of-Sales Equipment
- Networking Equipment
- HVAC Controls Equipment
- Building Security Equipment

FIGURE 1. TYPICAL RS-232 AND RS-485 APPLICATION CIRCUITS



**ORDERING INFORMATION**

PART NUMBER	PACKAGE	OPERATING TEMPERATURE RANGE	DEVICE STATUS
SP337EBCT-L	28-pin WSOIC	0°C to +70°C	Active
SP337EBCY-L	28-pin TSSOP	0°C to +70°C	Active
SP337EBET-L	28-pin WSOIC	-40°C to +85°C	Active
SP337EBEY-L	28-pin TSSOP	-40°C to +85°C	Active
SP337EUCT-L	28-pin WSOIC	0°C to +70°C	Active
SP337EUCY-L	28-pin TSSOP	0°C to +70°C	Active
SP337EUET-L	28-pin WSOIC	-40°C to +85°C	Active
SP337EUEY-L	28-pin TSSOP	-40°C to +85°C	Active

**PIN DESCRIPTIONS**
**Pin Assignments**

PIN #	PIN NAME	TYPE	DESCRIPTION	
			RS-232	RS-485/RS-422
1	T13	Input	T3 Driver TTL input	T3 Driver TTL input
			This pin has a 400k pull-up to Vcc in both RS-232 and RS-485 modes. The pull-up is disabled in the SP337EU shutdown mode.	
2	TXEN	Input	X*	Only RS-485 mode
			This pin has a 400k pull-up to Vcc in both RS-232 and RS-485 modes. The pull-up is disabled in the SP337EU shutdown mode.	
3	TX4	Output	X*	T3(Z) Inverting Output
4	TX3	Output	T3 Driver Output	T3(Y) Non-Inverting Output
5	Vcc	Power	Power Supply Voltage, between 3.3V and 5V	
6	TX1	Output	T1 Driver Output	T1(Y) Non-Inverting Output
7	TX2	Output	T2 Driver Output	T1(Z) Inverting Output
8	GND	Power	Ground	
9	C1+	Pump	Positive Terminal of Positive Flying Capacitor	
10	V+	Pump	Vdd Storage Capacitor	
11	C2+	Pump	Positive Terminal of Negative Flying Capacitor	
12	C1-	Pump	Negative Terminal of Positive Flying Capacitor	
13	C2-	Pump	Negative Terminal of Negative Flying Capacitor	
14	V-	Pump	Vss Storage Capacitor	
15	RI1	Input	R1 Receiver Input, 5k pull-down	R1(B) Receiver Inverting Input
16	RI2	Input	R2 Receiver Input, 5k pull-down	R1(A) Receiver Non-Inverting Input
17	RI3	Input	R3 Receiver Input, 5k pull-down	R3(A) Receiver Non-Inverting Input
18	RI4	Input	R4 Receiver Input, 5k pull-down	R3(B) Receiver Inverting Input
19	RX1	Output	R1 Receiver Output	
20	RX2	Output	R2 Receiver Output	X*
21	RX3	Output	R3 Receiver Output	
22	RX4	Output	R4 Receiver Output	X*
23	RX5	Output	R5 Receiver Output	X*
24	RI5	Input	R5 Receiver Input, 5k pull-down	X*
25	$\overline{\text{RS232/RS485}}$	Input	Mode select, either RS-232 (low) or RS-485/422 (high) mode	
26	$\overline{\text{RXEN}}$	Input	Receiver enable for both RS-232 and RS-485/422 mode (Active low)	

Pin Assignments

PIN #	PIN NAME	TYPE	DESCRIPTION	
			RS-232	RS-485/RS-422
27	TI1	Input	T1 Driver Input	T1 Driver Input
			This pin has a 400k pull-up to Vcc in both RS-232 and RS-485 modes. The pull-up is disabled in the SP337EU shutdown mode.	
28	TI2	Input	T2 Driver Input	X*
			This pin has a 400k pull-up to Vcc in both RS-232 and RS-485 modes. The pull-up is disabled in the SP337EU shutdown mode.	

\* Pins marked with an X in the above table are ignored or "don't care" in the listed mode, provided they do not exceed Vcc or go below ground. Some of these pins have a pull-up to Vcc which remains active in both RS-232 and RS-485 mode, but is disabled in the SP337EU shutdown mode.

## ABSOLUTE MAXIMUM RATINGS

These are stress ratings only and functional operation of the device at these ratings or any other above those indicated in the operation sections to the specifications below is not implied. Exposure to absolute maximum rating conditions for extended periods of time may affect reliability and cause permanent damage to the device.

Supply Voltage $V_{CC}$	+6.0V
Receiver Input $V_{IN}$ (DC Input Voltage)	-16V to +16V
Input Voltage at TTL input Pins	-0.3V to $V_{CC} + 0.5V$
Driver Output Voltage (from Ground)	-7.5V to +12.5V
Short Circuit Duration, TXout to GND	Continuous
Storage Temperature Range	-65°C to +150°C
Lead Temperature (soldering, 10s)	+300°C
Power Dissipation 28-pin SOIC-W (derate 17mW/°C above +70°C)	938mW
Power Dissipation 28-pin TSSOP (derate 12mW/°C above +70°C)	657mW

### CAUTION:

ESD (Electrostatic Discharge) sensitive device. Permanent damage may occur on unconnected devices subject to high energy electrostatic fields. Unused devices must be stored in conductive foam or shunts. Personnel should be properly grounded prior to handling this device. The protective foam should be discharged to the destination socket before devices are removed.

## ELECTRICAL CHARACTERISTICS

UNLESS OTHERWISE NOTED:  $V_{CC} = +3.3V \pm 5\%$  OR  $+5.0V \pm 5\%$ , C1-C4 = 0.1 $\mu$ F;  $T_A = T_{MIN}$  TO  $T_{MAX}$ .

TYPICAL VALUES ARE AT  $V_{CC} = 3.3V$ ,  $T_A = +25^\circ C$ .

SYMBOL	PARAMETERS	MIN.	TYP.	MAX.	UNITS	CONDITIONS
<b>DC CHARACTERISTICS</b>						
$I_{CC}$	Supply Current (RS-232)		1.5	6.0	mA	No Load, RS232/RS485 = 0V
$I_{CC}$	Supply Current (RS-485)		7.0	15	mA	No Load, RS232/RS485 = $V_{CC}$
$I_{CC}$	$V_{CC}$ Shutdown Current (SP337EU only)		1.0	10.0	$\mu$ A	TXEN = 0V, RXEN = $V_{CC}$ (SP337EU only)
<b>TRANSMITTER and LOGIC INPUT PINS: Pins 1, 2, 25, 26, 27, 28</b>						
$V_{IH}$	Logic Input Voltage HIGH	2.0			V	$V_{CC} = 3.3V$
$V_{IH}$	Logic Input Voltage HIGH	2.4			V	$V_{CC} = 5.0V$
$V_{IL}$	Logic Input Voltage LOW			0.8	V	
$I_{IL}$	Logic Input Leakage Current			1.0	$\mu$ A	Input High ( $V_{in} = V_{CC}$ )
$I_{PU}$	Logic Input Pull-up Current			15.0	$\mu$ A	Input Low ( $V_{in} = 0V$ )
$V_{HYS}$	Logic Input Hysteresis		0.5		V	
<b>RS-232 and RS-485/422 RECEIVER OUTPUTS: Pins 19, 20, 21, 22, 23</b>						
$V_{OH}$	Receiver Output Voltage HIGH	$V_{CC}-0.6$			V	$I_{OUT} = 1.0mA$
$V_{OL}$	Receiver Output Voltage LOW			0.4	V	$I_{OUT} = -3.2mA$

## 3.3V TO 5V RS-232/RS-485/RS-422 MULTIPROTOCOL TRANSCEIVER

REV. 1.0.2

UNLESS OTHERWISE NOTED:  $V_{CC} = +3.3V \pm 5\%$  OR  $+5.0V \pm 5\%$ ,  $C1-C4 = 0.1\mu F$ ;  $T_A = T_{MIN}$  TO  $T_{MAX}$ .TYPICAL VALUES ARE AT  $V_{CC} = 3.3V$ ,  $T_A = +25^\circ C$ .

SYMBOL	PARAMETERS	MIN.	TYP.	MAX.	UNITS	CONDITIONS
$I_{OSS}$	Receiver Output ShortCircuit Current		+/-40	+/-65	mA	$0 < V_O < V_{CC}$
$I_{OZ}$	Receiver Output Leakage Current		+/-0.1	+/-1.5	$\mu A$	Receivers Disabled
<b>SINGLE-ENDED RECEIVER INPUTS (RS-232)</b>						
	Input Voltage Range	-15		+15	V	
	Input Threshold Low	0.6	1.2		V	$V_{CC} = 3.3V$
		0.8	1.5		V	$V_{CC} = 5.0V$
	Input Threshold HIGH		1.5	2.0	V	$V_{CC} = 3.3V$
				1.8	2.4	V
	Input Hysteresis		0.5		V	
	Input Resistance	3	5	7	k $\Omega$	
<b>DIFFERENTIAL RECEIVER INPUTS (RS-485 / RS-422)</b>						
$R_{IN}$	Receiver Input Resistance	96			k $\Omega$	$-7V \leq V_{CM} \leq +12V$
$V_{TH}$	Receiver Differential Threshold	-200	-125	-50	mV	
$\Delta V_{TH}$	Receiver Input Hysteresis		30		mV	$V_{CM} = 0V$
$I_{IN}$	Input Current			125	$\mu A$	$V_{IN} = 12V$
				-100	$\mu A$	$V_{IN} = -7V$
<b>SINGLE-ENDED DRIVER OUTPUTS (RS-232)</b>						
$V_O$	Output Voltage Swing	+/-5.0	+/-5.4		V	Output Loaded with 3k $\Omega$ to Gnd
				+/-7.0	V	No Load Output
	Short Circuit Current			+/-60	mA	$V_O = 0V$
	Power Off Impedance	300	10M		W	$V_{CC} = 0V$ ; $V_O = +/-2V$
<b>DIFFERENTIAL DRIVER OUTPUTS (RS-485 / RS-422)</b>						
$V_{OD}$	Differential Driver Output (Tx_Out)	2		$V_{CC}$	V	$R_L = 100\Omega$ (RS-422), Figure 2
		1.5		$V_{CC}$	V	$R_L = 54\Omega$ (RS-485), Figure 2
		1.5		$V_{CC}$	V	$V_{CM} = -7V$ , Figure 3
		1.5		$V_{CC}$	V	$V_{CM} = +12V$ , Figure 3
$\Delta V_{OD}$	Change In Magnitude of Differential Output Voltage	-0.2		+0.2	V	$R_L = 54\Omega$ or $100\Omega$ , Figure 2
$V_{OC}$	Driver CommonMode Output Voltage			3	V	$R_L = 54\Omega$ or $100\Omega$ , Figure 2
$\Delta V_{OC}$	Change In Magnitude of Common Mode Output Voltage			0.2	V	$R_L = 54\Omega$ or $100\Omega$ , Figure 2
$I_{OSD}$	Driver Output Short Circuit Current			+/-250	mA	$V = +12V$ to $-7V$ , Figure 4
$I_O$	Output Leakage Current			+/-100	$\mu A$	$TXEN = 0V$ or Shutdown, $V_O = +12V$ to $-7V$
<b>TIMING CHARACTERISTICS</b>						

**UNLESS OTHERWISE NOTED: V<sub>CC</sub> = +3.3V +/-5% OR +5.0V +/-5%, C<sub>1</sub>-C<sub>4</sub> = 0.1μF; TA = T<sub>MIN</sub> TO T<sub>MAX</sub>.**
**TYPICAL VALUES ARE AT V<sub>CC</sub> = 3.3V, TA = +25°C.**

SYMBOL	PARAMETERS	MIN.	TYP.	MAX.	UNITS	CONDITIONS
<b>RS-232 (SP337EB ONLY) DATA RATE = 250kbps, ONE TRANSMITTER SWITCHING</b>						
	Maximum Data Rate	250			kbps	R <sub>L</sub> = 3kΩ, C <sub>L</sub> = 2500pF
t <sub>PHL</sub> , t <sub>PLH</sub>	Receiver Propagation Delay		100		ns	C <sub>L</sub> = 150pF, Figures 20 and 21
t <sub>PHL</sub> -t <sub>PLH</sub>	Receiver Skew			100	ns	C <sub>L</sub> = 150pF, Figures 20 and 21
t <sub>PHL</sub> , t <sub>PLH</sub>	Driver Propagation Delay		800			
t <sub>PHL</sub> -t <sub>PLH</sub>	Driver Skew			400	ns	
	Receiver Output Enable time			400	ns	
	Receiver Output Disable time			400	ns	
t <sub>THL</sub> , t <sub>TLH</sub>	Transition-Region Slew Rate from +3.0V to -3.0V or -3.0V to +3.0V	4		30	V/μs	V <sub>CC</sub> = 3.3V, R <sub>L</sub> = 3kΩ to 7kΩ, C <sub>L</sub> = 150pF to 2500pF, Figures 18 and 19
<b>RS-232 (SP337EU ONLY) DATA RATE = 1Mbps, ONE TRANSMITTER SWITCHING</b>						
	Maximum Data Rate	1			Mbps	R <sub>L</sub> = 3kΩ, C <sub>L</sub> = 250pF
t <sub>PHL</sub> , t <sub>PLH</sub>	Receiver Propagation Delay		100		ns	C <sub>L</sub> = 150pF, Figures 20 and 21
t <sub>PHL</sub> -t <sub>PLH</sub>	Receiver Skew			100	ns	C <sub>L</sub> = 150pF, Figures 20 and 21
t <sub>PHL</sub> , t <sub>PLH</sub>	Driver Propagation Delay		250			
t <sub>PHL</sub> -t <sub>PLH</sub>	Driver Skew			150	ns	
	Receiver Output Enable time			400	ns	
	Receiver Output Disable time			400	ns	
t <sub>THL</sub> , t <sub>TLH</sub>	Transition-Region Slew Rate from +3.0V to -3.0V or -3.0V to +3.0V	50			V/μs	V <sub>CC</sub> = 3.3V, R <sub>L</sub> = 3kΩ, C <sub>L</sub> = 150pF, Figures 18 and 19
<b>RS-485/RS-422 (SP337EB and SP337EU) DATA RATE = 15Mbps, ONE TRANSMITTER SWITCHING</b>						
	Maximum Data Rate	15	20		Mbps	R <sub>DIFF</sub> = 54Ω, C <sub>L</sub> = 50pF
t <sub>DPHL</sub> , t <sub>DPLH</sub>	Differential Output Propagation Delay Time		60	120	ns	Figures 5 and 6
t <sub>R</sub> , t <sub>F</sub>	Driver Rise and Fall Time		15	25	ns	Figures 5 and 6
t <sub>DPHL</sub> -t <sub>DPLH</sub>	Driver Propagation Delay Skew			10	ns	Figures 5 and 6
t <sub>DZH</sub> , t <sub>DZL</sub>	Driver Output Enable Time			400	ns	Figures 7, 8, 9 and 10
t <sub>DHZ</sub> , t <sub>DLZ</sub>	Driver Output Disable Time			400	ns	Figures 7, 8, 9 and 10
t <sub>PHL</sub> , t <sub>PLH</sub>	Receiver Propagation Delay		80	150	ns	Figures 11 and 12
t <sub>ZH</sub>	Receiver Enable to Output High		100	200	ns	Figures 13 and 14
t <sub>ZL</sub>	Receiver Enable to Output Low		100	200	ns	Figures 13 and 15
t <sub>HZ</sub>	Receiver Output High to Disable		100	200	ns	Figures 13 and 16
t <sub>LZ</sub>	Receiver Output Low to Disable		100	200	ns	Figures 13 and 17



UNLESS OTHERWISE NOTED:  $V_{CC} = +3.3V \pm 5\%$  OR  $+5.0V \pm 5\%$ ,  $C1-C4 = 0.1\mu F$ ;  $T_A = T_{MIN}$  TO  $T_{MAX}$ .

TYPICAL VALUES ARE AT  $V_{CC} = 3.3V$ ,  $T_A = +25^\circ C$ .

SYMBOL	PARAMETERS	MIN.	TYP.	MAX.	UNITS	CONDITIONS
<b>RS-485/RS-422 SHUTDOWN FEATURE APPLIES TO SP337EU ONLY</b>						
$t_{DZV}$	Shutdown to Driver Output Valid		100	400	ns	
$t_{Dshutdwn}$	Driver Time to Shutdown		100		ns	
$t_{RZV}$	Shutdown to Receiver Output Valid		400	800	ns	
$t_{Rshutdwn}$	Receiver Time to Shutdown		100		ns	
<b>ESD PROTECTION</b>						
	ESD Protection for TX and RI Pins 3, 4, 6, 7, 15, 16, 17, 18, 24		+/-15		kV	Human Body Model
	All Other Pins		+/-2		kV	Human Body model

FIGURE 2. RS-485 DRIVER DC TEST CIRCUIT

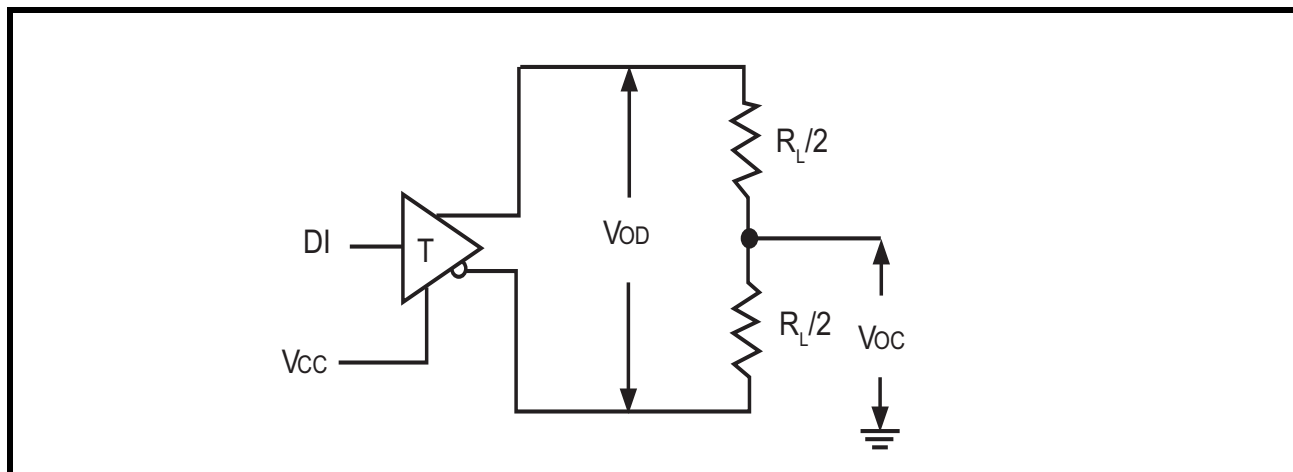


FIGURE 3. RS-485 DRIVER COMMON MODE LOAD TEST

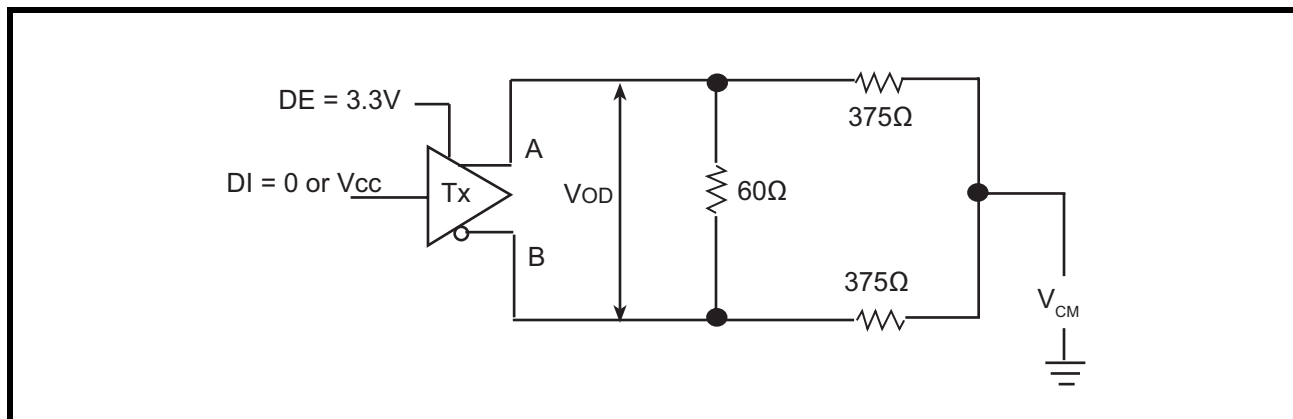


FIGURE 4. RS-485 DRIVER OUTPUT SHORT CIRCUIT TEST

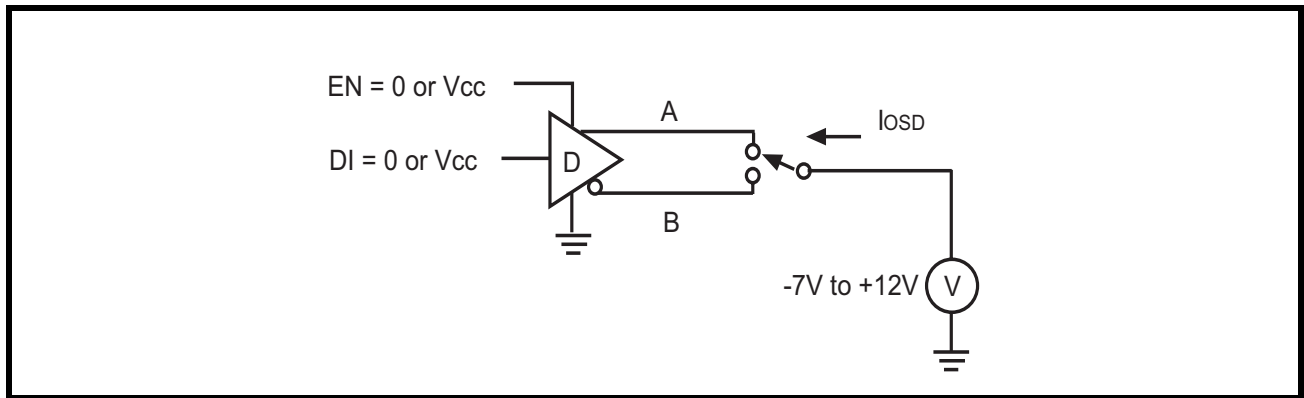


FIGURE 5. RS-485 DRIVER PROPAGATION DELAY TEST CIRCUIT

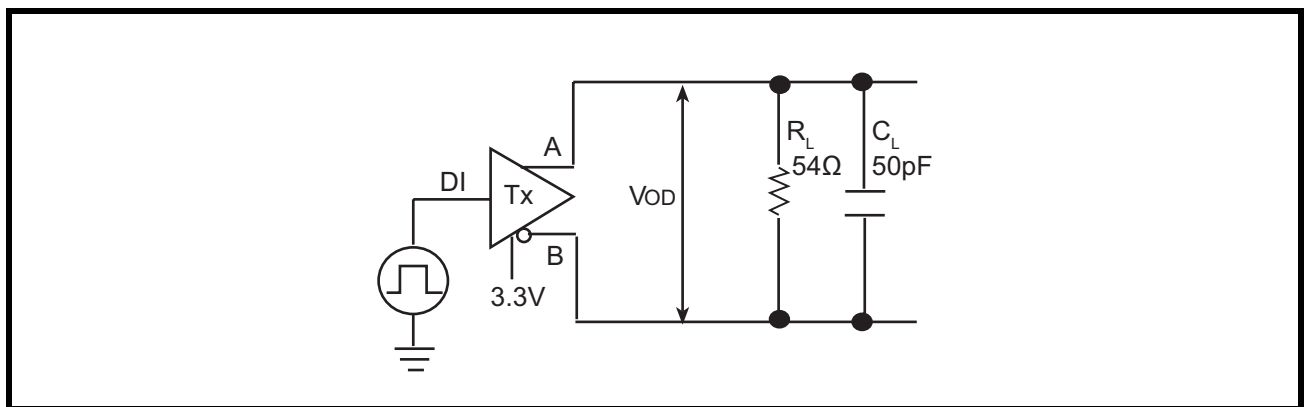


FIGURE 6. RS-485 DRIVER TIMING DIAGRAM

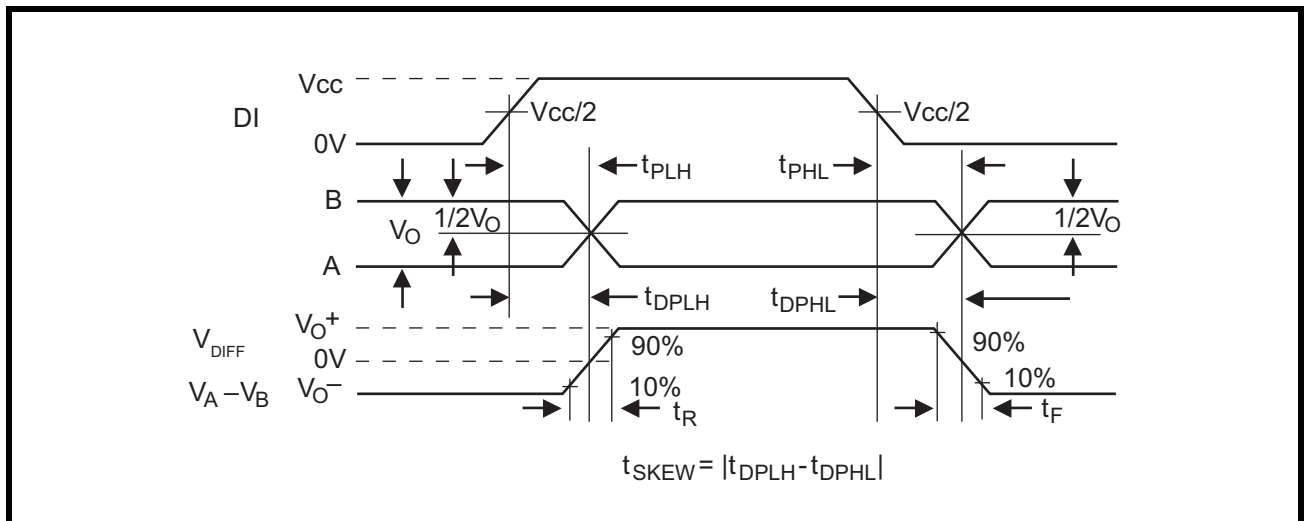


FIGURE 7. RS-485 DRIVER ENABLE AND DISABLE TEST CIRCUIT

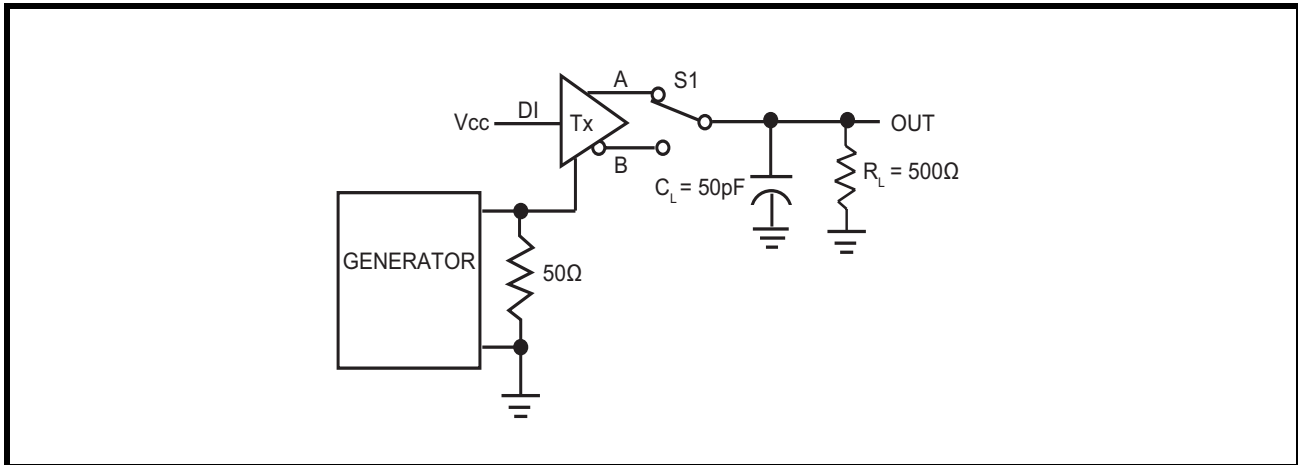


FIGURE 8. RS-485 DRIVER ENABLE AND DISABLE TIMING DIAGRAM

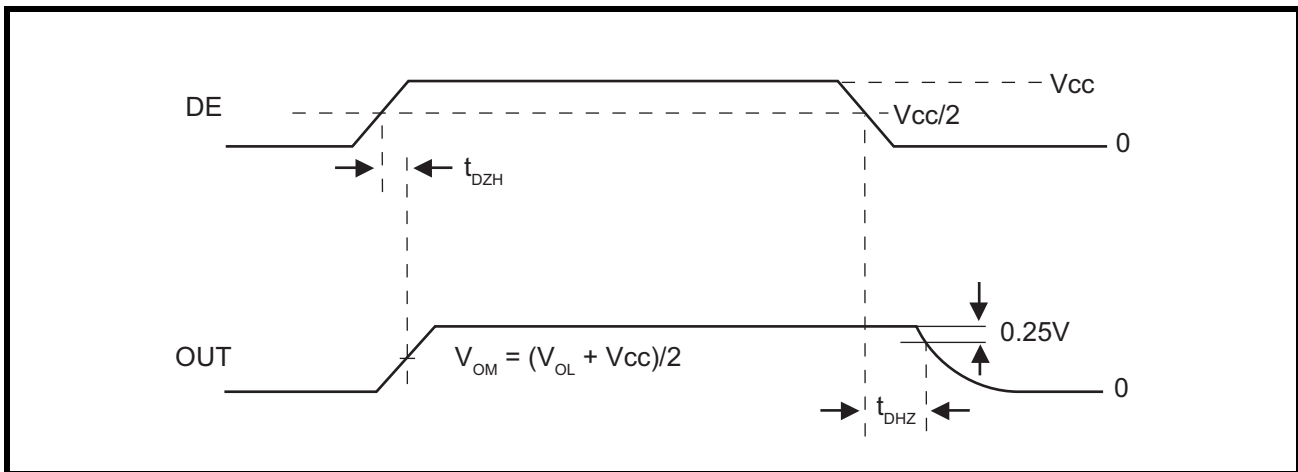


FIGURE 9. RS-485 DRIVER ENABLE AND DISABLE TEST CIRCUIT 2

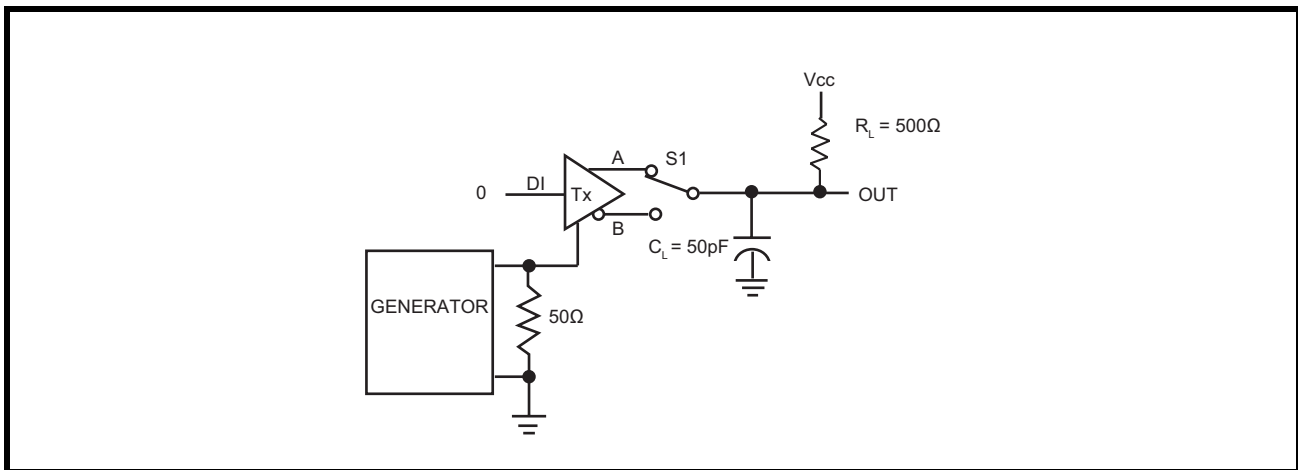


FIGURE 10. RS-485 DRIVER ENABLE AND DISABLE TIMING DIAGRAM 2

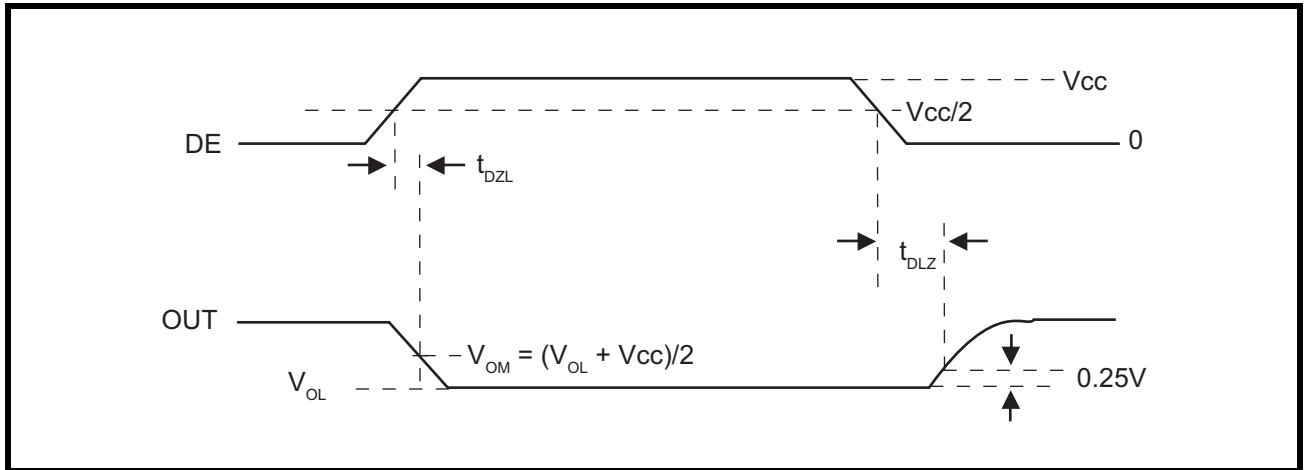


FIGURE 11. RS-485 RECEIVER PROPAGATION DELAY TEST CIRCUIT

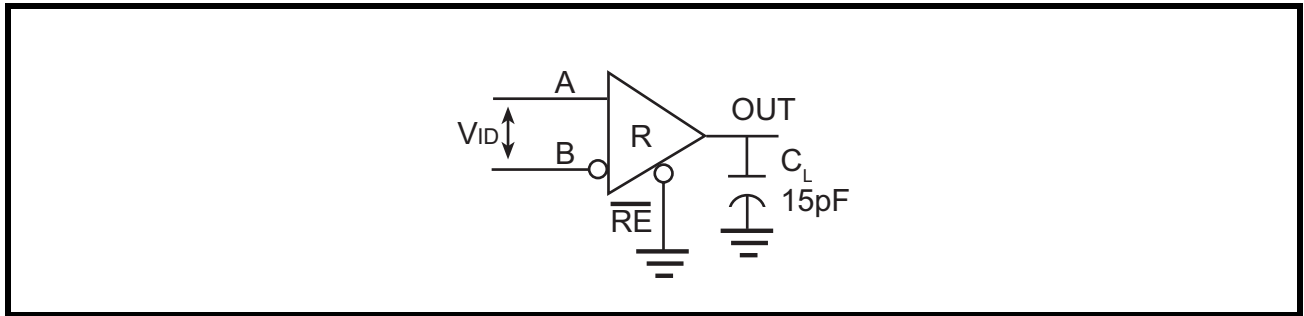


FIGURE 12. RS-485 RECEIVER PROPAGATION DELAY TIMING DIAGRAM

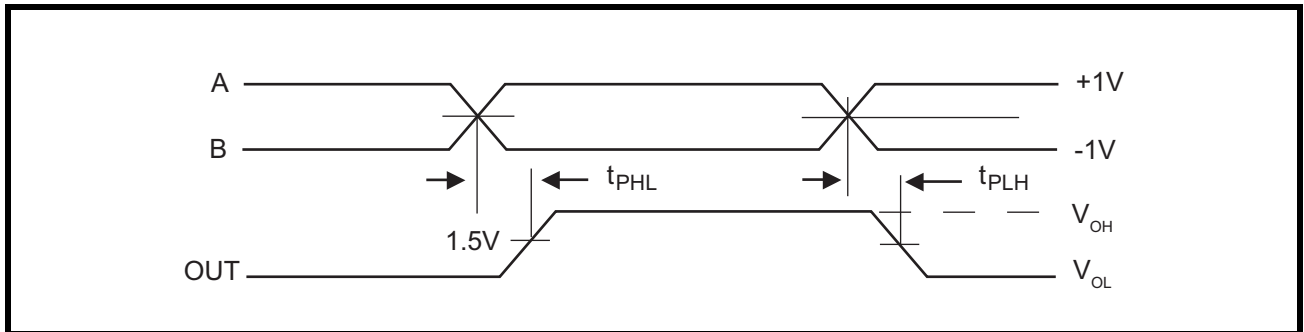


FIGURE 13. RS-485 RECEIVER ENABLE AND DISABLE TIMES TEST CIRCUIT

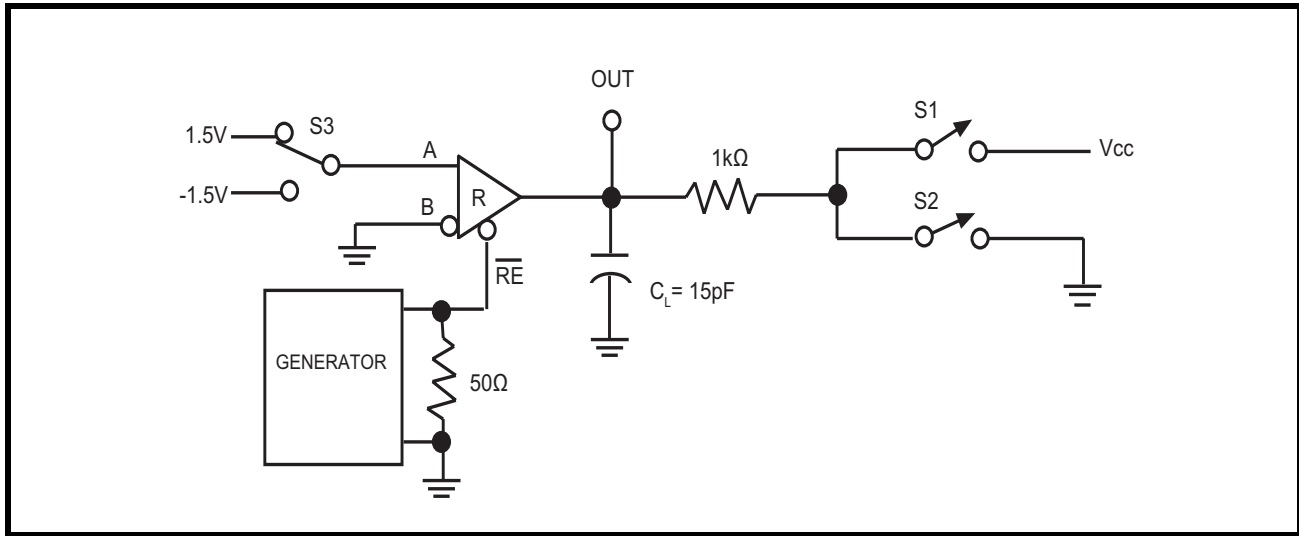


FIGURE 14. RS-485 RECEIVER ENABLE AND DISABLE TIMES TIMING DIAGRAM 1

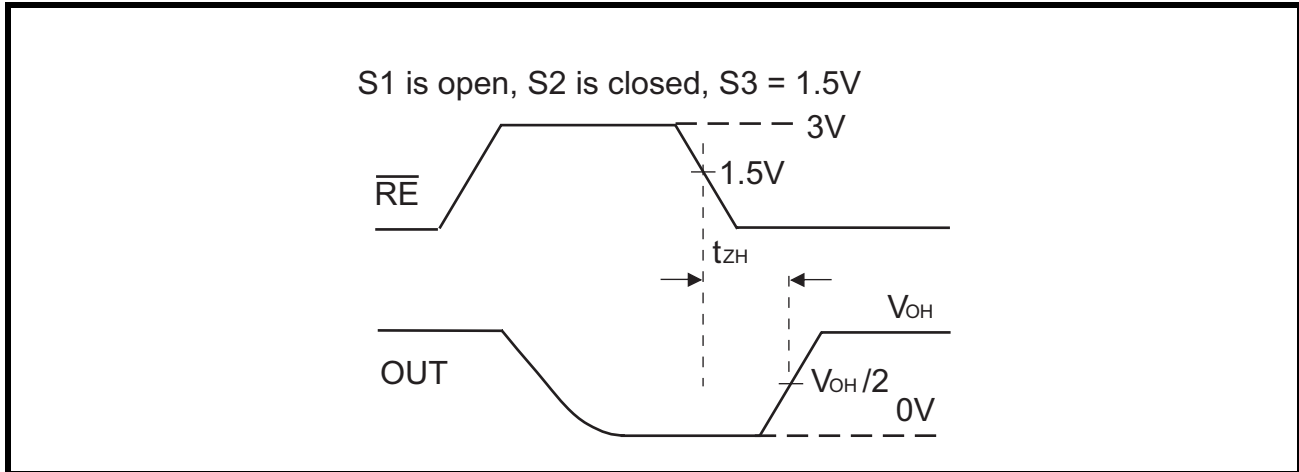


FIGURE 15. RS-485 RECEIVER ENABLE AND DISABLE TIMES TIMING DIAGRAM 2

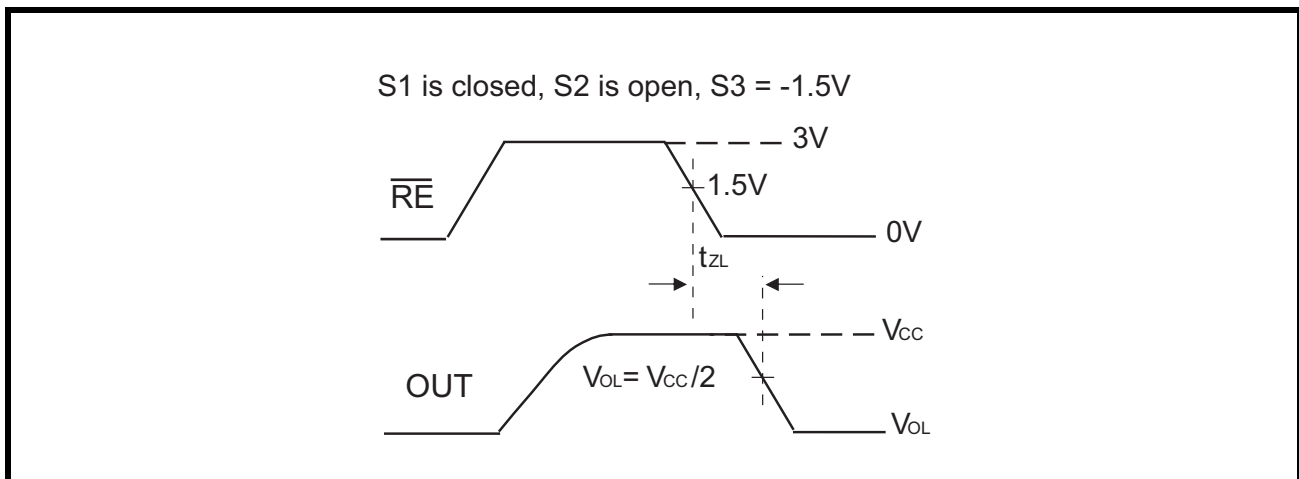


FIGURE 16. RS-485 RECEIVER ENABLE AND DISABLE TIMES TIMING DIAGRAM 3

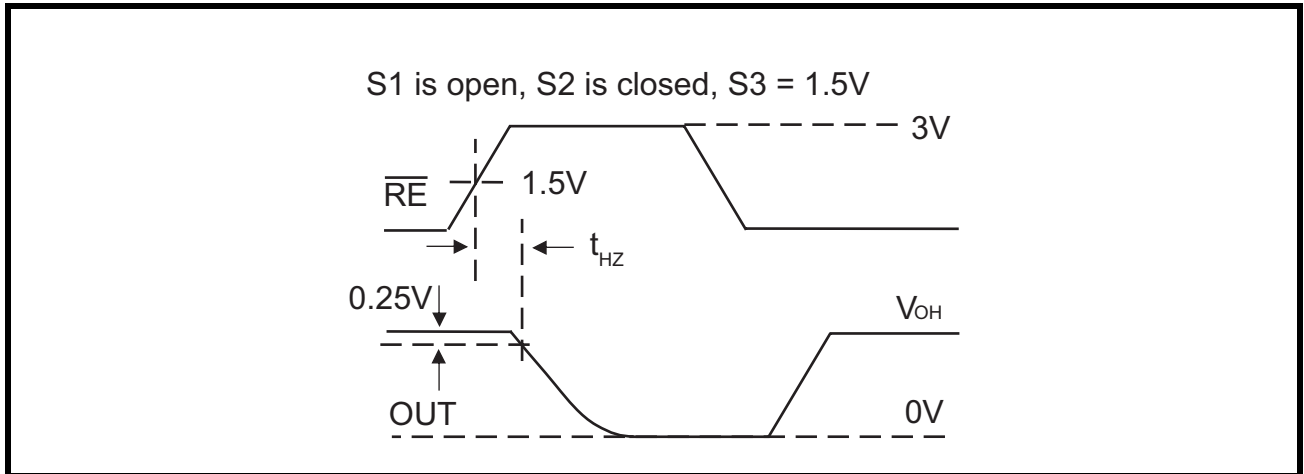


FIGURE 17. RS-485 RECEIVER ENABLE AND DISABLE TIMES TIMING DIAGRAM 4

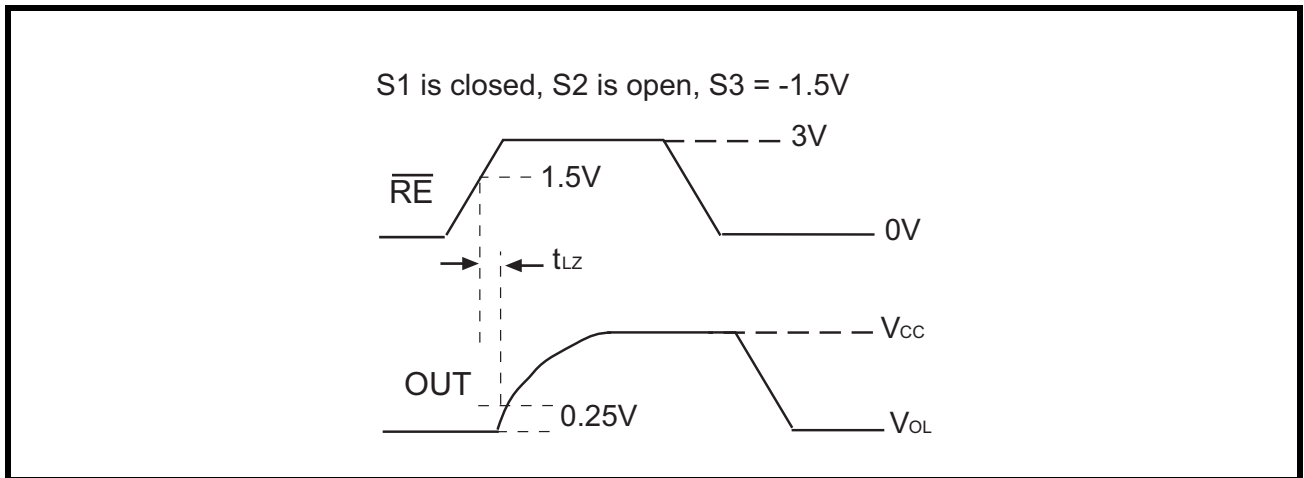


FIGURE 18. RS-232 DRIVER OUTPUT SLEW RATE TEST CIRCUIT

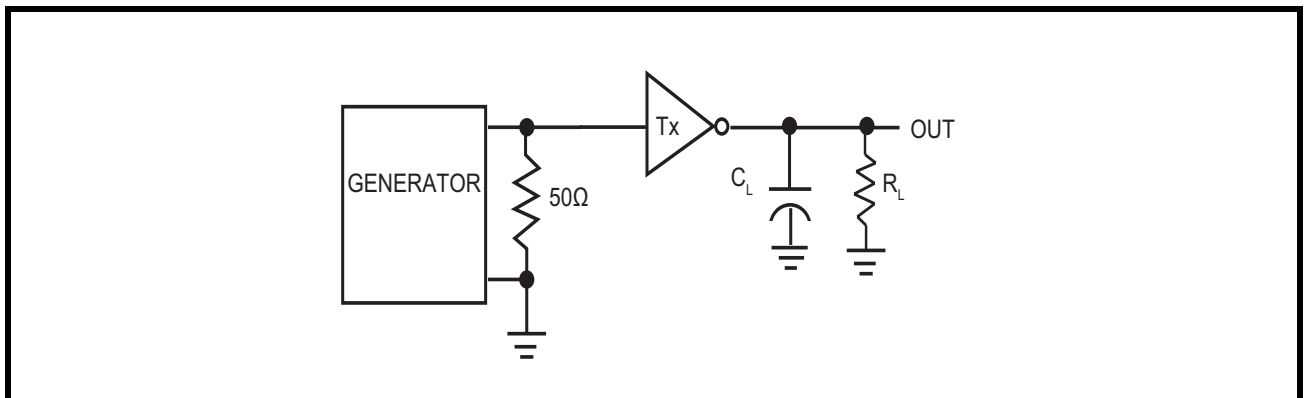


FIGURE 19. RS-232 DRIVER OUTPUT SLEW RATE TIMING DIAGRAM

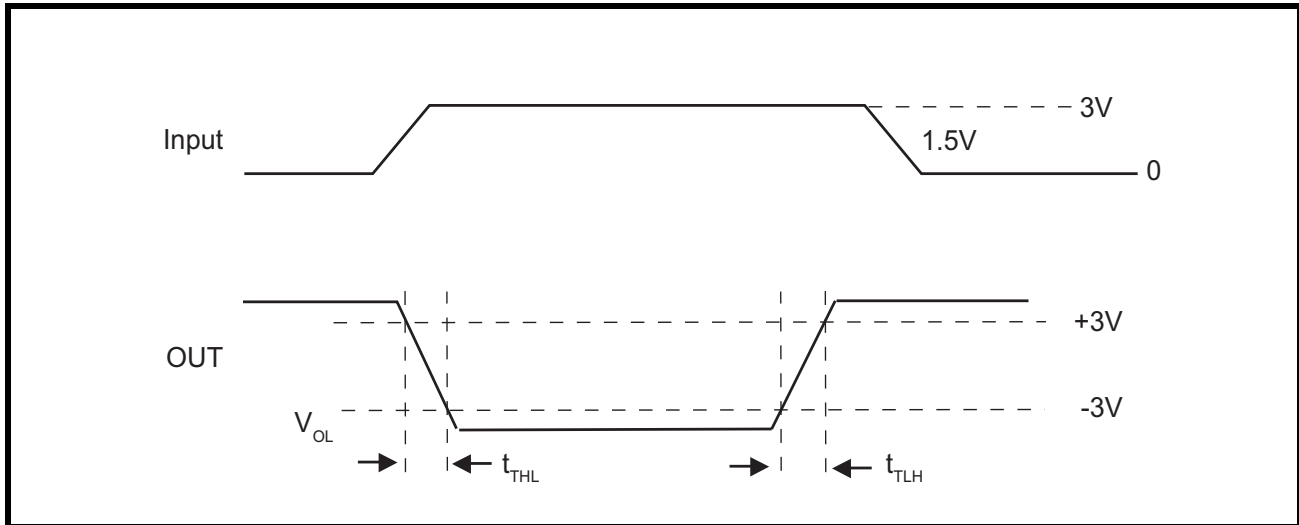


FIGURE 20. RS-232 RECEIVER PROPAGATION DELAY TEST CIRCUIT

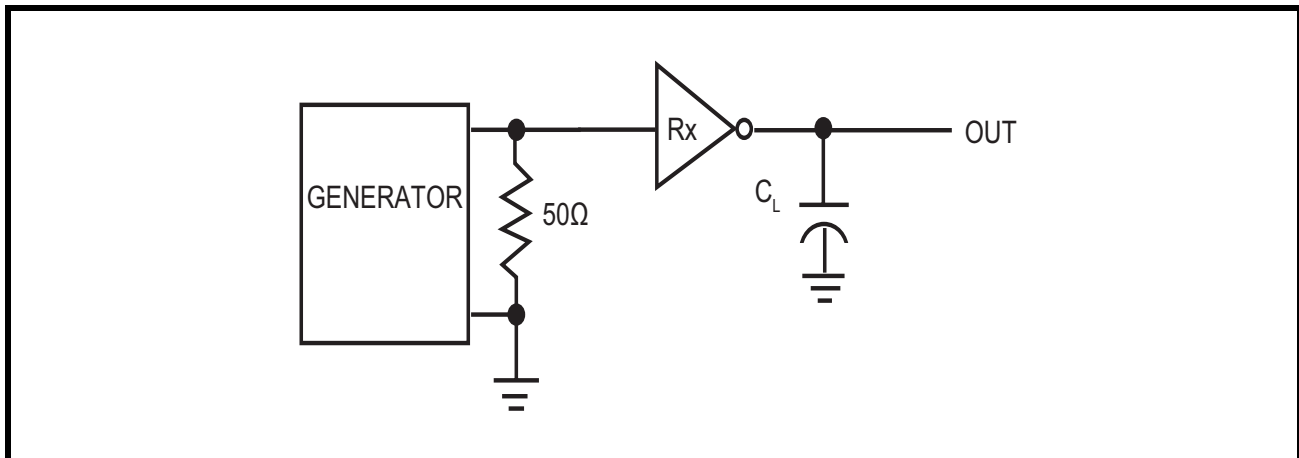
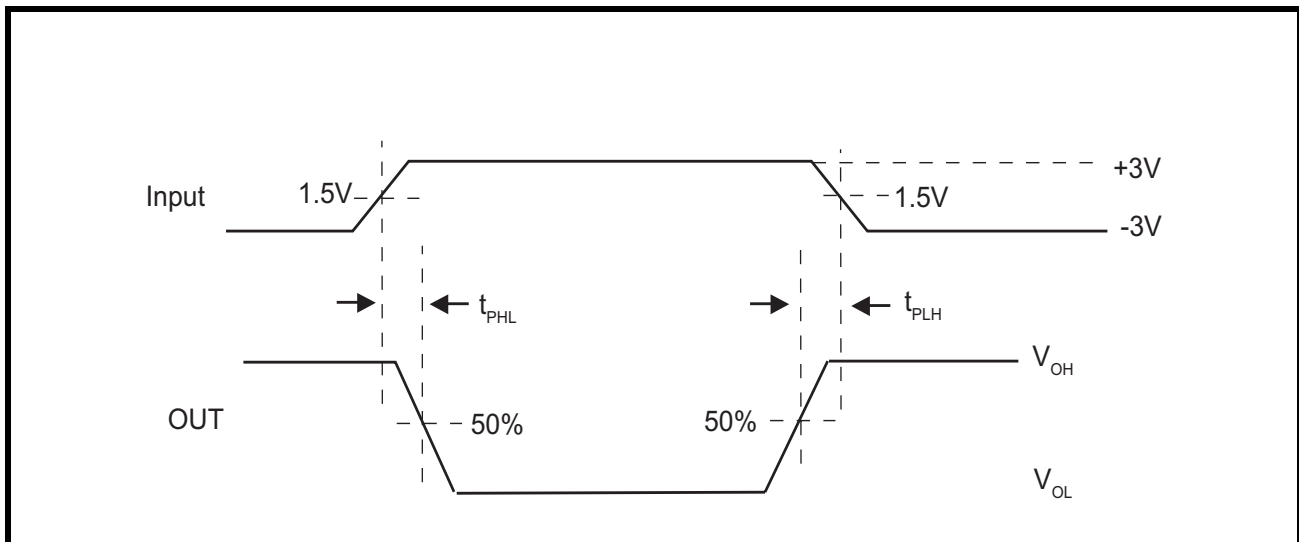


FIGURE 21. RS-232 RECEIVER PROPAGATION DELAY TIMING DIAGRAM



## SP337E Mode Configuration tables

**TABLE 1: SP337EB**

RS232/RS485	TXEN	R $\overline$ XEN	Operation		Charge Pump	Driver and Receiver
Low	Ignored	Low	RS-232	3T/5R	ON	Receivers Enabled
Low	Ignored	High	RS-232	3T/5R	ON	Receivers Disabled (High-Z Output)
High	Low	Low	RS-485/422 Full-Duplex	2T/2R	ON	Drivers Disabled (High-Z Output); Receivers Enabled
High	High	High	RS-485/422 Full-Duplex	2T/2R	ON	Drivers Enabled; Receivers Disabled (High-Z Output)
High	Low	High	RS-485/422 Full-Duplex	2T/2R	ON	Drivers Disabled (High Z output); Receivers Disabled (High Z output)
High	High	Low	RS-485/422 Full-Duplex	2T/2R	ON	Drivers Enabled; Receivers Enabled

**TABLE 2: SP337EU**

RS232/RS485	TXEN	R $\overline$ XEN	Operation		Charge Pump	Driver and Receiver
Low	Ignored	Low	RS-232	3T/5R	ON	Receivers Enabled
Low	Ignored	High	RS-232	3T/5R	ON	Receivers Disabled (High-Z Output)
High	Low	Low	RS-485/422 Full-Duplex	2T/2R	ON	Drivers Disabled (High-Z Output); Receivers Enabled
High	High	High	RS-485/422 Full-Duplex	2T/2R	ON	Drivers Enabled; Receivers Disabled (High-Z Output)
High	Low	High	RS-485/422 Full-Duplex	2T/2R	OFF (Shutdown)	Drivers Disabled (High Z output); Receivers Disabled (High Z output)
High	High	Low	RS-485/422 Full-Duplex	2T/2R	ON	Drivers Enabled; Receivers Enabled



FIGURE 22. 28 PIN WSOIC PACKAGE OUTLINE DRAWING

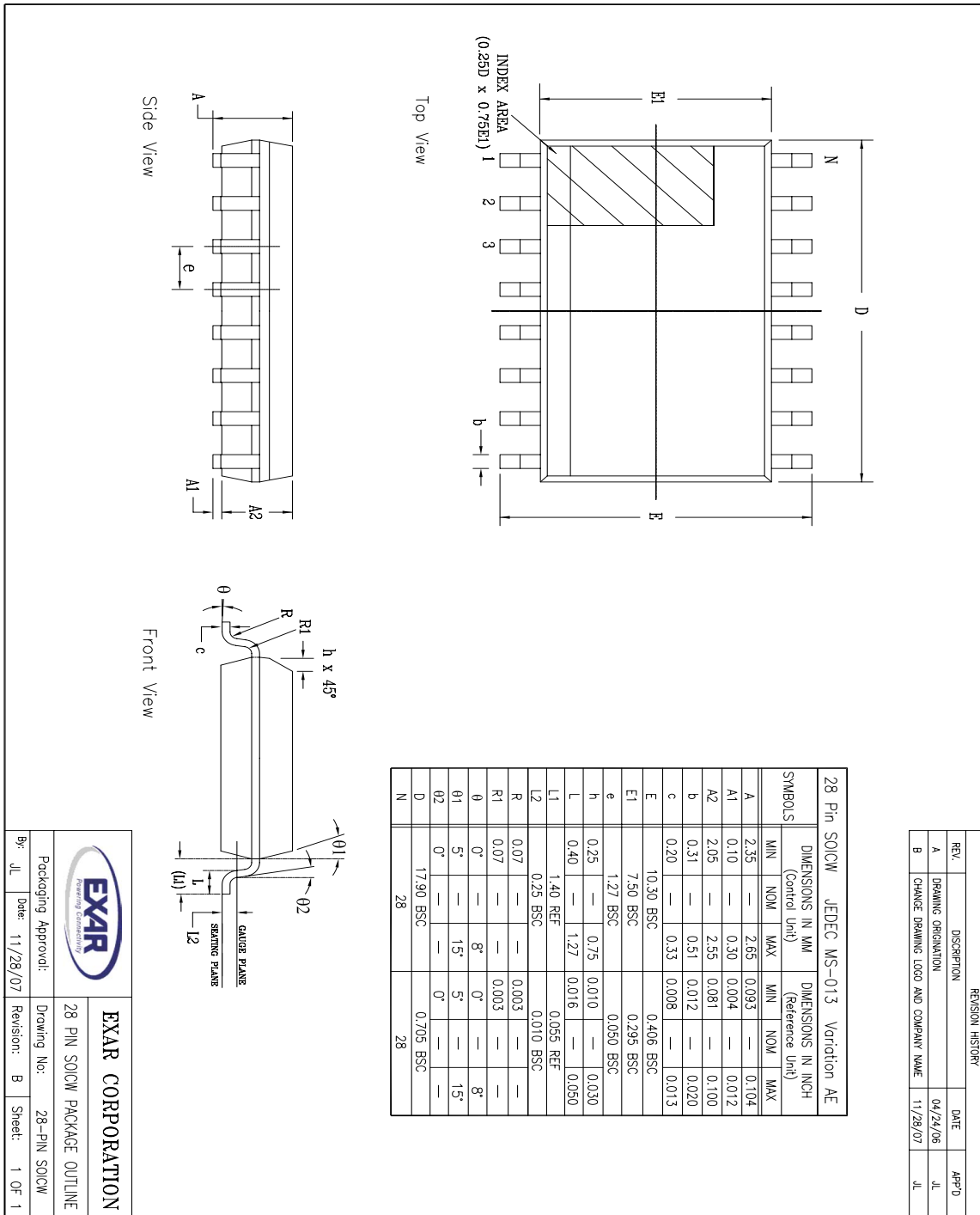
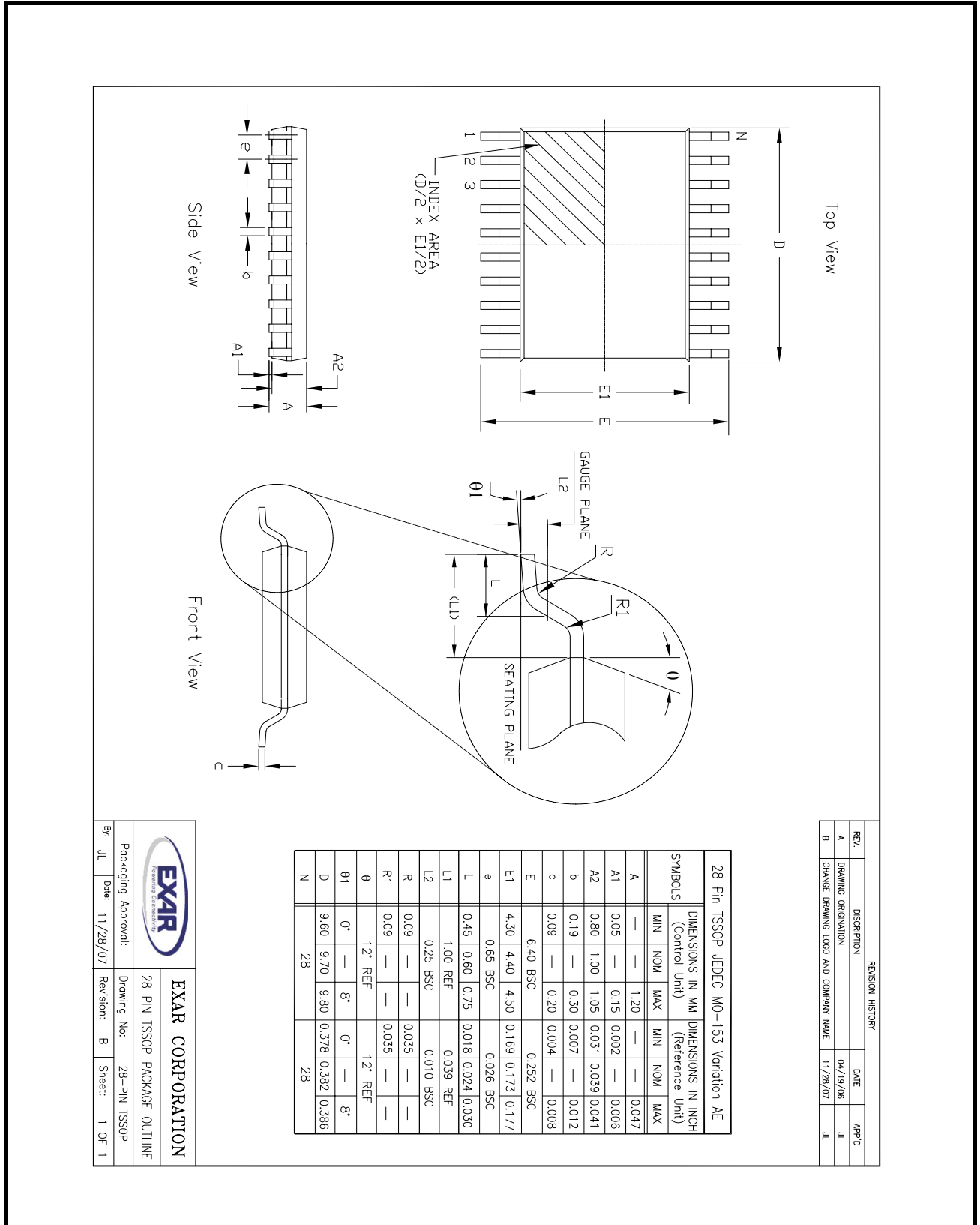


FIGURE 23. 28 PIN TSSOP PACKAGE OUTLINE DRAWING



REVISION HISTORY			
REV.	DESCRIPTION	DATE	APP'D.
A	DRAWING ORIGINATOR	04/19/06	JL
B	CHANGE DRAWING LOGO AND COMPANY NAME	11/28/07	JL

		<b>EXAR CORPORATION</b>	
Packaging Approval:		28 PIN TSSOP PACKAGE OUTLINE	
By: JL	Date: 11/28/07	Drawing No: 28-PIN TSSOP	Sheet: 1 OF 1
		Revision: B	

**REVISION HISTORY**

DATE	REVISION	DESCRIPTION
December 2010	1.0.0	Production Release.
December 2010	1.0.1	Update ESD Information.
March 2011	1.0.2	Correct Figure 1 RS-485 driver type error.

**NOTICE**

EXAR Corporation reserves the right to make changes to the products contained in this publication in order to improve design, performance or reliability. EXAR Corporation assumes no responsibility for the use of any circuits described herein, conveys no license under any patent or other right, and makes no representation that the circuits are free of patent infringement. Charts and schedules contained here in are only for illustration purposes and may vary depending upon a user's specific application. While the information in this publication has been carefully checked; no responsibility, however, is assumed for inaccuracies.

EXAR Corporation does not recommend the use of any of its products in life support applications where the failure or malfunction of the product can reasonably be expected to cause failure of the life support system or to significantly affect its safety or effectiveness. Products are not authorized for use in such applications unless EXAR Corporation receives, in writing, assurances to its satisfaction that: (a) the risk of injury or damage has been minimized; (b) the user assumes all such risks; (c) potential liability of EXAR Corporation is adequately protected under the circumstances.

Copyright 2011 EXAR Corporation

Datasheet March 2011.

For technical support please email Exar's Serial Technical Support group at: [serialtechsupport@exar.com](mailto:serialtechsupport@exar.com).

Reproduction, in part or whole, without the prior written consent of EXAR Corporation is prohibited.