



Chipsmall Limited consists of a professional team with an average of over 10 year of expertise in the distribution of electronic components. Based in Hongkong, we have already established firm and mutual-benefit business relationships with customers from,Europe,America and south Asia,supplying obsolete and hard-to-find components to meet their specific needs.

With the principle of “Quality Parts,Customers Priority,Honest Operation,and Considerate Service”,our business mainly focus on the distribution of electronic components. Line cards we deal with include Microchip,ALPS,ROHM,Xilinx,Pulse,ON,Everlight and Freescale. Main products comprise IC,Modules,Potentiometer,IC Socket,Relay,Connector.Our parts cover such applications as commercial,industrial, and automotives areas.

We are looking forward to setting up business relationship with you and hope to provide you with the best service and solution. Let us make a better world for our industry!



Contact us

Tel: +86-755-8981 8866 Fax: +86-755-8427 6832

Email & Skype: info@chipsmall.com Web: www.chipsmall.com

Address: A1208, Overseas Decoration Building, #122 Zhenhua RD., Futian, Shenzhen, China

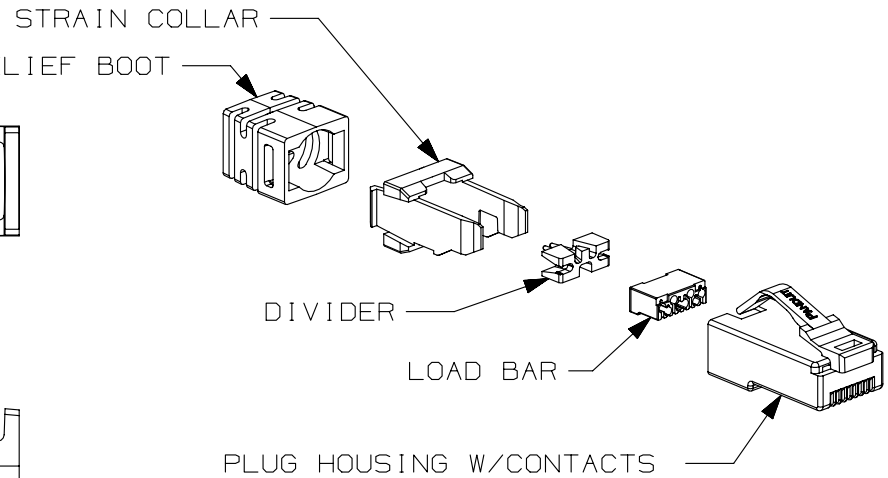
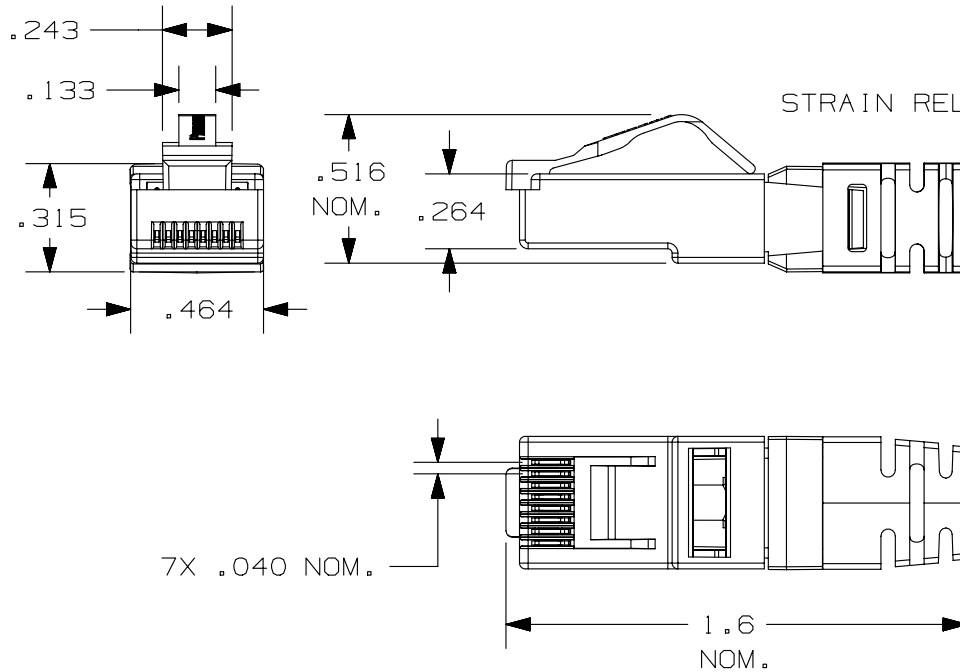


THIS COPY IS PROVIDED ON A RESTRICTED BASIS AND IS NOT TO BE USED IN ANY WAY DETRIMENTAL TO THE INTERESTS OF PANDUIT CORP.

PANDUIT P/N	WEIGHT
SP6X88-C	.047 LB/10 PCS (21.4 g/10 PCS)

NOTES:

- CAT 6A UTP MODULAR PLUG FOR USE WITH PANDUIT TX6A 10GIG UTP COPPER CABLE.
- MATERIALS: PLUG COMPONENTS - UL94V-0 RATED POLYCARBONATE, BOOT - PVC, CONTACTS - GOLD PLATED PHOSPHOR BRONZE.
- PLUG DESIGNED AND TUNED EXCLUSIVELY FOR PANDUIT CAT6A UTP HORIZONTAL CABLE (PU*6A04) WITH MATRIX TECHNOLOGY.
 - .310" MAX. OUTER JACKET DIAMETER.
 - .048" MAX. CONDUCTOR INSULATION DIAMETER.
- MEETS DIMENSIONAL REQUIREMENTS OF FCC PART 68 AND IEC 60603-7. ALL DIMENSIONS MAXIMUM UNLESS OTHERWISE SPECIFIED.
- TERMINATED CONTACT HEIGHT DIMENSION: .237±.005"
- OPERATING TEMPERATURE: -14°F TO 140°F (-10°C TO 60°C)
- STORAGE TEMPERATURE: -40°F TO 158°F (-40°C TO 70°C).
- RATED TO 2500 MATING CYCLES.
- PLUG ASSEMBLY TOOL - CSPT.
CRIMP TOOL - MPT5-8AS.



PART NUMBER		SP6X88-C	
TITLE			
CATEGORY 6A UTP MODULAR PLUG FOR USE WITH PANDUIT TX6A 10GIG UTP COPPER CABLE			
CUSTOMER DRAWING			
ITEM REVISION NAME		M01185CG/02	
DATASET FILE NAME		M01185CG_DC01/02A	
UNLESS OTHERWISE SPECIFIED, DIMENSIONAL TOLERANCES ARE: IN [mm]		MATERIAL:	
.x ± .xx ± .03 [.8]		SEE NOTES	
.xxx ± .010 [.3]		DRAWING NUMBER:	
ANGLES ±		M01185CG-01	
THIRD ANGLE PROJECTION		SHT 1 OF 1	
DRAWN BY	DATE	CHK	SCALE
MDJR	12-21-12	EJH	NONE
REV	DATE	BY	CHK
2	4-7-14	BJN	JAV
1	7-26-13	MDJR	EJH
R	12-21-12	MDJR	EJH
DESCRIPTION		ECN	

D10100DA/14