



Chipsmall Limited consists of a professional team with an average of over 10 year of expertise in the distribution of electronic components. Based in Hongkong, we have already established firm and mutual-benefit business relationships with customers from,Europe,America and south Asia,supplying obsolete and hard-to-find components to meet their specific needs.

With the principle of “Quality Parts,Customers Priority,Honest Operation,and Considerate Service”,our business mainly focus on the distribution of electronic components. Line cards we deal with include Microchip,ALPS,ROHM,Xilinx,Pulse,ON,Everlight and Freescale. Main products comprise IC,Modules,Potentiometer,IC Socket,Relay,Connector.Our parts cover such applications as commercial,industrial, and automotives areas.

We are looking forward to setting up business relationship with you and hope to provide you with the best service and solution. Let us make a better world for our industry!



## Contact us

Tel: +86-755-8981 8866 Fax: +86-755-8427 6832

Email & Skype: info@chipsmall.com Web: www.chipsmall.com

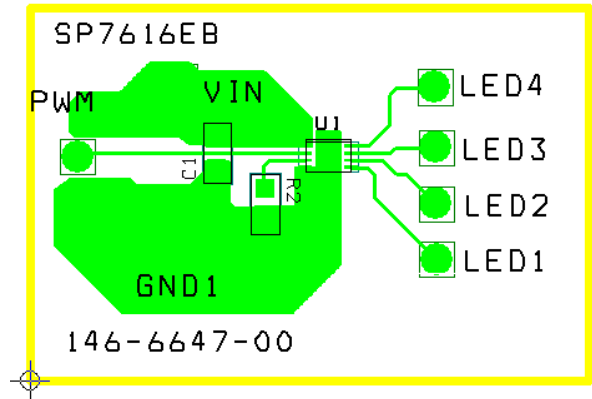
Address: A1208, Overseas Decoration Building, #122 Zhenhua RD., Futian, Shenzhen, China





# SP7616 Evaluation Board Manual

- LED Drivers for parallel connected LED
- Ultra Low Dropout Voltage of 150mV
- No EMI, no switching noise
- Integrated current matching
- PWM and Analog brightness control
- Enable/Shutdown control
- Shutdown current < 1μA



SP7616 Eval Board Top Side (not to scale)

## DESCRIPTION AND BOARD SCHEMATIC

This Evaluation Board is designed to help the user evaluate performance of the SP7616 for use as a LED Driver. The evaluation board is a completely assembled and tested surface mount board which provides easy probe access points to all inputs and outputs so that the user can quickly connect and measure electrical characteristics and waveforms. The Evaluation Board schematic diagram is shown in Figure 1. The SP7616 driver provides a simple solution for a matched current source for any color LED. The current in the LEDs is programmed by an external resistor. The SP7616 is capable of driving up to four LED chains from a source of up to 30Vin.

The evaluation board contains one SP7616 driver, and four locations to solder the led chains for ease of use. The user will need to supply an active high PWM signal or an external power supply with at least 2.5V volts to turn the Sp7616 driver on. (Note R2 on the PCB is referred to as Rset in the data sheet.)

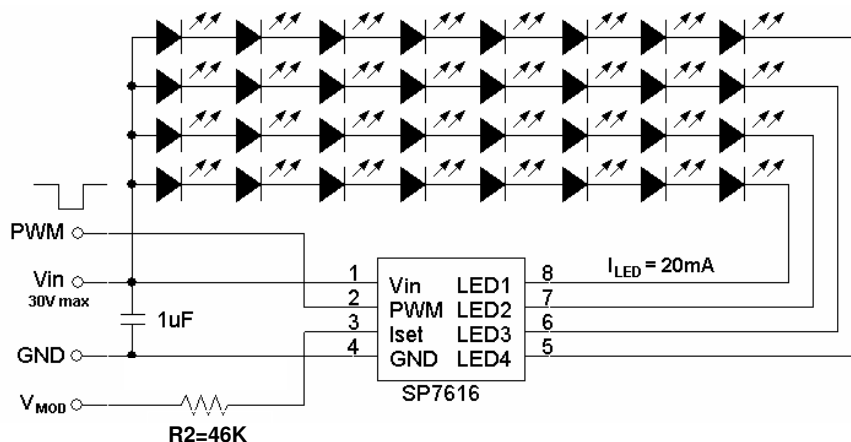


Figure 1. Evaluation Board Schematic Diagram for SP7616

## USING THE EVALUATION BOARD

### 1) Vin requirements and PWM pin

The user of the SP7616 will need to supply Vin and an PWM signal that is active high. The PWM pin signal is a logic level signal and should range between 0 and 5V. The threshold is 2.4V for a logic high.

### 2) Setting the LED current

The LED current is set through the Iset resistor. The SP7616 provides an internal reference voltage that is set to 1V at the ISETPin (Pin3). RSET is then determined by using equation 1.

$$R2 = V_{ISET} * I_{MULT} / I_{LED} \text{ (k}\Omega\text{)}, \quad (1)$$

Where

V<sub>ISET</sub> is the internal reference (1V)

I<sub>MULT</sub> Current Multiplication Ratio

I<sub>LED</sub> is the desired Led current.

In example 1: For a 20mA LED current, the current set resistor should be

$$R2 = 1V * 920 / 20mA \text{ (k}\Omega\text{)},$$

$$R2 = 46K$$

### 3) LED dimming

#### PWM dimming

The LED dimming control is done through the PWM pin. The acceptable frequency range of this signal is 100Hz to 5 kHz. The acceptable duty cycle range of the signal is 10% to 90% at 1KHZ. When the PWM pin is driven low, only the LED current sources are disabled while the rest of the chip is still enabled. .

#### Analog dimming control

Besides digital PWM control, the LED current can be controlled continuously (from high to low LED current) by raising the voltage at the bottom of R<sub>SET</sub> from 0V to 1V maximum. R<sub>SET</sub> value may be determined from equation 1. Equation 2 shows the effect of using a V<sub>MOD</sub> in the circuit on the Led current

$$I_{LED} = (1V - V_{MOD}) * I_{MULT} / R_{SET} \text{ mA} \quad (2)$$

Where

1V typical I<sub>SET</sub> pin voltage

I<sub>MULT</sub> Current Multiplication Ratio

I<sub>LED</sub> is the desired Led current.

V<sub>MOD</sub> is the adjustment voltage

V<sub>MOD</sub> is an adjustment voltage applied to the bottom side of R2, 920 is a typical current multiplication ratio I<sub>MULT</sub>, and I<sub>LED</sub> is a required LED current in mA/channel. Figure 2 shows the location of the external V<sub>MOD</sub> source.

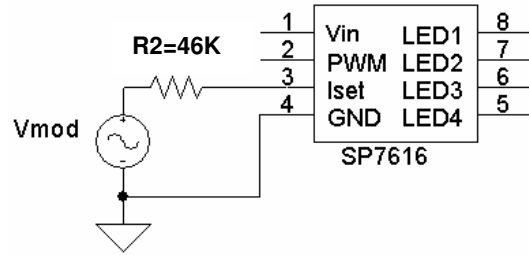


Figure 2

#### 4) EVALUATION BOARD LAYOUT

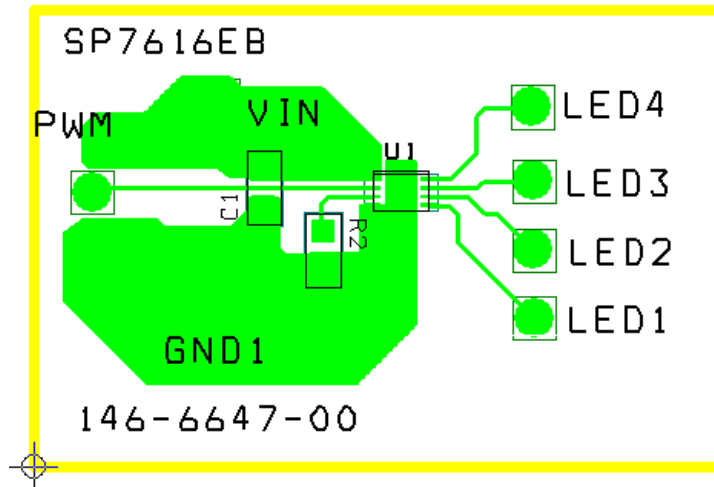


Figure 4. SP7616 Evaluation Board Layout top side (not an actual size)

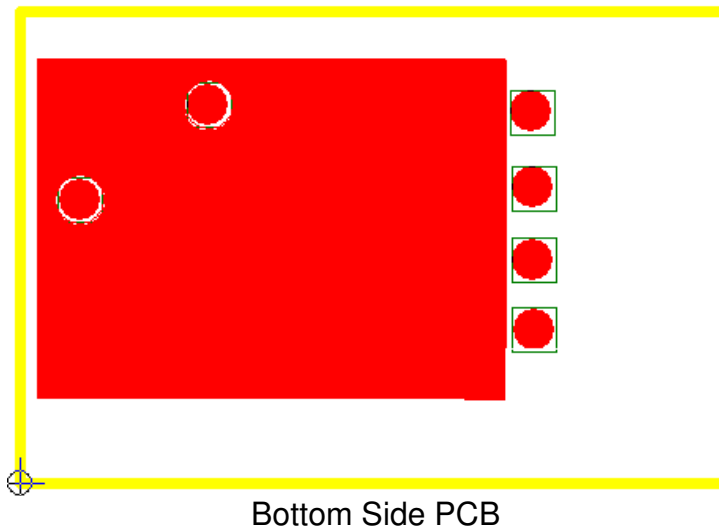


Figure 5. SP7616 Evaluation Board Layout bottom side (not an actual size)

Table 2. SP761X\_EB List of Materials

Count	Reference Designator	Value	Part Number	Manufacturer	Comments
1	U1		SP7616	SP7616	
1	C1	1uF	GRM21BR71H105KA12L	Murata	1uF 50V capacitor 805 size
1	R2 (RSET)	46K	CRCW06034602J	Vishay	
3	GND VIN PWM		K24C/M	Vector Electronic	Post for Vin PWM signal and GND

## ORDERING INFORMATION

Model	Temperature Range	Package Type
SP7616_EB.....	-40°C to +85°C.....	SP7616 Evaluation Board