



Chipsmall Limited consists of a professional team with an average of over 10 year of expertise in the distribution of electronic components. Based in Hongkong, we have already established firm and mutual-benefit business relationships with customers from,Europe,America and south Asia,supplying obsolete and hard-to-find components to meet their specific needs.

With the principle of "Quality Parts,Customers Priority,Honest Operation,and Considerate Service",our business mainly focus on the distribution of electronic components. Line cards we deal with include Microchip,ALPS,ROHM,Xilinx,Pulse,ON,Everlight and Freescale. Main products comprise IC,Modules,Potentiometer,IC Socket,Relay,Connector.Our parts cover such applications as commercial,industrial, and automotives areas.

We are looking forward to setting up business relationship with you and hope to provide you with the best service and solution. Let us make a better world for our industry!



## Contact us

Tel: +86-755-8981 8866 Fax: +86-755-8427 6832

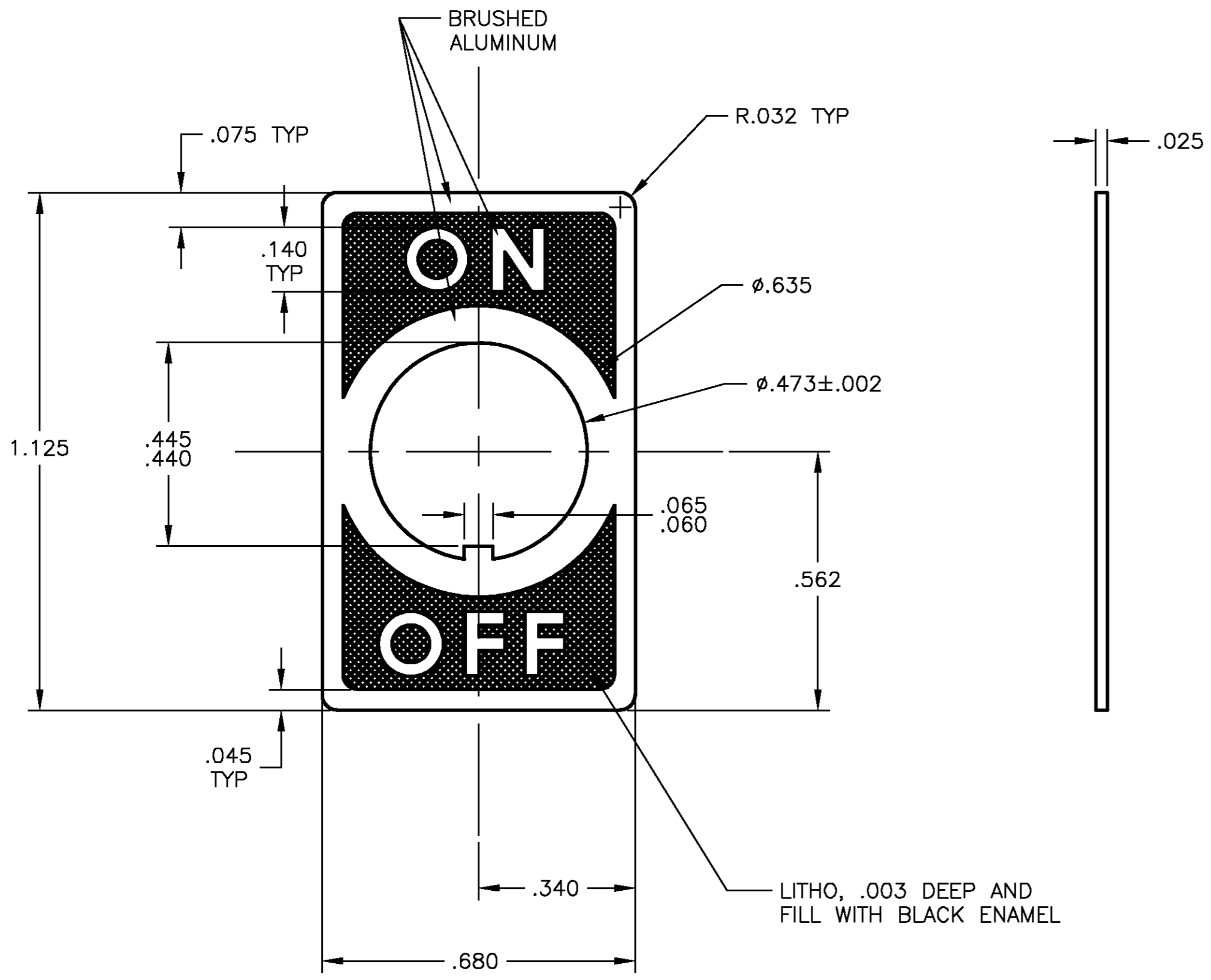
Email & Skype: info@chipsmall.com Web: www.chipsmall.com

Address: A1208, Overseas Decoration Building, #122 Zhenhua RD., Futian, Shenzhen, China

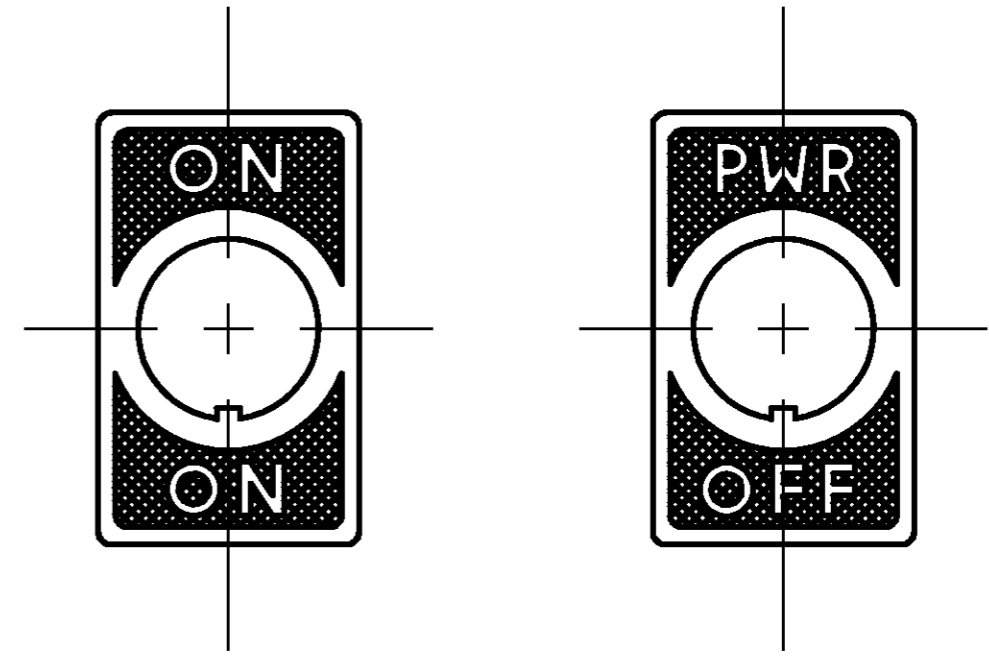


THIS DRAWING IS UNPUBLISHED. RELEASED FOR PUBLICATION  
 © COPYRIGHT BY TYCO ELECTRONICS CORPORATION. ALL RIGHTS RESERVED.

LOC		DIST		REVISIONS			
P	LTR	DESCRIPTION		DATE	DWN	APVD	
	A	REV PER OG3C-0242-02		19NOV02	RB	MZ	



SPA-42



SCALE 2:1

SPA-43	2-1437628-7
SPA-42	2-1437628-6
SPA-41	2-1437628-5
ALCO PT. NO.	TYCO PT. NO.

THIS DRAWING IS A CONTROLLED DOCUMENT.		DWN R BROWN 19NOV02	Tyco Electronics Corporation Harrisburg, PA	
DIMENSIONS: INCHES		CHK M ZITTO 19NOV02	NAME SWITCH PLATE SPA 41, 42 & 43	
TOLERANCES UNLESS OTHERWISE SPECIFIED:		APVD M ZITTO 19NOV02	SIZE A2	CAGE CODE 00779
0 PLC ± -	1 PLC ± -	PRODUCT SPEC	DRAWING NO C-2-1437628-5	RESTRICTED TO
2 PLC ± -	3 PLC ± .005	APPLICATION SPEC	SCALE 4:1	SHEET 1 OF 1
4 PLC ± -	ANGLES ± -	WEIGHT	REV A	
MATERIAL	FINISH	CUSTOMER DRAWING		

2-1437628-5