



Chipsmall Limited consists of a professional team with an average of over 10 year of expertise in the distribution of electronic components. Based in Hongkong, we have already established firm and mutual-benefit business relationships with customers from,Europe,America and south Asia,supplying obsolete and hard-to-find components to meet their specific needs.

With the principle of “Quality Parts,Customers Priority,Honest Operation,and Considerate Service”,our business mainly focus on the distribution of electronic components. Line cards we deal with include Microchip,ALPS,ROHM,Xilinx,Pulse,ON,Everlight and Freescale. Main products comprise IC,Modules,Potentiometer,IC Socket,Relay,Connector.Our parts cover such applications as commercial,industrial, and automotives areas.

We are looking forward to setting up business relationship with you and hope to provide you with the best service and solution. Let us make a better world for our industry!



## Contact us

Tel: +86-755-8981 8866 Fax: +86-755-8427 6832

Email & Skype: info@chipsmall.com Web: www.chipsmall.com

Address: A1208, Overseas Decoration Building, #122 Zhenhua RD., Futian, Shenzhen, China





# SPC301 O-ring (gasket) ID Ø.301" (7.6mm) Panel Mount Indicator



O-ring (gasket) designed to seal against water, oil, air and dust.  
For L65 Series

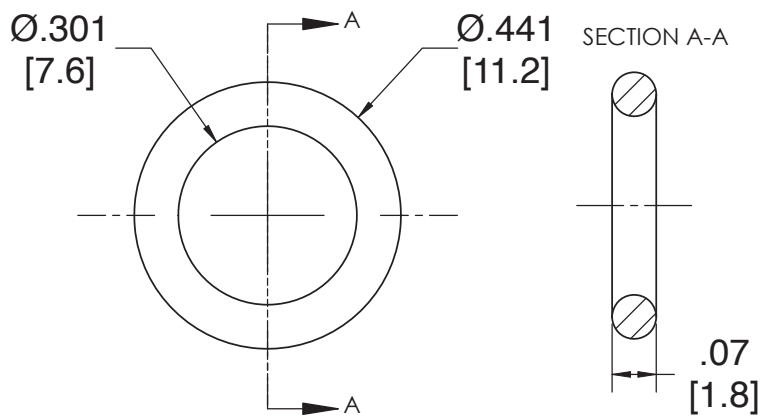
## Applications

- Humid or dusty environments
- When there is presence of oil, grease, fluid, water or dirt

## Key Features

- The panel gasket is intended to provide a seal between the panel and the Panel Mount Indicator.
- Molded in one piece from an elastomeric (rubber-like) material.
- Designed to seal many types of media, including water, air, dust, and oil.
- Meets ASTM D2000 standard.

## Product Dimensions



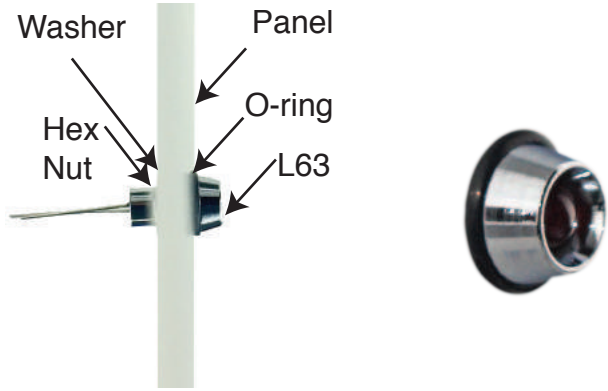
Dimensions in inches [mm]

## Ordering Data

Part Number **SPC301**



**SPC301**



Examples: SPC301 in L65 Panel Mount Indicators

## Product Specifications

Material
Buna-N, Durometer A70, black

Installation Specification	
Internal Diameter	0.301" (7.6 mm)
Thickness	0.07" (1.8 mm)
Operational Temperature	-20°F to +250°F -28.9°C to +121.1°C

## Compliances and Approvals

