



Chipsmall Limited consists of a professional team with an average of over 10 year of expertise in the distribution of electronic components. Based in Hongkong, we have already established firm and mutual-benefit business relationships with customers from,Europe,America and south Asia,supplying obsolete and hard-to-find components to meet their specific needs.

With the principle of “Quality Parts,Customers Priority,Honest Operation,and Considerate Service”,our business mainly focus on the distribution of electronic components. Line cards we deal with include Microchip,ALPS,ROHM,Xilinx,Pulse,ON,Everlight and Freescale. Main products comprise IC,Modules,Potentiometer,IC Socket,Relay,Connector.Our parts cover such applications as commercial,industrial, and automotives areas.

We are looking forward to setting up business relationship with you and hope to provide you with the best service and solution. Let us make a better world for our industry!



Contact us

Tel: +86-755-8981 8866 Fax: +86-755-8427 6832

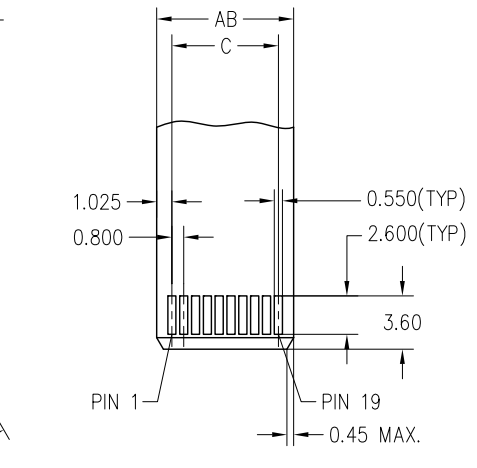
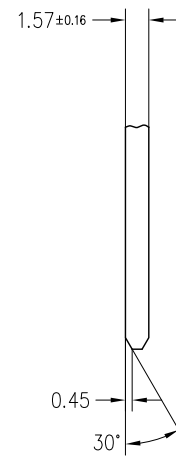
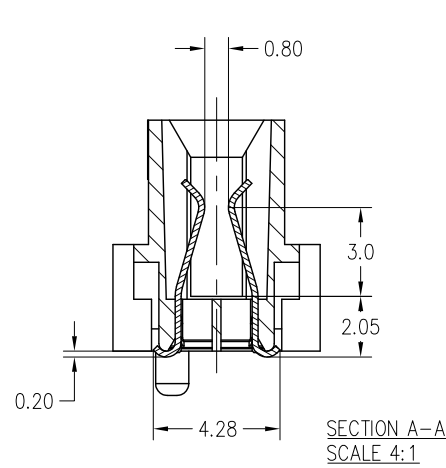
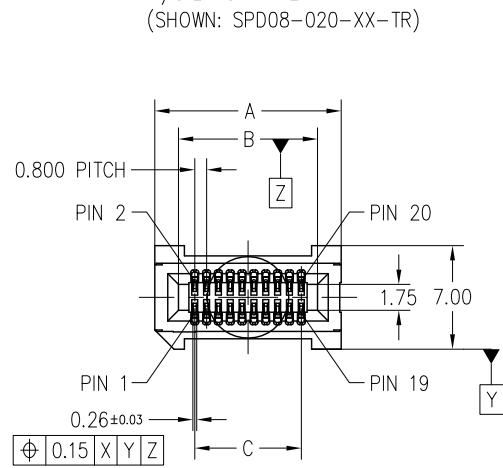
Email & Skype: info@chipsmall.com Web: www.chipsmall.com

Address: A1208, Overseas Decoration Building, #122 Zhenhua RD., Futian, Shenzhen, China



3M™ HIGH SPEED CARD-EDGE CONNECTOR, SPD08 SERIES

FIG. 1
FOR POSITIONS 020, 040, 060,
W/O LATCH TYPE
(SHOWN: SPD08-020-XX-TR)



- NOTES:
- MATERIAL:
HOUSING: GLASS FILLED LCP, BLACK, UL 94V-0
LATCH: GLASS FILLED LCP, BEIGE, UL 94V-0
CONTACT: COPPER ALLOY
SOLDER TAB: COPPER ALLOY
 - FINISH:
GOLD PLATING ON CONTACT WIPING AREA,
3~5um MATTE TIN ON SOLDER TAILS,
1.27um NICKEL UNDER PLATED.
 - RATING:
CURRENT: 3.0A, SINGLE CONTACT POWERED,
1.2A, ALL CONTACTS POWERED.
VOLTAGE: 250V AC
TEMPERATURE: -55 TO +125°C
PROCESS TEMP: 260°C MAX. (PROFILE PER J-STD-020C)
MOISTURE SENSITIVITY LEVEL: 1 (PER J-STD-020C)
CONTACT RESISTANCE: 20mΩ MAX.
CHARACTERISTIC IMPEDANCE: FOR USE WITH 100 Ω
OR 85 Ω DIFFERENTIAL-PAIR SYSTEMS, OR 50 Ω
SINGLE-ENDED SYSTEM.
BANDWIDTH: 15Gbps (RATED @ -3dB INSERTION LOSS,
30mm STACK HEIGHT BOARD TO BOARD APPLICATION)
 - ROHS COMPLIANT.
 - RECOMMENDED PACKAGING:
W/O LATCH TYPE: 20~160POS., T&R; 180~200POS., TRAY
WITH LATCH TYPE: 20~120POS., T&R; 140~200POS., TRAY
 - PART NUMBERING INFORMATION:

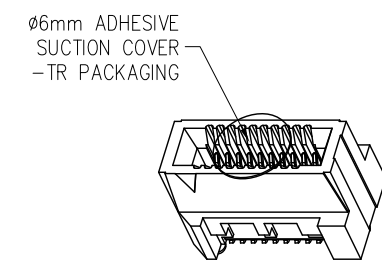
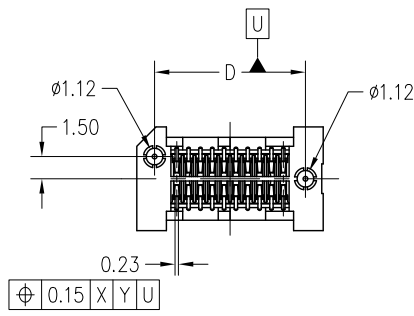
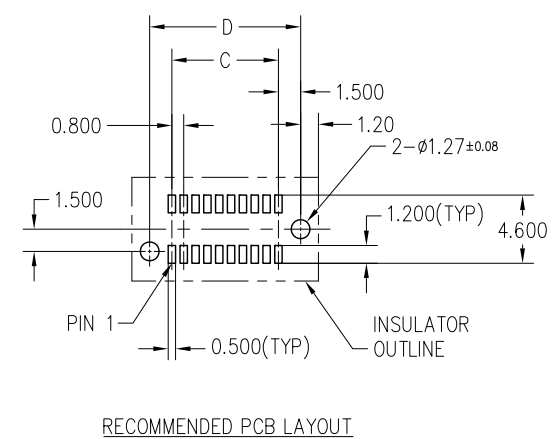
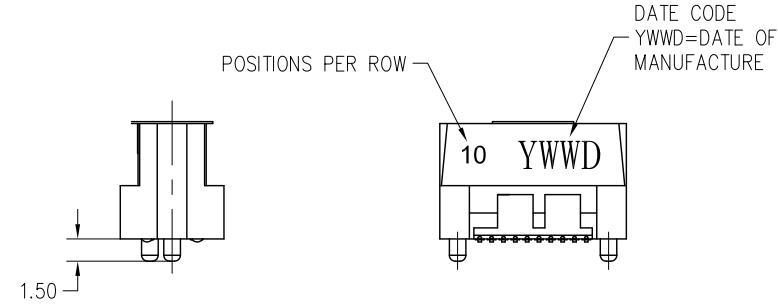
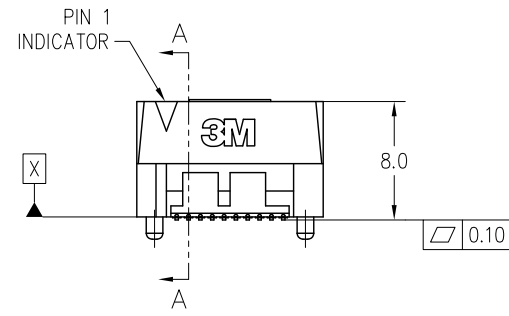
SPD08-XXX-X-XX-XX

NO. OF POSITIONS
020, 040, 060 (SEE FIG. 1, 3)
050, 080, 100, 120, 140, 160,
180, 200 (SEE FIG. 2, 4)

PACKAGING OPTION
BLANK= TRAY
TR= TAPE & REEL

PLATING OPTION
RB= 0.76um MIN. GOLD
RC= 0.38um MIN. GOLD
RA= 0.25um MIN. GOLD

LATCHING OPTION
BLANK= W/O LATCH (SEE FIG. 1, 2)
L = WITH LATCH (SEE FIG. 3, 4)

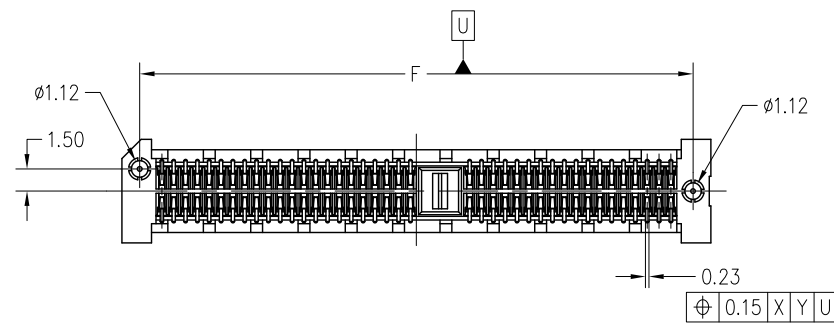
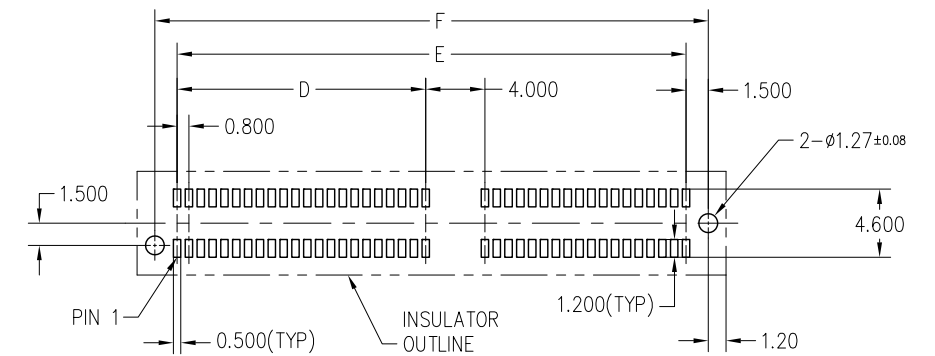
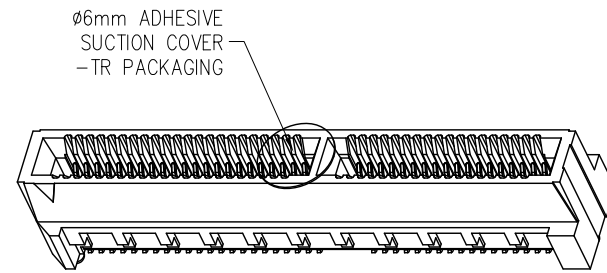
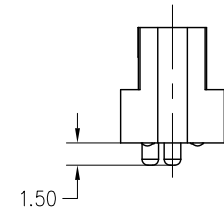
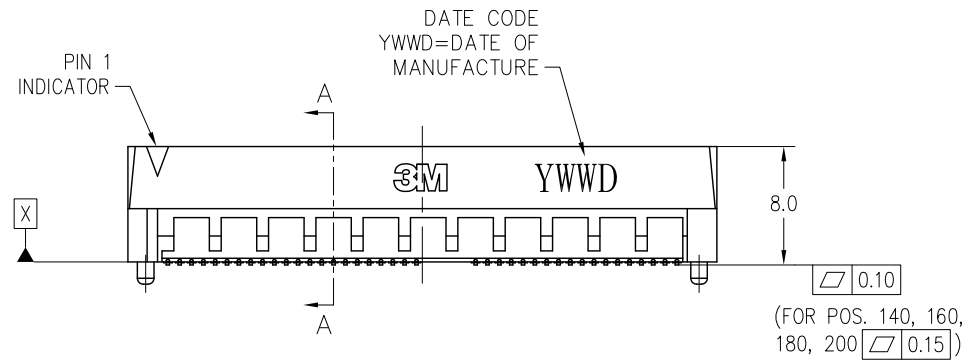
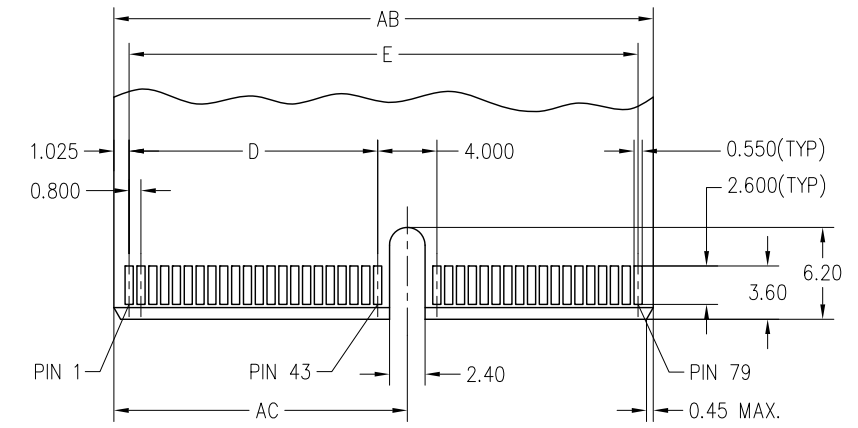
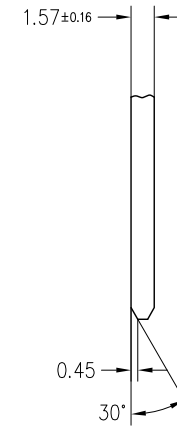
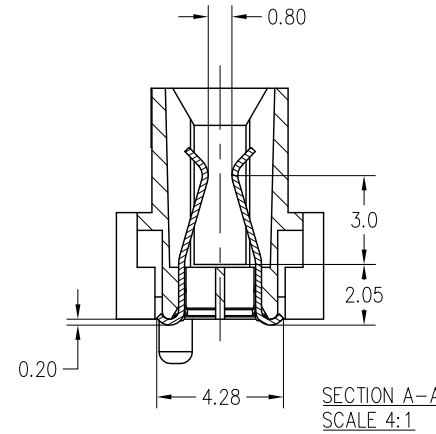
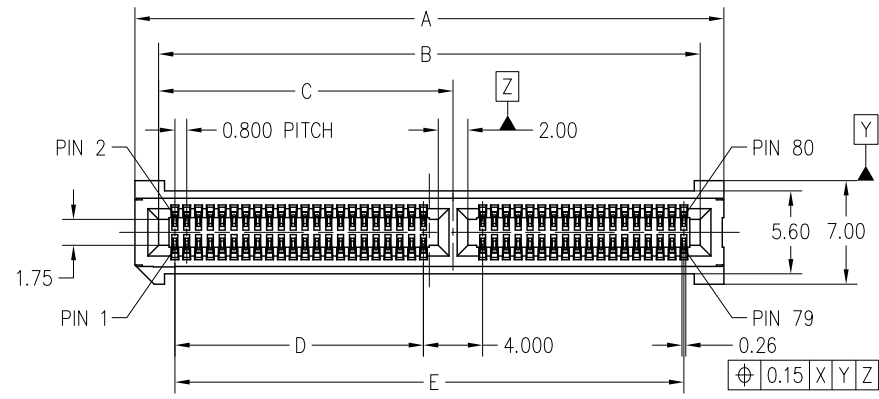


POSITIONS	DIMENSIONS				
	A	B	C	D	AB
20	12.60	9.40	7.200	10.20	9.25
40	20.60	17.40	15.200	18.20	17.25
60	28.60	25.40	23.200	26.20	25.25

DESIGN REFERENCE	NEXT ASSEMBLY	B	16 JUL 2013	KDLIU	KDLIU
DISTRIBUTION CODES		A	11 MAY 2011	KDLIU	KDLIU
DRFT	K.D. LIU	DATE	05/11/11	MFG	DATE
CHKD		DATE		APPLY	DATE
DIVISION	ESD	DIVISION CODE		© 3M COPYRIGHT	
DO NOT SCALE DRAWING	SCALE 2:1	TOLERANCES EXCEPT AS NOTED	This document is the copyrighted property of the 3M Company and may not be reproduced without 3M written permission or used for other than 3M authorized purposes.		
THIRD ANGLE PROJECTION	INTERPRET PER ASME Y14.5 - 1994	INCHES .0 ± .00 ± .000 ± .0000 ±	TITLE SPD08 HIGH SPEED CARD EDGE CONNECTOR, 0.8MM PITCH SMT		
MAX SURFACE ROUGHNESS ☐ ALL SURFACES ☑ MARKED ONLY	ANGLES ± 3'	MILLIMETERS 0 ± 0.50 .0 ± 0.20 .00 ± 0.10 .000 ± 0.05	CAGE NUMBER	SIZE	DRAWING NO.
			78-5100-2420-7	REV. B	
			MODEL	DET. LISTS	☐ YES ☐ NO
				SHT 1 OF 4	

3M™ HIGH SPEED CARD-EDGE CONNECTOR, SPD08 SERIES

FIG. 2
FOR POSITIONS 050, 080, 100, 120,
140, 160, 180, 200, W/O LATCH TYPE
(SHOWN: SPD08-080-XX-TR)

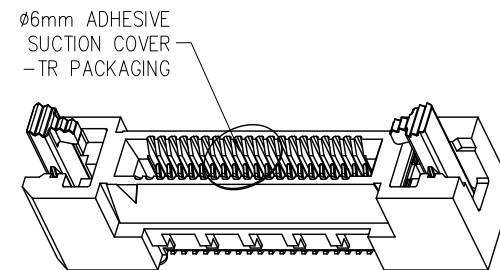
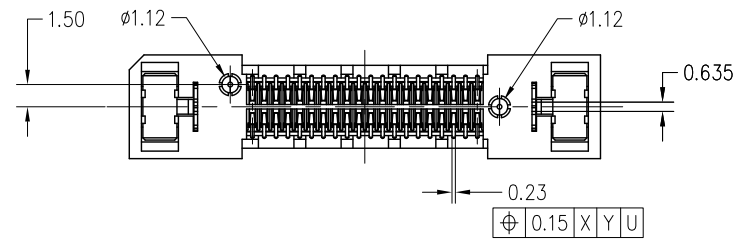
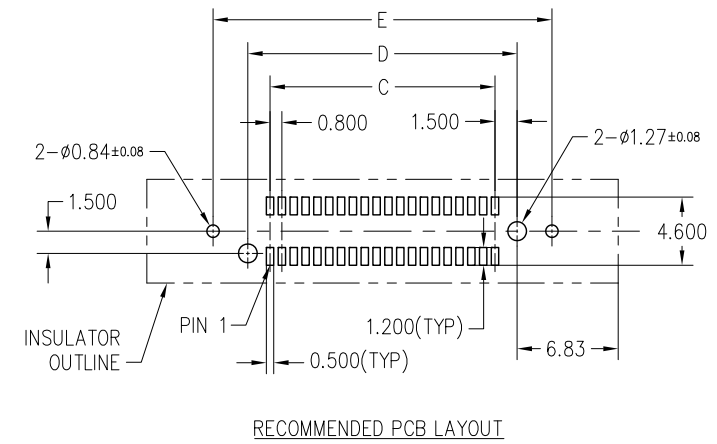
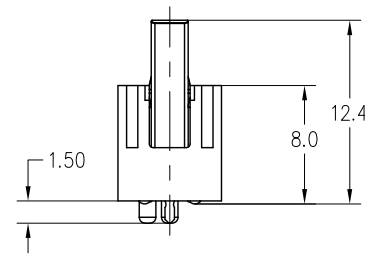
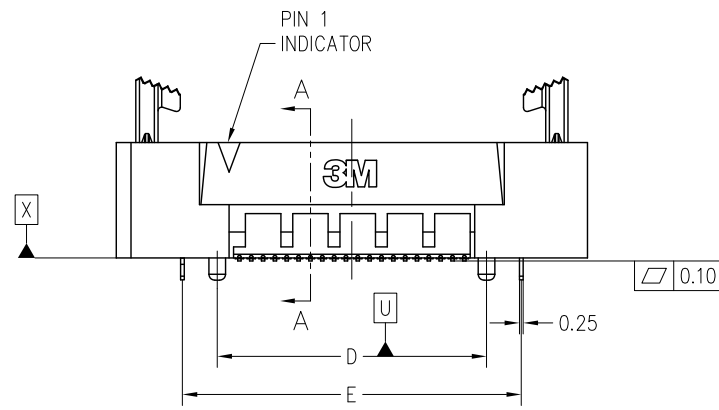
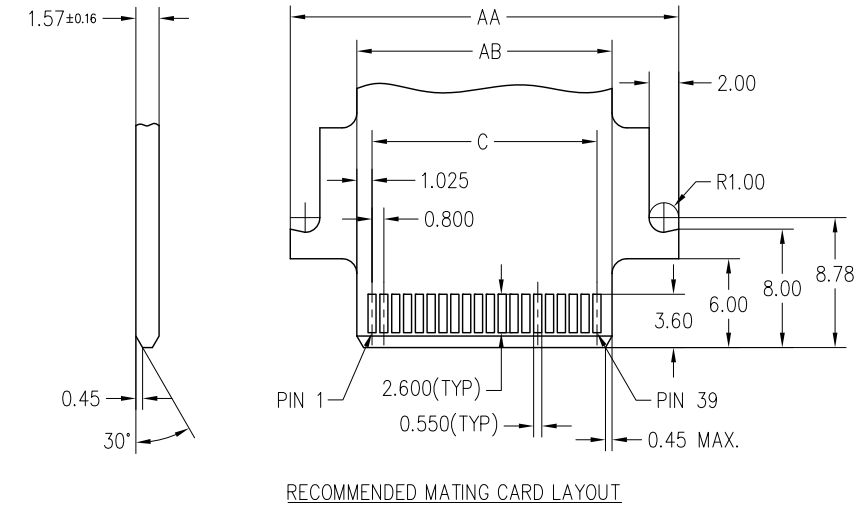
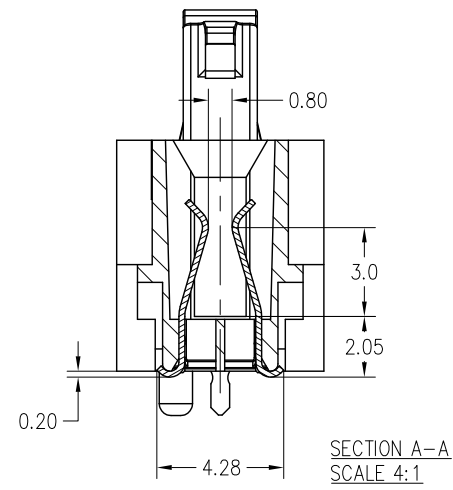
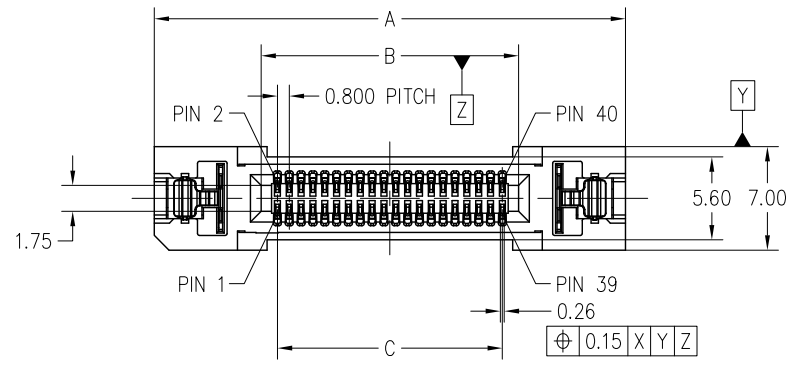


POSITIONS	DIMENSIONS							
	A	B	C	D	E	F	AB	AC
50	27.80	24.60	7.10	4.000	22.400	25.40	24.45	7.025
80	39.80	36.60	19.90	16.800	34.400	37.40	36.45	19.825
100	47.80	44.60	23.90	20.800	42.400	45.40	44.45	23.825
120	55.80	52.60	27.90	24.800	50.400	53.40	52.45	27.825
140	63.80	60.60	27.90	24.800	58.400	61.40	60.45	27.825
160	71.80	68.60	27.90	24.800	66.400	69.40	68.45	27.825
180	79.80	76.60	27.90	24.800	74.400	77.40	76.45	27.825
200	87.80	84.60	27.90	24.800	82.400	85.40	84.45	27.825

DESIGN REFERENCE	NEXT ASSEMBLY	REV	ECO	ISSUE DATE AND DESCRIPTION		DRFT	CHKD
DISTRIBUTION CODES		DRFT	K.D. LIU	DATE	05/11/11	MFG	DATE
		CHKD		DATE		APPLY	DATE
DIVISION	ESD	DIVISION CODE		© 3M COPYRIGHT			
DO NOT SCALE DRAWING	SCALE 2:1	TOLERANCES EXCEPT AS NOTED		This document is the copyrighted property of the 3M Company and may not be reproduced without 3M written permission or used for other than 3M authorized purposes.			
		INCHES		TITLE			
		.0 ±		SPD08 HIGH SPEED CARD EDGE CONNECTOR, 0.8MM PITCH SMT			
		.00 ±					
		.000 ±		CAGE NUMBER	SIZE C	DRAWING NO.	REV. B
		.0000 ±		78-5100-2420-7			
		MILLIMETERS		MODEL		DET. LISTS	YES NO
		0 ± 0.50					SHT 2 OF 4
		.0 ± 0.20					
		.00 ± 0.10					
		.000 ± 0.05					
		ANGLES ± 3'					

3M™ HIGH SPEED CARD-EDGE CONNECTOR, SPD08 SERIES

FIG. 3
FOR POSITIONS 020, 040, 060,
WITH LATCH TYPE
(SHOWN: SPD08-040-L-XX-TR)

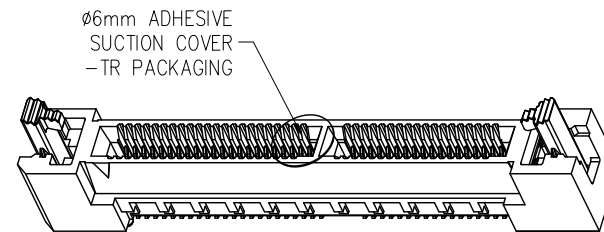
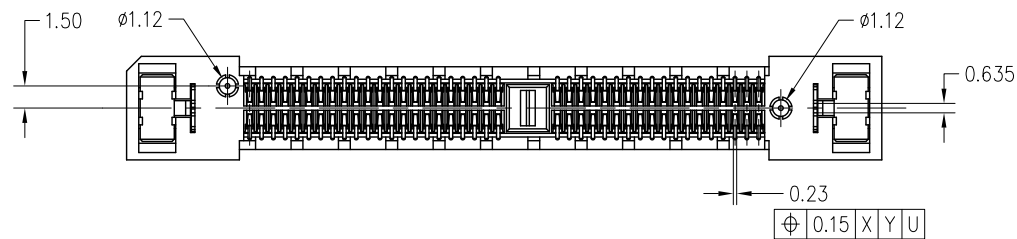
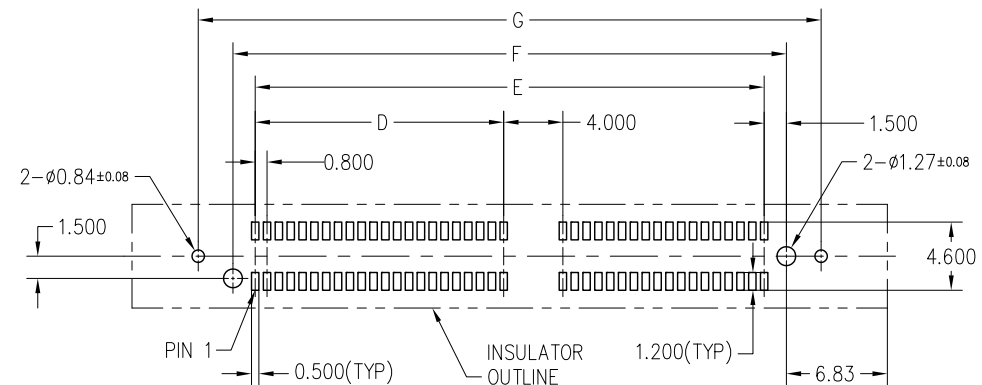
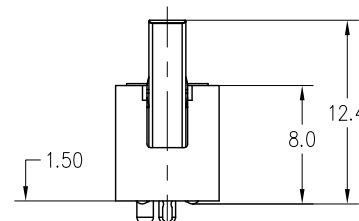
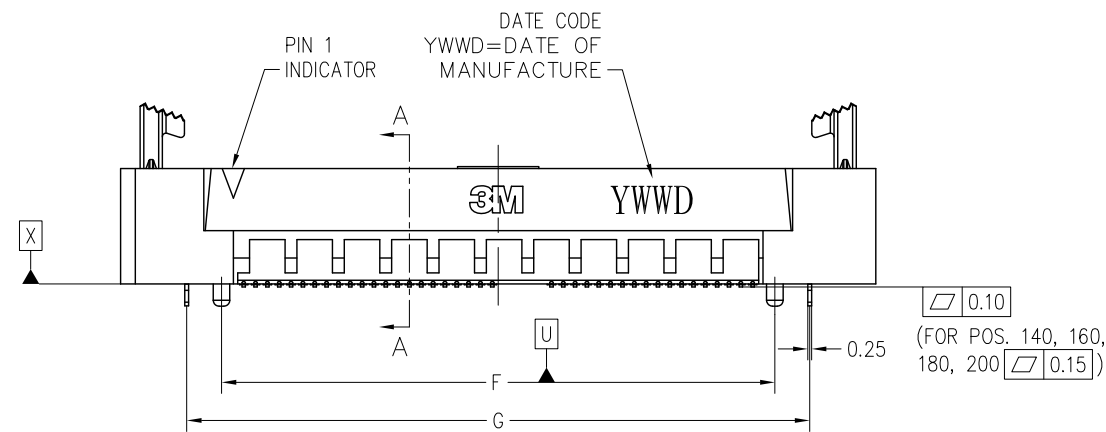
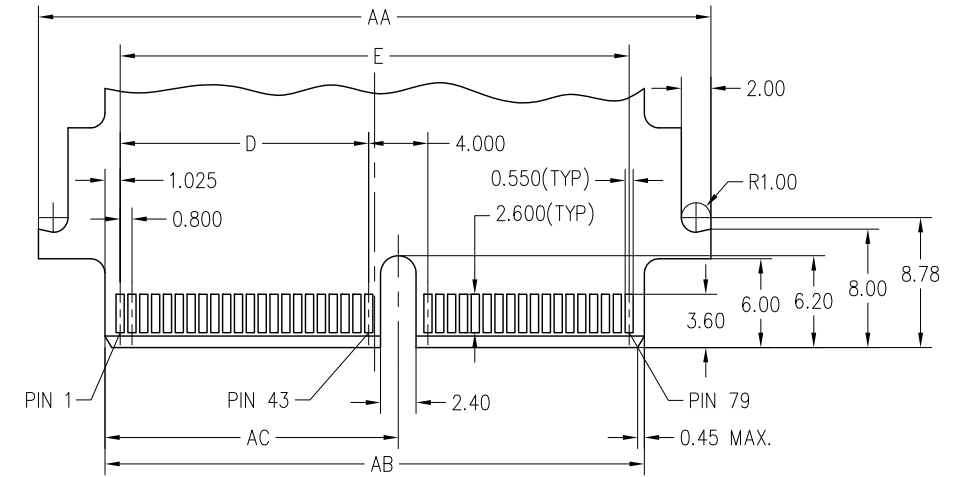
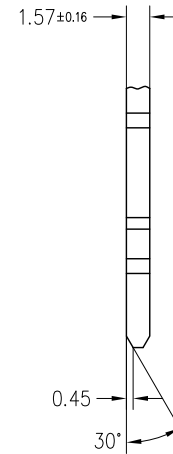
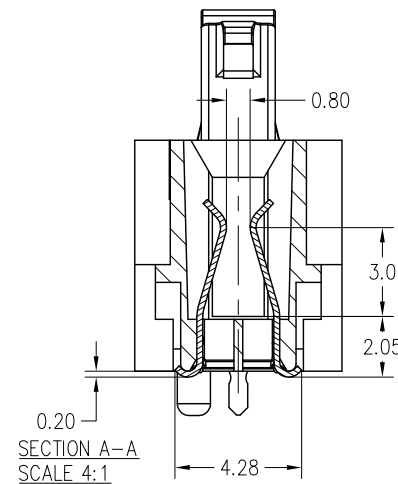
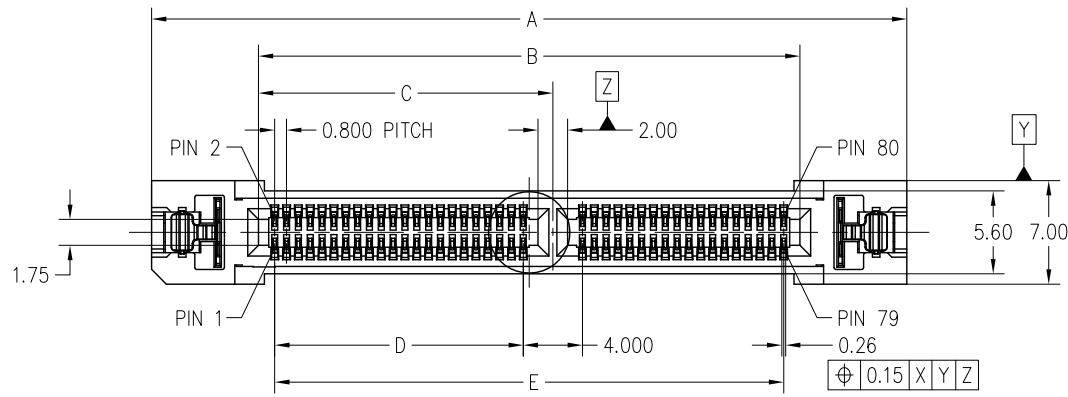


POSITIONS	DIMENSIONS						
	A	B	C	D	E	AA	AB
20	23.85	9.40	7.200	10.20	14.90	18.25	9.25
40	31.85	17.40	15.200	18.20	22.90	26.25	17.25
60	39.85	25.40	23.200	26.20	30.90	34.25	25.25

DESIGN REFERENCE	NEXT ASSEMBLY	REV	ECO	ISSUE DATE AND DESCRIPTION	DRFT	CHKD
DISTRIBUTION CODES		DRFT	K.D. LIU	DATE 05/11/11	MFG	DATE
		CHKD		DATE	APPLY	DATE
DIVISION ESD	DIVISION CODE	© 3M COPYRIGHT This document is the copyrighted property of the 3M Company and may not be reproduced without 3M written permission or used for other than 3M authorized purposes.				
DO NOT SCALE DRAWING	SCALE 2:1	TOLERANCES EXCEPT AS NOTED INCHES .0 ± .00 ± .000 ± .0000 ± MILLIMETERS 0 ± 0.50 .0 ± 0.20 .00 ± 0.10 .000 ± 0.05 ANGLES ± 3°				
THIRD ANGLE PROJECTION	INTERPRET PER ASME Y14.5 - 1994	TITLE SPD08 HIGH SPEED CARD EDGE CONNECTOR, 0.8MM PITCH SMT				
MAX SURFACE ROUGHNESS	<input type="checkbox"/> ALL SURFACES <input checked="" type="checkbox"/> MARKED ONLY	CAGE NUMBER	SIZE C	DRAWING NO. 78-5100-2420-7	REV. B	
		MODEL		DET. LISTS	<input type="checkbox"/> YES <input type="checkbox"/> NO	SHT 3 OF 4

3M™ HIGH SPEED CARD-EDGE CONNECTOR, SPD08 SERIES

FIG. 4
FOR POSITIONS 050, 080, 100, 120,
140, 160, 180, 200, WITH LATCH TYPE
(SHOWN: SPD08-080-L-XX-TR)



POSITIONS	DIMENSIONS									
	A	B	C	D	E	F	G	AA	AB	AC
50	39.05	24.60	7.10	4.000	22.400	25.40	30.10	33.45	24.45	7.025
80	51.05	36.60	19.90	16.800	34.400	37.40	42.10	45.45	36.45	19.825
100	59.05	44.60	23.90	20.800	42.400	45.40	50.10	53.45	44.45	23.825
120	67.05	52.60	27.90	24.800	50.400	53.40	58.10	61.45	52.45	27.825
140	75.05	60.60	27.90	24.800	58.400	61.40	66.10	69.45	60.45	27.825
160	83.05	68.60	27.90	24.800	66.400	69.40	74.10	77.45	68.45	27.825
180	91.05	76.60	27.90	24.800	74.400	77.40	82.10	85.45	76.45	27.825
200	99.05	84.60	27.90	24.800	82.400	85.40	90.10	93.45	84.45	27.825

DESIGN REFERENCE	NEXT ASSEMBLY	REV	ECO	ISSUE DATE AND DESCRIPTION	DRFT	CHKD
DISTRIBUTION CODES		DRFT	K.D. LIU	DATE 05/11'11	MFG	DATE
		CHKD		DATE	APPLY	DATE
DIVISION ESD	DIVISION CODE	© 3M COPYRIGHT This document is the copyrighted property of the 3M Company and may not be reproduced without 3M written permission or used for other than 3M authorized purposes.				
DO NOT SCALE DRAWING	SCALE 2:1	TOLERANCES EXCEPT AS NOTED INCHES .0 ± .00 ± .000 ± .0000 ± MILLIMETERS 0 ± 0.50 .0 ± 0.20 .00 ± 0.10 .000 ± 0.05 ANGLES ± 3°				
THIRD ANGLE PROJECTION	INTERPRET PER ASME Y14.5 - 1994	TITLE SPD08 HIGH SPEED CARD EDGE CONNECTOR, 0.8MM PITCH SMT				
MAX SURFACE ROUGHNESS	<input type="checkbox"/> ALL SURFACES <input checked="" type="checkbox"/> MARKED ONLY	CAGE NUMBER	SIZE C	DRAWING NO. 78-5100-2420-7	REV. B	
		MODEL		DET. LISTS	<input type="checkbox"/> YES <input type="checkbox"/> NO	SHT 4 OF 4